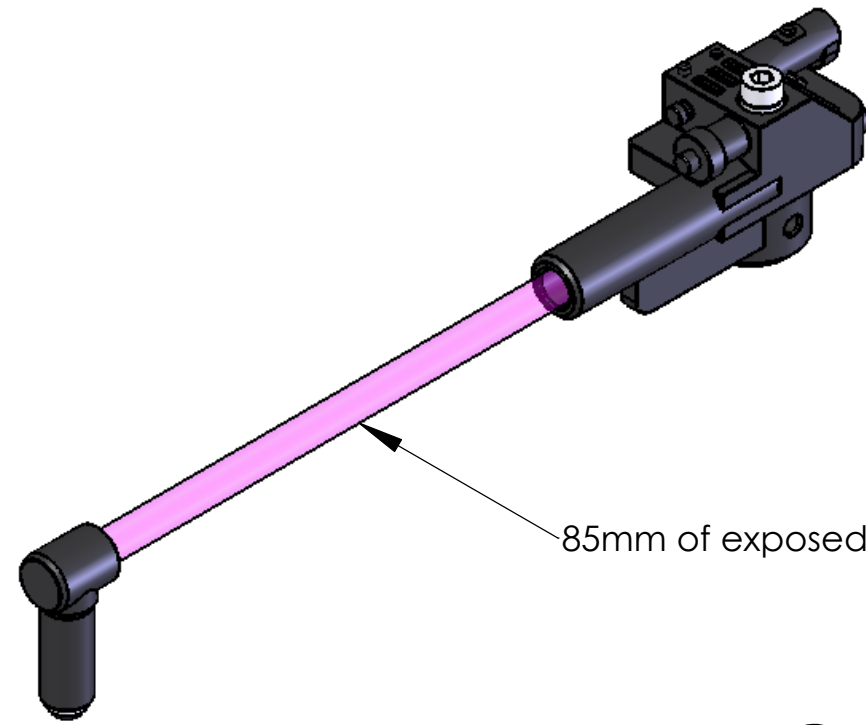
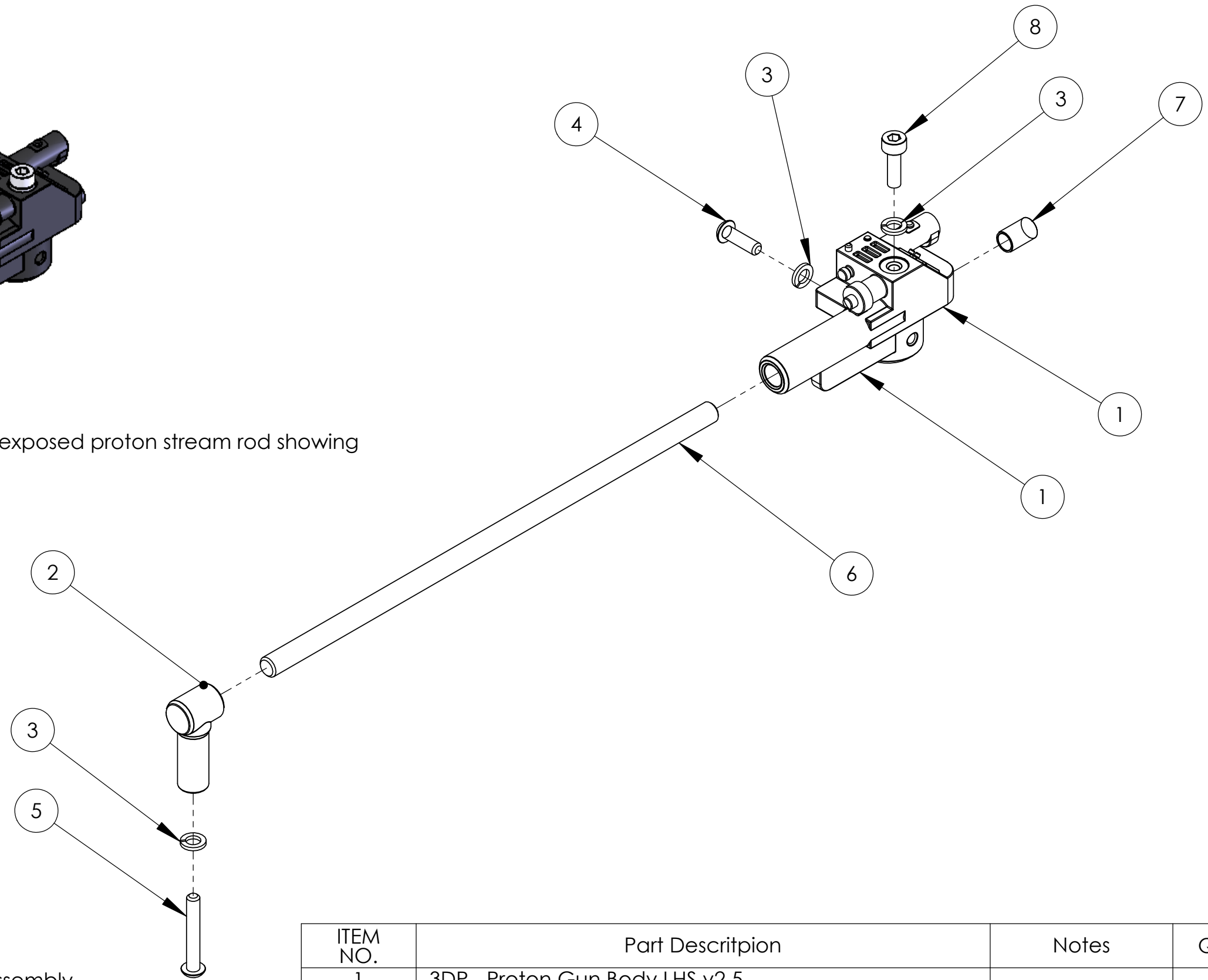


GB - Proton Gun

Left Proton Gun Assembly



85mm of exposed proton stream rod showing



Notes:

- Item 4 locks the gun to the pivot shaft - refer to another assembly
- Item 5 locks the nozzle to the acrylic Proton Stream
- Item 6 is clear though showing pink in it's lit up stage
- Item 7 the proton led is passed through before soldering - drawing does not show wiring - it is pre-wired
- Item 8 locks the Proton Stream length in place

Ensure Spring washers and nip up bolts so to avoid stripping of threads and cracking of parts

ITEM NO.	Part Description	Notes	QTY.
1	3DP - Proton Gun Body LHS v2.5		1
2	3DP - Proton Stream Nozzle v2		1
3	Washer - 3mm Spring - Zinc		3
4	Button Screw - 3mm x 10mm Allen Headed - Black		1
5	Button Screw - 3mm x 20mm Allen Headed - Black		1
6	AR - Proton Stream Bar LHS v2	Dia 5 x 142mm	1
7	3DP - Bulb Lock		1
8	Cap Screw - 3mm x 10mm Allen Headed - SS		1