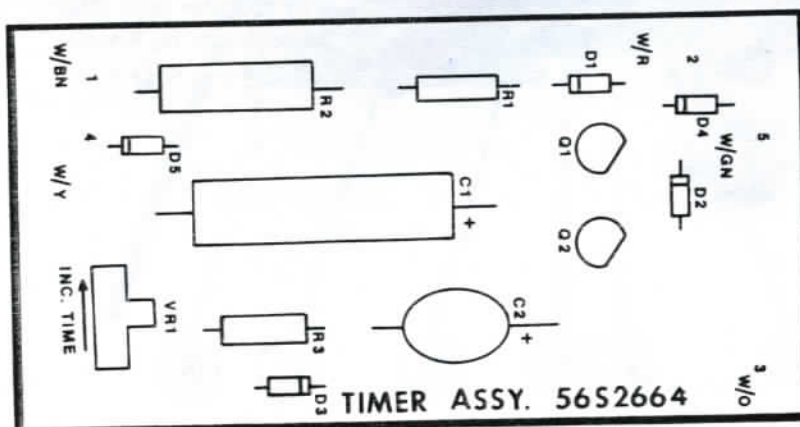
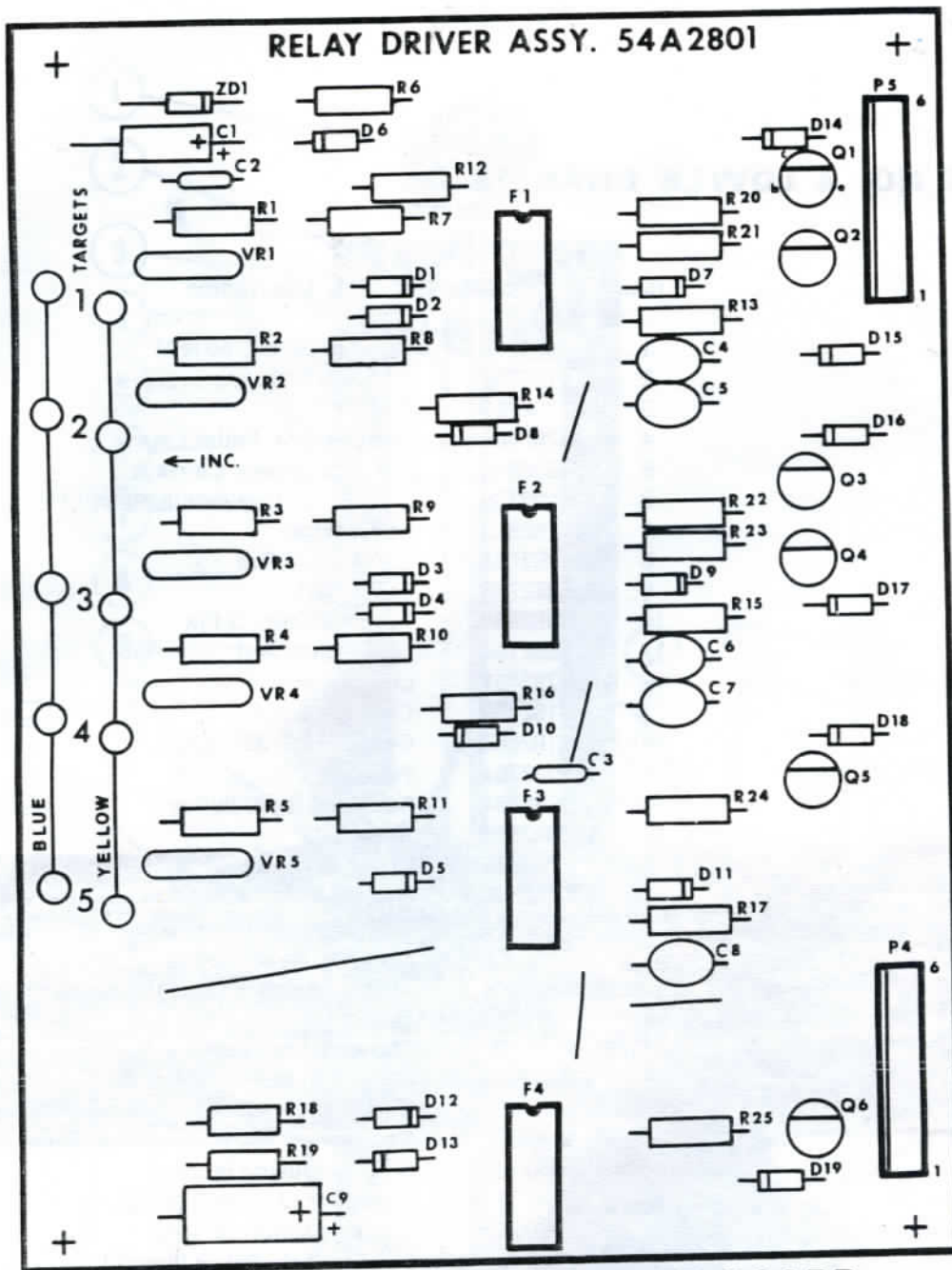


## FIGURE NO. 4 LOWER CHASSIS

Item	Part Number	Description
1	20S2752	Carriage Motor, 60 RPM
2	11S2750	Carriage Bracket
3	12S2751	Pulley
4	17R2451	Limit Switch, Roller Lever
5	15S2880	Harness, Blower Carriage
6	32R2306	Blower Carriage Retaining Bolt (4)
7	01R2910	Lower Rope
8	12S2753	Lower Slide Rod
9	52S2748	Lower Rail
10	30R2594	Terminal Strip, 3 Pin
11	12S2754	Upper Slide Rod
12	17R2451	Limit Switch, Roller Lever
13	11S2750	Carriage Bracket
14	31R2667	Cotter Pin 3/32" x 3/4"
15	12S2751	Pulley
16	31R2864	Retaining Ring, Pulley
17	30R2856	Wheel, 1 1/4"
18	12S2754	Upper Slide Rod
19	07R2848	Nylon Bearing (6)
20	17R2451	Limit Switch, Roller Lever
21	31R2865	Spring Clip, Blower Housing
22	07R2847	Blower Shroud, Both Halves
23	07R2846	Blower Rotor, 3/4" Dia. Shaft.
24	07R2849	Blower Tube, 1 3/8" x 4"
25	07S2772	Sight Ring
26	30R509	Whistle Clamp
27	29R2858	Whistle
28	11S2755	Blower Housing Bracket
29	25R974	Capacitor (2) 1 MFD 100V
30	20S2752	Carriage Motor, 60 RPM
31	17R2451	Limit Switch, Roller Lever
32	52L2749	Slide Mount
33	20R2747	Blower Motor 8000 RPM
34	11S2756	Motor Mounting Bracket
35	25R974	Capacitor 1 MFD 100v

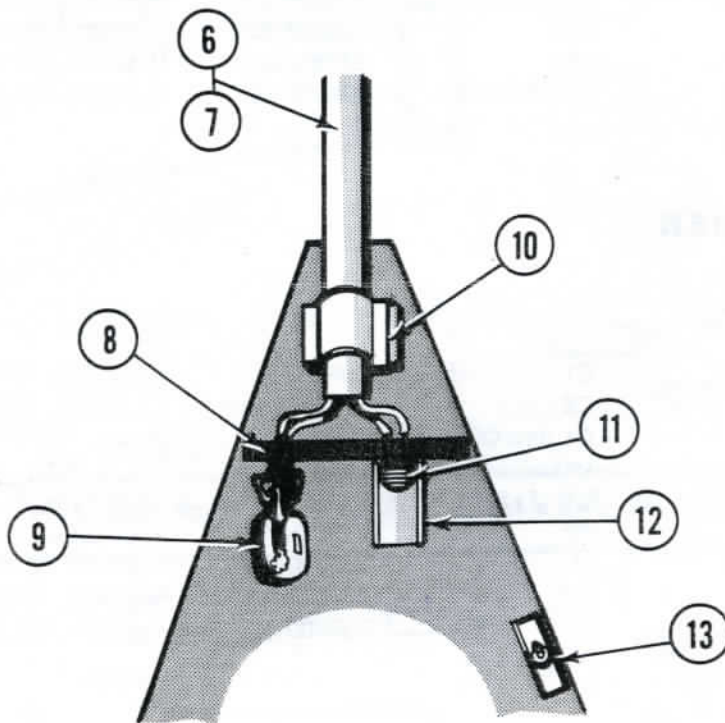
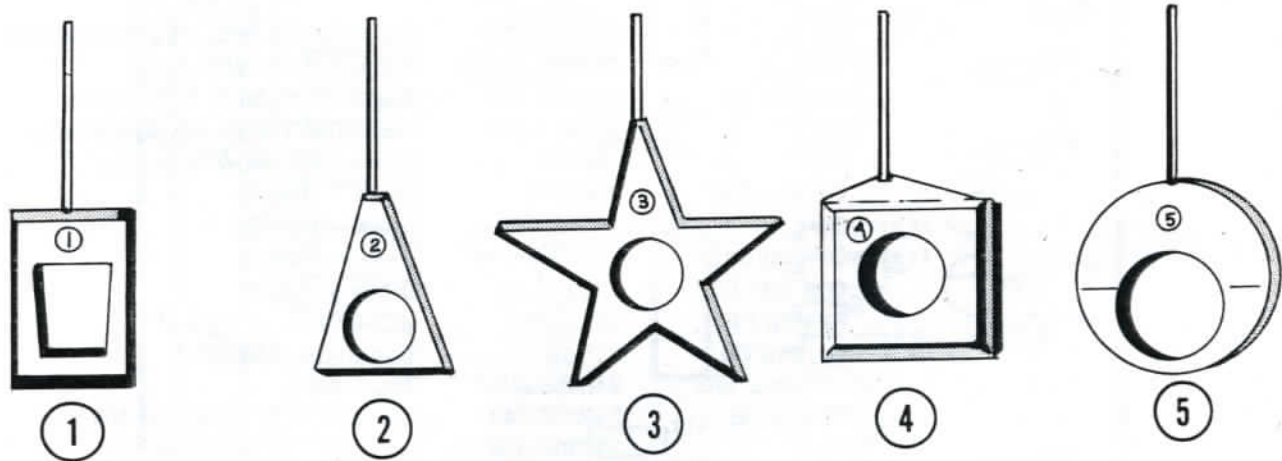


## FIGURE 5, RELAY DRIVER

Item	Part Number	Description
C1	25R511-410	Capacitor 25 MFD, 15V Electrolytic
C2, C3	25R986-129	Capacitor .01 MFD, Disc
C4 thru C8	25R510-125	Capacitor .1 MFD, 100v Mylar
C9	25R511-400	Capacitor 1 MFD, 15v Electrolytic
ZD1	19R477	Diode - MZ1000-7 5.6v, 1w
D1 thru D5	19R2016	Diode - 1N4148
D6	19R417	Diode - 1N5059
D7 thru D13	19R2016	Diode - 1N4148
D14 thru D19	19R417	Diode - 1N5059
F1 thru F4	22R2799	MC14001CL
Q1 thru Q6	21R2824	Transistor, 2N5307
VR1 thru VR5	24R469-003	Pot, 1 MEG.
R1 thru R5	23R300-340	Resistor, 2.2K OHM. ½w 10%
R6	23R300-326	Resistor, 150 OHM. ½w 10%
R7 thru R11	23R300-360	Resistor, 22K OHM. ½w 10%
R12	23R300-352	Resistor, 100K OHM. ½w 10%
R13 thru R17	23R300-368	Resistor, 470K OHM. ½w 10%
R18	23R300-364	Resistor, 220K OHM. ½w 10%
R19	23R300-348	Resistor, 10K OHM. ½w 10%
R20 thru R25	23R300-350	Resistor, 15K OHM. ½w 10%

## FIGURE 6, TIMER

C1	25R515-307	Capacitor, 100 MFD, 50v Electrolytic
C2	25R2565-002	Capacitor, 22 MFD, 35v, Tantalum
D1 thru D5	19R417	Diode, 1N5059
VR1	24R467-003	Pot, 1 MEG
Q1	21R474	Transistor, 2N3566
Q2	21R418	Transistor, 2N3568
R1	23R300-144	Resistor, 68 OHM. ½w 10%
R2	23R723-006	Resistor, 1K OHM. 5w 5%
R3	23R300-212	Resistor, 47K OHM. ½w 10%



**FIGURE 7, TARGETS AND COMPONENTS**