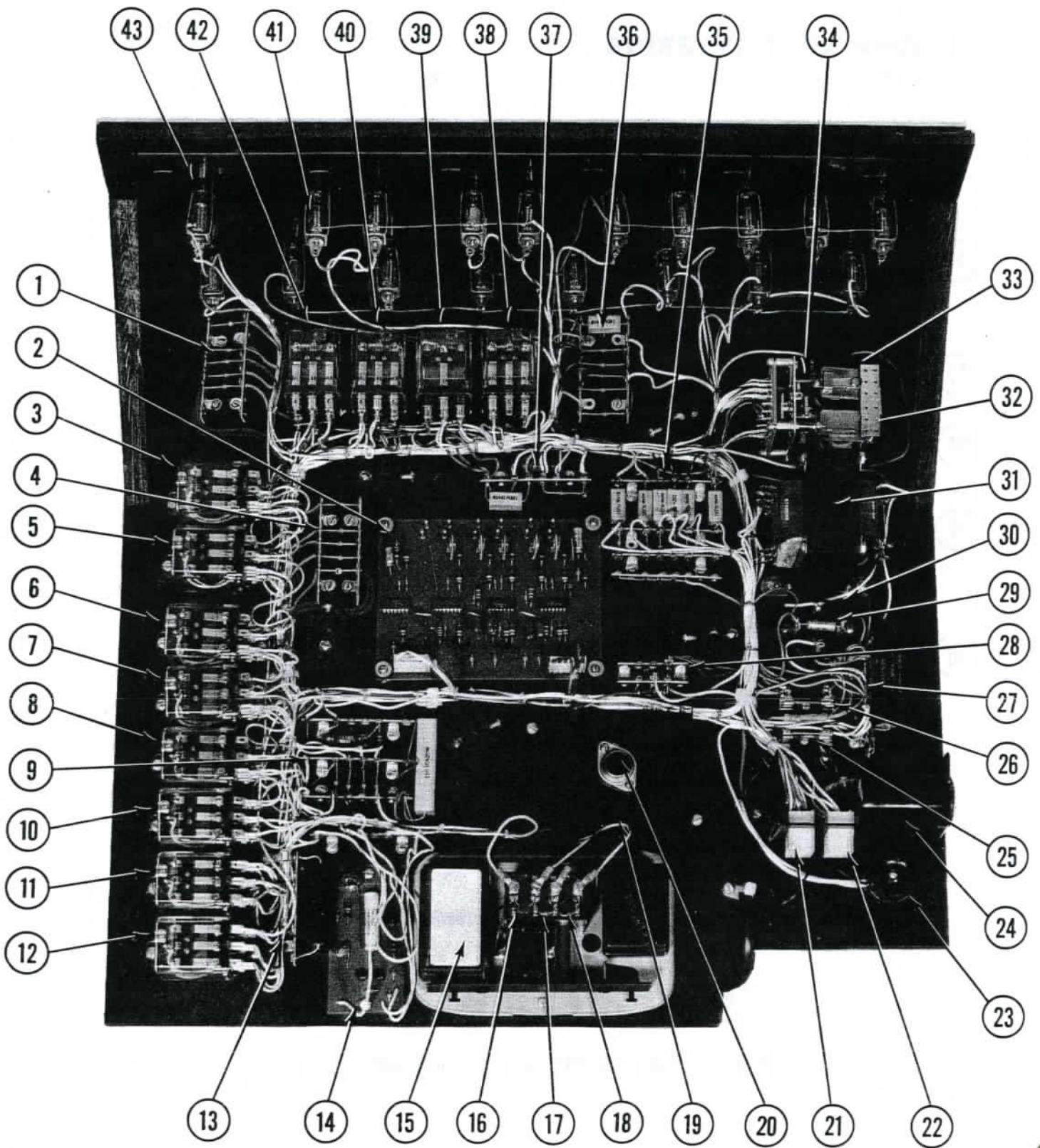


## FIGURE NO. 2 INTERIOR

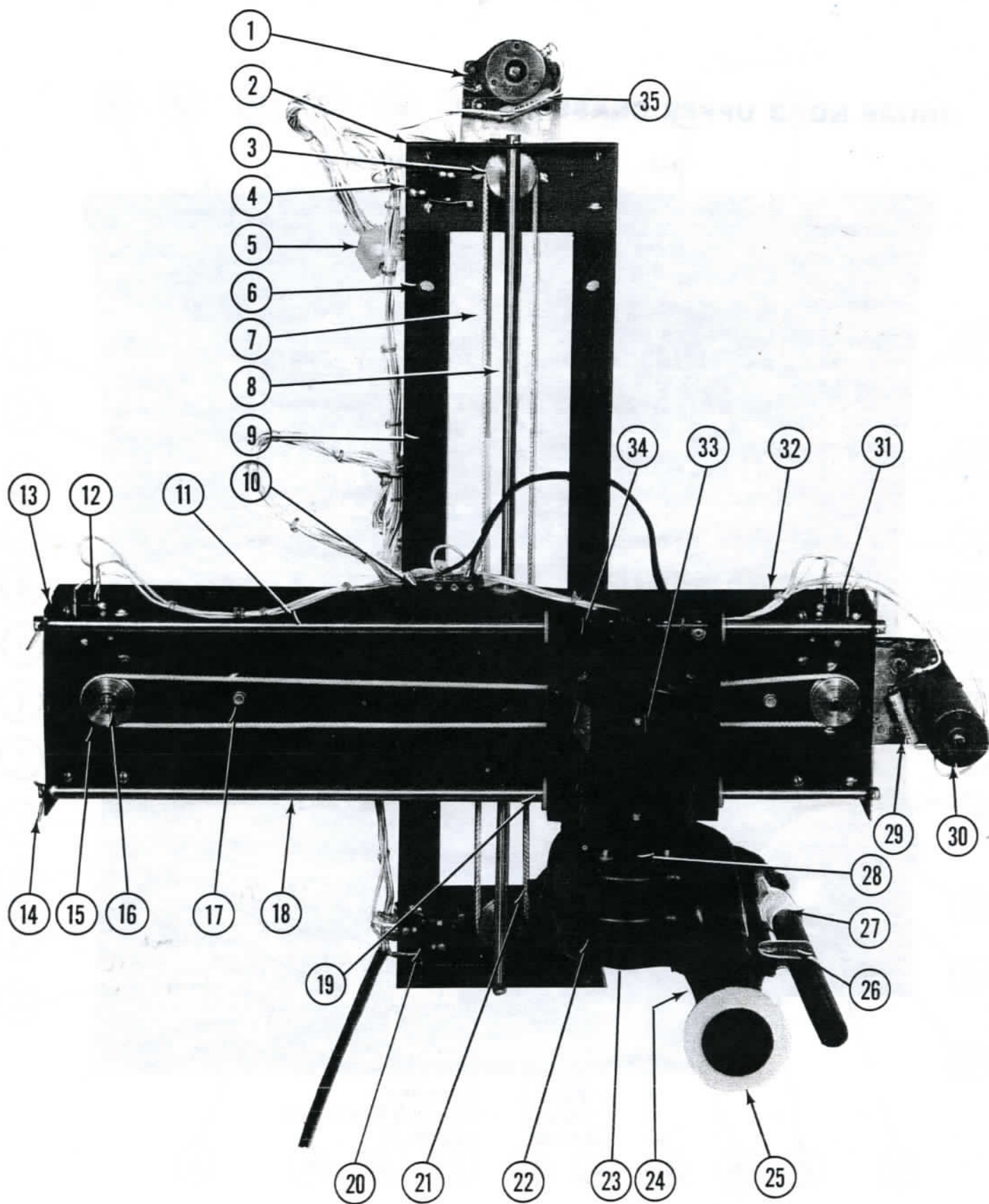
Item	Part Number	Description
1	01S2901-R	Green Cardboard Shield-Right
2	01S2901-L	Green Cardboard Shield-Left
3	01S2904	Black Cardboard Light Shield
4		Coin Chute
5	53R2743	Seat (only)
6	52L2828	Seat Base
7	08R2691	Black Rubber Mat for Seat Base
8	11R262	Aluminum Coin Tray
9	0S12902	Black Cardboard Blower Shield
10	07S2772	Sight Ring
11	07R2859	Ball Retaining Screen 26x20
12	01S2900	Black Cardboard Ball Guide
13	01S2903	Green Cardboard Middle Shield
14	07S2837	Flexiable Reflecting Background
15	36R2855	Black Light Floor 15w
16	36R218	Starter



**FIGURE NO. 3 UPPER CHASSIS**

## FIGURE NO. 3 UPPER CHASSIS

Item	Part Number	Description
1		Terminal Strips 10 and 11
2	54A2801	Relay Driver Printed Circuit Board
3	17R2456	Relay K5 3 Pole, 24 VDC
4		Terminal Strips 12 and 13
5	17R2456	Relay K6 3 Pole, 24 VDC
6	17R2456	Relay K7 3 Pole, 24 VDC
7	17R2456	Relay K8 3 Pole, 24 VDC
8	17R2456	Relay K9 3 Pole, 24 VDC
9		Terminal Strips 14, 15, 16 and 17
10	17R2456	Relay K10 3 Pole, 24 VDC
11	17R2456	Relay K11 3 Pole, 24 VDC
12	17R2456	Relay K12 3 Pole, 24 VDC
13		Terminal Strip 18
14	54A2664	Bonus Timer Assembly
15	29R197	Chime, Nutone
16	25R986-129	Capacitor C9, .01 MFD 1000V (Disc)
17	19R417	Diode 22 1N5059
18	19R417	Diode 21 1N5059
19	11R2875	Heat Sink
20	22R2708	12 VDC Regulator LM309K
21	03-09-1121	Plug No. 1 (Female 12 Pin)
22	03-09-1121	Plug No. 2 (Female 12 Pin)
23	18R2278	Surface Outlet, 115 VAC Female
24	29R2802	Sonar Alert 120 VAC
25	26R195-001	Fuse No. 1 3 AMP SLO BLO
26	26R626-004	Fuse No. 2 6 AMP
27		Terminal Strip 19
28		Terminal Strips 1 and 2
29	25R515-200	Capacitor 1, 10 MFD, 25 VDC
30	19R194	Rectifier, 12 VDC
31	16R2884	Transformer
32	19R417	Diode 22 1N5059
33	19R417	Diode 23 1N5059
34	17R2464	Stepper MER, 24 VDC
35		Terminal Strips 3, 4, 5 and 6
36		Terminal Strips 8 and 9
37		Terminal Strip 7
38	17R2456	Relay K1 3 Pole, 24 VDC
39	17R2567	Relay K2 Magnetic Latching, 24 VDC
40	17R2456	Relay K3 3 Pole, 24 VDC
41	18R203	Spring Base
42	17R2456	Relay K4 3 Pole, 24 VDC
43	36R2588	Lamp No. 47



**FIGURE NO. 4 LOWER CHASSIS ASSEMBLY**