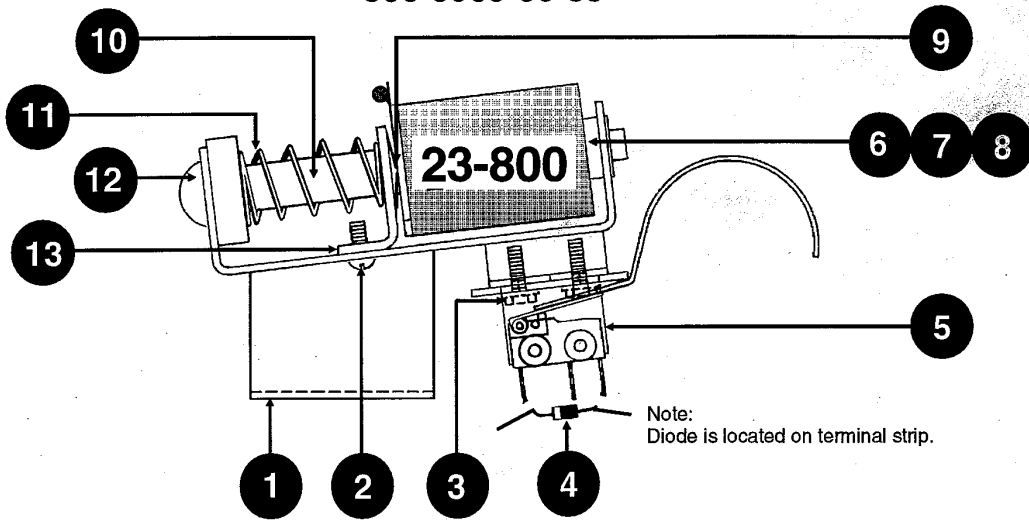
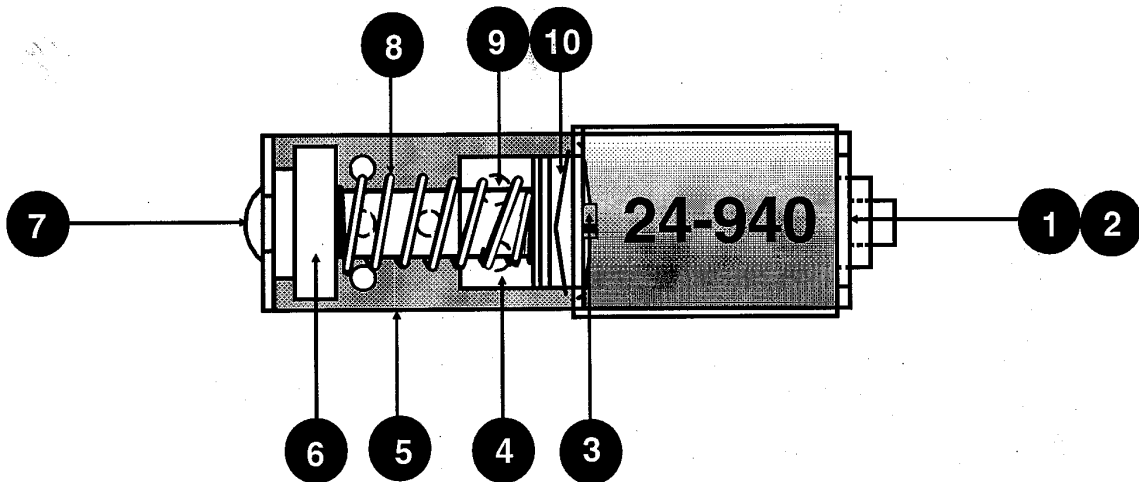


Auto Ball Launch Assembly 500-5969-00-33



Item	Description	Part N°	Item	Description	Part N°
1	Shooter Mounting Bracket	535-7331-00	8	Diode, 1N4004	112-5003-00
2	8-32 X .25" PPH SEMS (Qty. 2)	232-5300-00	9	.531" ID X .75" OD X .01 THK.	269-5002-00
3	#6 X 3/8" HWH TC (Qty. 2)	234-5000-00	10	Plunger Assembly	515-5000-02
4	Diode 1N4001	112-5001-00	11	Relay Spring	266-5020-00
5	Micro Switch Assembly	500-5707-00	12	Rubber Bumper (Grommet)	545-5105-00
6	Coil, 23-800, incl. Coil Sleeve	090-5001-01	13	Coil Retainer Bracket	535-5203-01
7	Coil Sleeve	545-5076-00			

Upper Ball Launch (Kick Big) Assembly 500-5862-06-33



Item	Description	Part N°	Item	Description	Part N°
1	Coil 24-940, incl. Coil Sleeve	090-5036-01	6	Plunger Assembly	515-5000-02
2	Coil Sleeve	545-5076-00	7	Rubber Bumper (Grommet)	545-5105-00
3	Diode 1N4004	112-5003-00	8	Spring	266-5020-00
4	Bracket	535-5203-01	9	8-32 X 1/4 SEMS (Qty. 2)	232-5300-04
5	Frame	535-6730-00	10	Spring Washer	269-5002-00