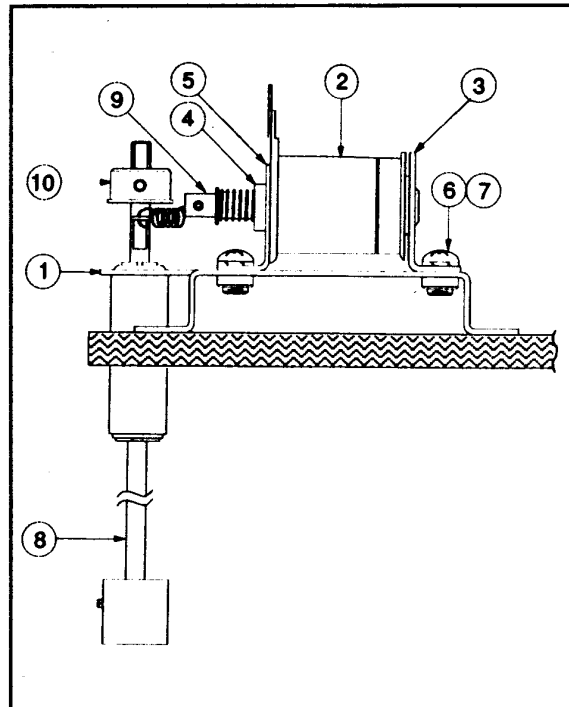


Diverter Assembly (Right Ball Gate) p/n B-13496-1

| Item | Part No. | Description |
|------|---------------|---------------------------|
| 1 | B-13493 | Mounting Bracket Assy |
| 2 | AE-26-1500 | Coil Assembly |
| 3 | A-10821 | Flipper Stop Bracket Assy |
| 4 | 03-7066 | Coil Tubing |
| 5 | 01-8413 | Bracket Coil Tubing |
| 6 | 4010-01008-06 | Mach. Screw, 10-32 x 3/8 |
| 7 | 4701-00004-00 | Lockwasher, #10 Split |

Associated Parts

| | | |
|----|------------|-------------------------|
| 8 | A-13494 | Diverter Shaft & Paddle |
| a) | 02-4444 | Shaft |
| b) | 03-8388 | Diverter |
| c) | 20-8716-1 | Roll Pin, 3/32 x 1/2 |
| d) | 20-8712-25 | "E"-Ring, 1/4" Shaft |
| 9 | A-13278 | Plunger Assembly |
| a) | 02-4241 | Coil Plunger |
| b) | 10-389 | Spring |
| c) | 20-8712-43 | "E"-Ring, 7/16" Shaft |
| d) | 20-8716-5 | Roll Pin, 1/8 x 7/16 |
| 10 | A-13279 | Drive Arm Assembly |
| 11 | C-13811 | Funnel Gate Assembly |



Diverter Assembly (Bowtie) p/n C-13809

| Item | Part No. | Description |
|-------------------------------------|---------------|--------------------------------|
| 1 | B-13808 | Plunger Assembly |
| 2 | B-11660 | Main Frame Sub-assembly |
| 3 | 03-8090 | Flat Cam |
| 4 | 01-8639 | Coil Support Bracket |
| 5 | A-10821 | Flipper Stop Bracket Assembly |
| 6 | 5070-06258-00 | Diode, 1N4001 |
| 7 | 10-406 | Compression Spring |
| 8 | | Extension Spring |
| 9 | 10-392 | Compression Spring |
| 10 | 5647-12073-06 | Mini Microswitch |
| 11 | AE-23-800 | Coil Assembly |
| 12 | 4701-00024-00 | Split Lock Washer #2 |
| 13 | 4700-00103-00 | Flat Washer #12 |
| 14 | 20-8712-25 | E-Retaining Ring |
| 15 | 20-7890-7 | Nylined Bearing |
| 16 | 4010-01008-06 | M.S. #10-32 P-PH |
| 17 | 4701-00004-00 | Split Lock Washer #10 |
| 18 | 4700-00021-00 | Flat Washer .203 x .437 x .032 |
| Associated Parts (Not Shown) | | |
| 19 | 03-8403 | Diverter Plastic |
| 20 | B-13629 | Diverter Shaft Assembly |

