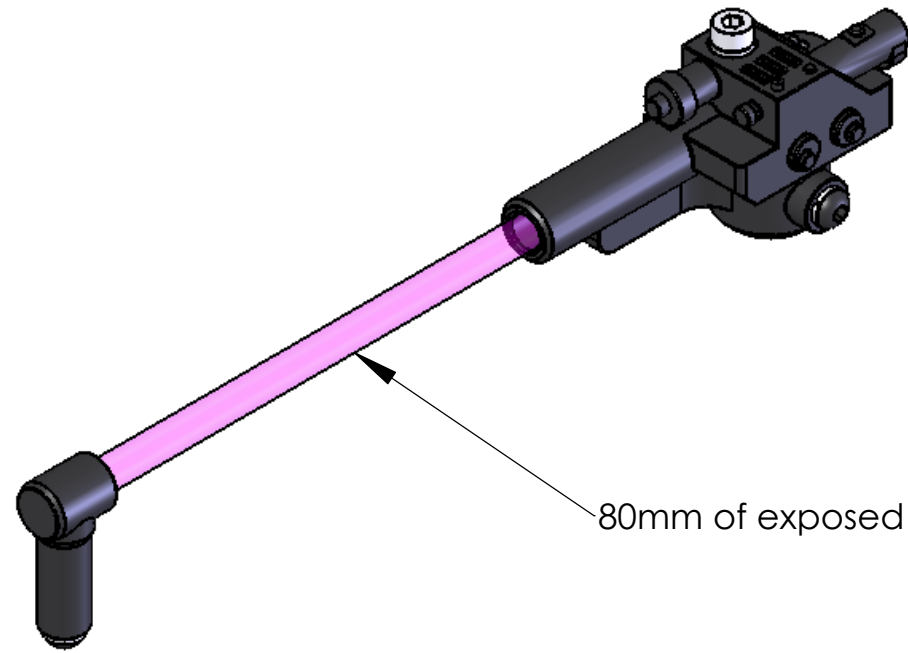
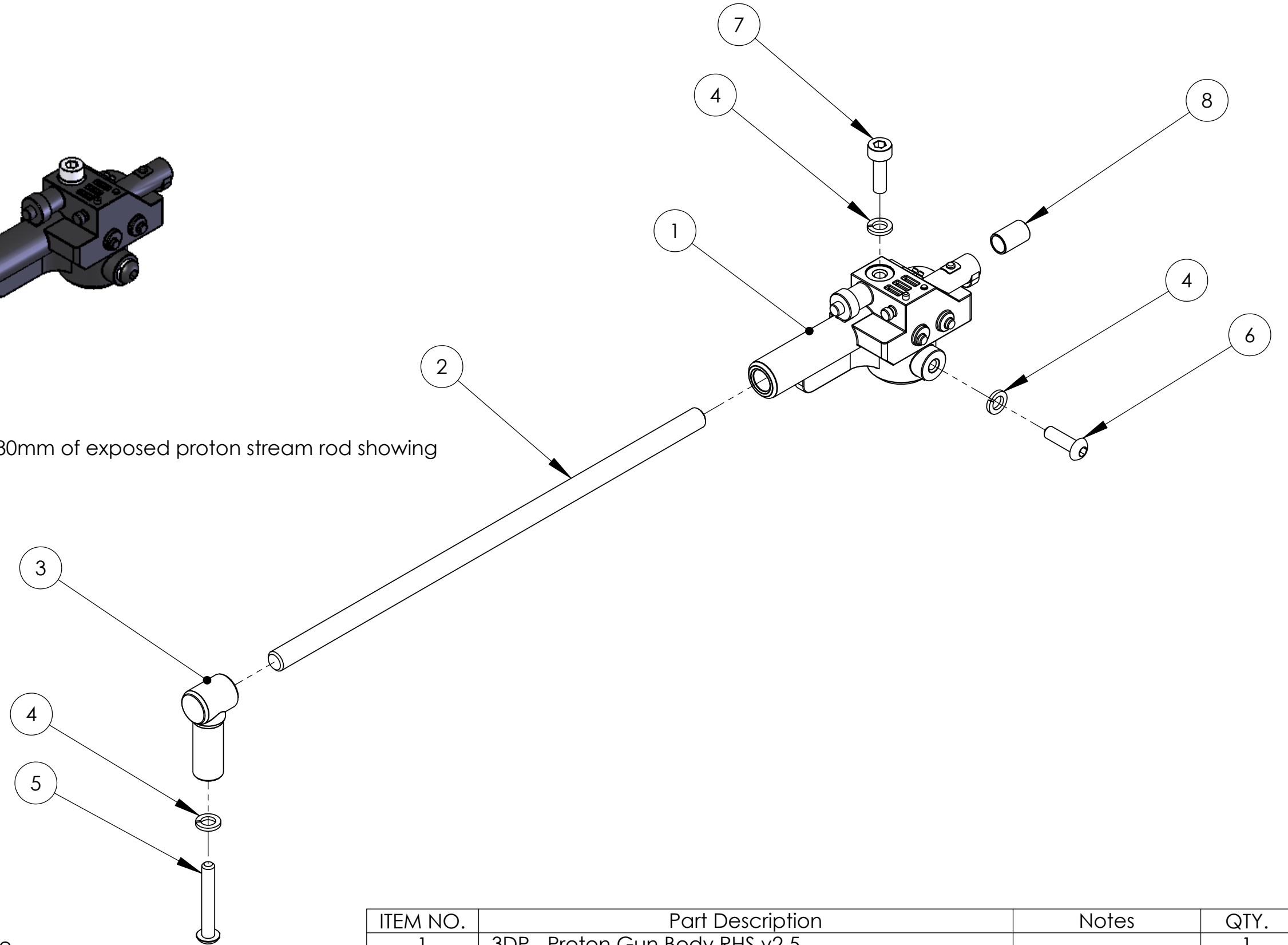


GB - Proton Gun

Right Proton Gun Assembly



80mm of exposed proton stream rod showing



Notes:

- Item 2 is clear though showing pink in it's lit up stage
- Item 5 locks the nozzle to the acrylic Proton Stream
- Item 6 locks the gun to the pivot shaft - refer to another assembly
- Item 7 locks the Proton Stream length in place
- Item 8 the proton led is passed through before soldering - drawing does not show wiring - it is pre-wired

Ensure Spring washers and nip up bolts so to avoid stripping of threads and cracking of parts

| ITEM NO. | Part Description | Notes | QTY. |
|----------|--|---------------|------|
| 1 | 3DP - Proton Gun Body RHS v2.5 | | 1 |
| 2 | AR - Proton Stream Bar RHS v2 | Dia 5 x 137mm | 1 |
| 3 | 3DP - Proton Stream Nozzle v2 | | 1 |
| 4 | Washer - 3mm Spring - Zinc | | 3 |
| 5 | Button Screw - 3mm x 20mm Allen Headed - Black | | 1 |
| 6 | Button Screw - 3mm x 10mm Allen Headed - Black | | 1 |
| 7 | Cap Screw - 3mm x 10mm Allen Headed - SS | | 1 |
| 8 | 3DP - Bulb Lock | | 1 |