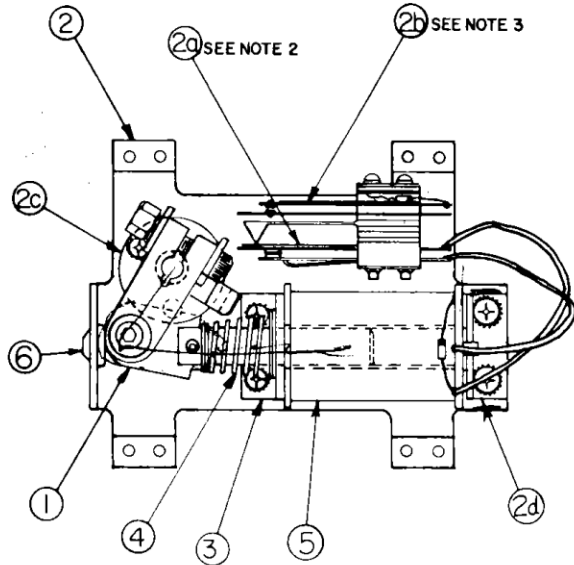


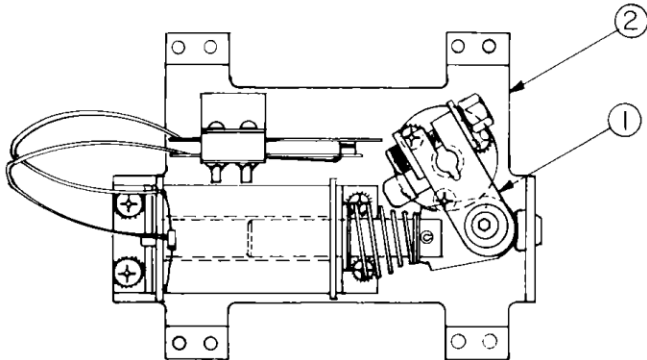
C-9952-R FLIPPER ASSEMBLIES



ITEM	PART NO.	DESCRIPTION
1	B-10655-R	Crank Link Assembly
2	C-9954-R	Flipper Base/Lane Change Assembly
2a	03-7811	End of Stroke (EOS) Switch
2b	SW-1A-150	Lane Change Switch
2c	03-7568	Flipper Bushing
2d	A-10280	Flipper Stock Bracket Assembly
3	01-7695	Solenoid Bracket
4	10-376	Coil Plunger Spring
5	FL 23/600-30/2600	Flipper Coil
6	23-6577	Bumper Plug

NOTES:

- Each Flipper Assembly is mounted below the playfield, in conjunction with the plastic flipper and shaft (20-9250) and flipper rubber (23-6519) (on the upper side of the playfield).
- The tip of the EOS Switch must travel .015 (+.010, -.000 inch), before the contacts fully open with the flipper in the actuated position. The EOS Switch contacts must have a gap of .062 ($\pm .015$) inch. Any adjustment of the EOS Switch must be made at a minimum distance of .25 inch from the switch body
- The Lane Change Switch must have a gap of .046 ($\pm .015$) inch, when fully open
- All moving elements of the assembly must operate freely without any evidence of binding
- Coil plunger spring must fit within the four lugs of the solenoid bracket
- For coil replacement, remove solenoid bracket, (item 3) to prevent screw damage
- Use Loctite when reassembling flipper stop bracket screws.
- When using bumper plug on older flipper assemblies, readjust flipper position.
- Solid color grey (or blue) wire connects to the banded end of the diode, mounted on the connector end of flipper coil (item 5). Wire with trace color connects to the unbanded end of the diode.



C-9953-L UNIQUE PARTS

ITEM	PART NO.	DESCRIPTION
1	B-10655-L	Crank Link Assembly, Left
2	C-9957-L	Flipper Sub Base Assembly

