

THIS DWG IS CONFIDENTIAL & PROPERTY OF MIDWAY MFG CO.

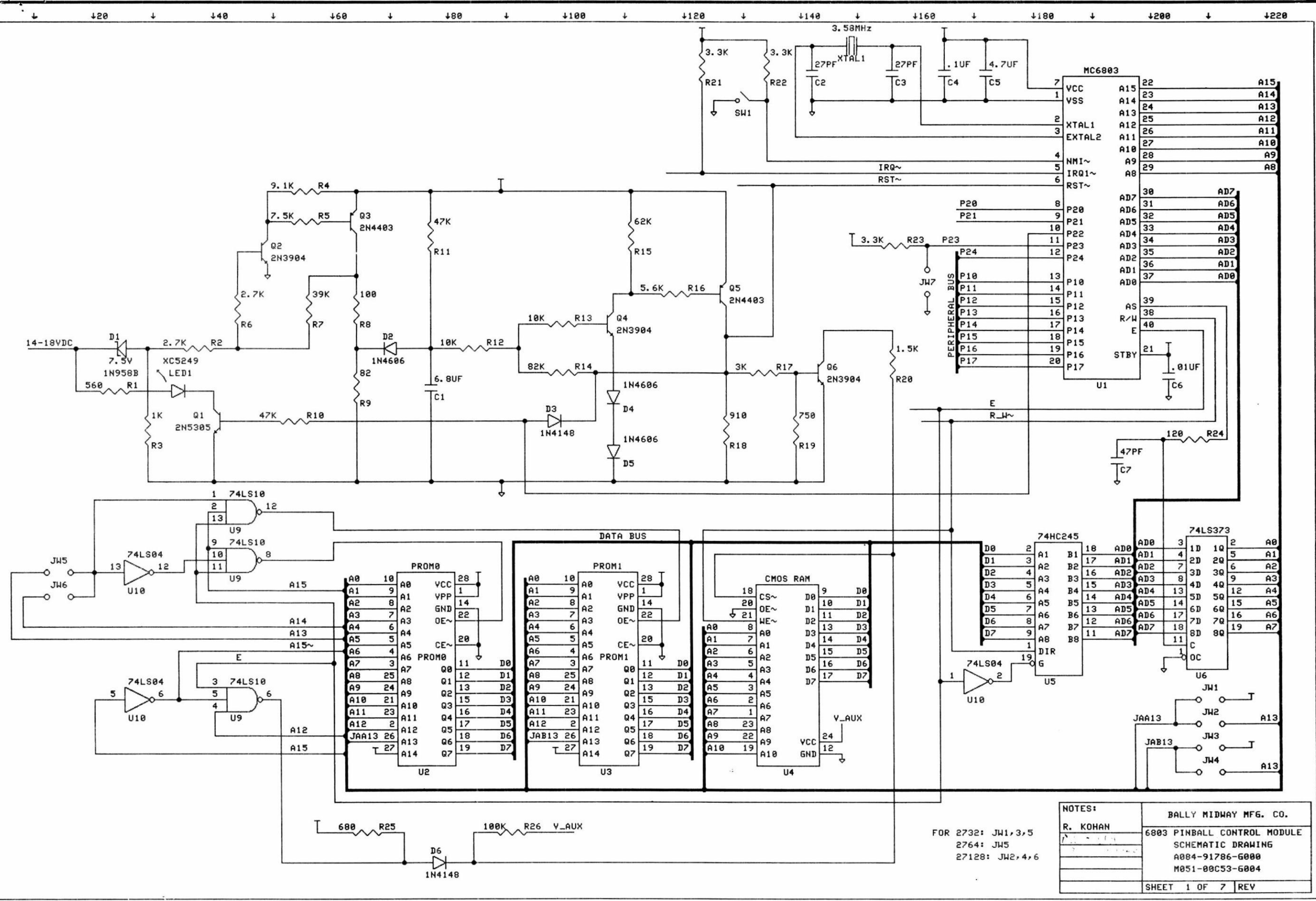
DIM. TOLERANCES
UNLESS OTHERWISE SPEC.
CONCENTRICITY T.I.R. .002
FRACTIONAL ± 1/64
DECIMAL ± .005
HOLE DIA. +.002-.000
ANGLE ± 1/2°
DO NOT SCALE DWG.

FIRST USED ON	
DRN CL	DATE 04/08/86
MECH CHK	MAT L
ELEC CHK Cmm	FINISH

MIDWAY MFG. CO.
FRANKLIN PK., IL. 60131 A BALLY CO

ASSY DRAWING
6803 CONTROL BD.
A084-91786-G000

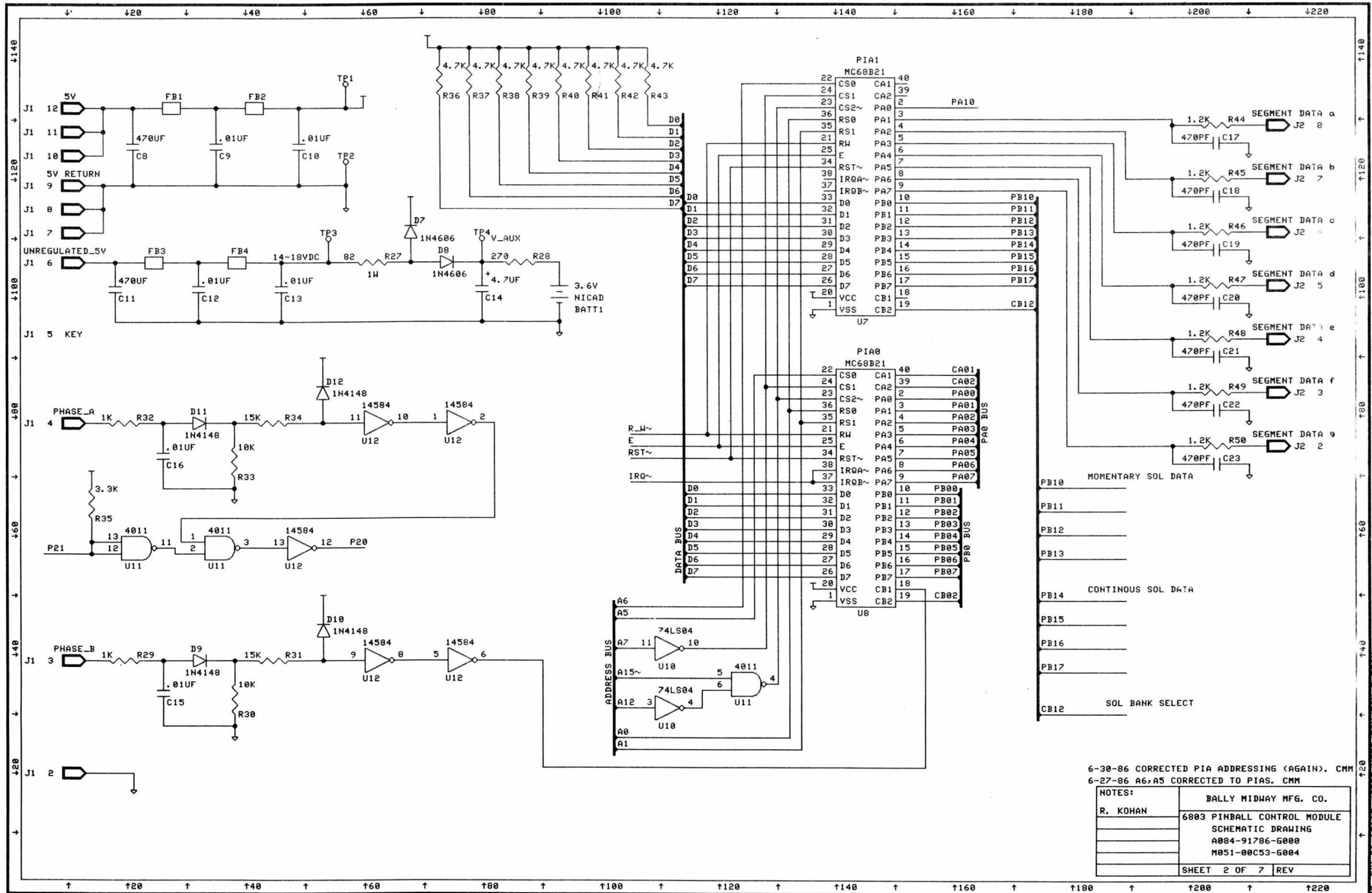
REVISIONS	
PART NO. M0-5-1-0-0-C-5-3-G-0-0-3	



NOTES:		BALLY MIDWAY MFG. CO.	
R. KOHAN		6803 PINBALL CONTROL MODULE	
		SCHEMATIC DRAWING	
		A084-91786-6000	
		M051-00C53-6004	
		SHEET 1 OF 7	
		REV	

FOR 2732: JW1,3,5
 2764: JW5
 27128: JW2,4,6

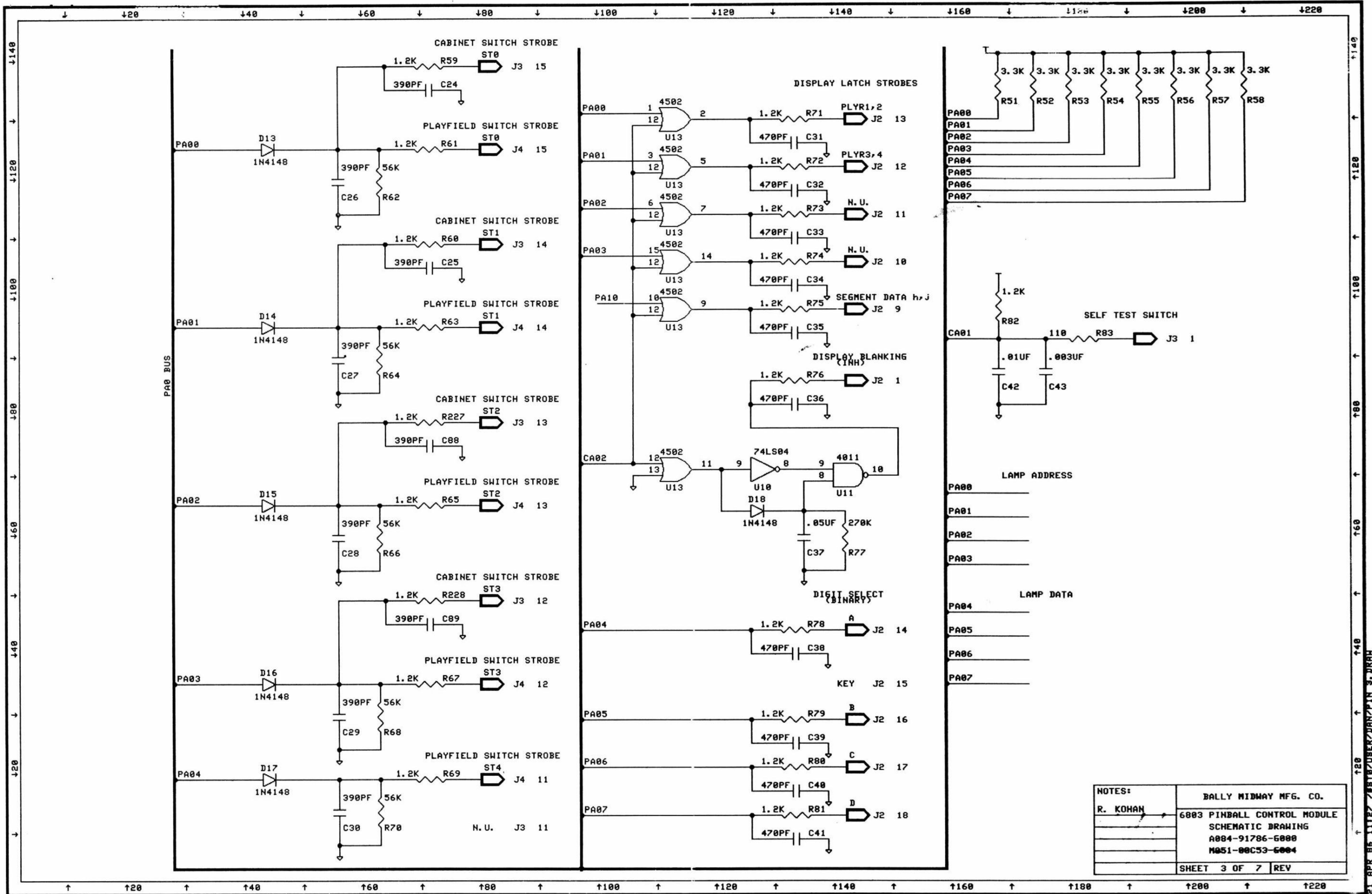
11 MAR 86 08138 USER/JAN/PIN 1. DRAN



6-30-86 CORRECTED PIA ADDRESSING (AGAIN). CMM
 6-27-86 A6,A5 CORRECTED TO PIAS. CMM

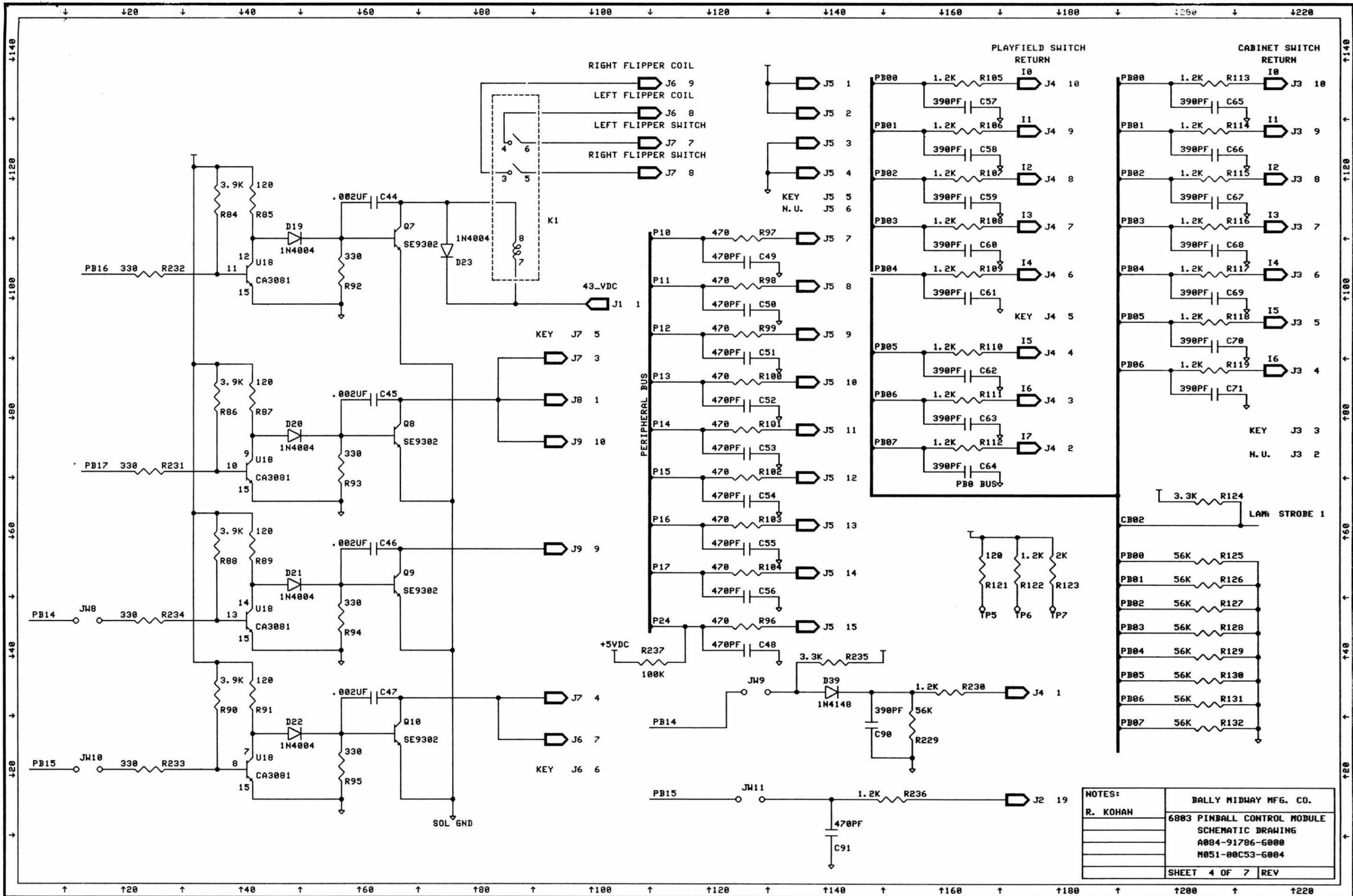
NOTES:	BALLY MIDWAY MFG. CO.
R. KOHAN	6803 PINBALL CONTROL MODULE
	SCHEMATIC DRAWING
	A084-91786-6000
	M051-00C53-6004
	SHEET 2 OF 7 REV

30 JUN 86 13119 748107USER/DAN/PIN 2: DRAM



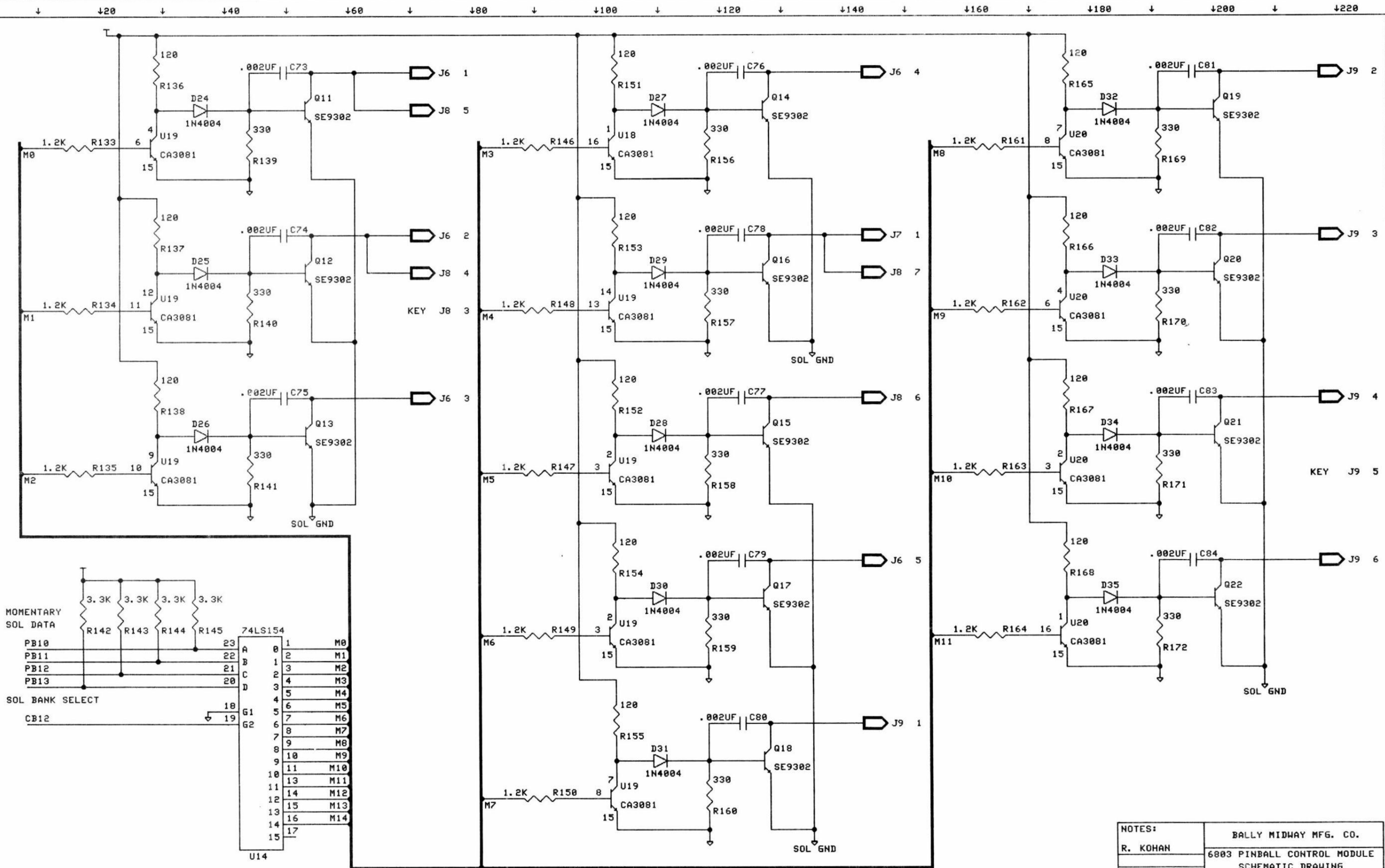
NOTES:	BALLY MIDWAY MFG. CO.
R. KOHAN	6803 PINBALL CONTROL MODULE
	SCHEMATIC DRAWING
	A084-91786-6000
	M051-00C53-6004
	SHEET 3 OF 7 REV

21 APR 86 11:27 78510708K/DAN/PIN 3.DRAW



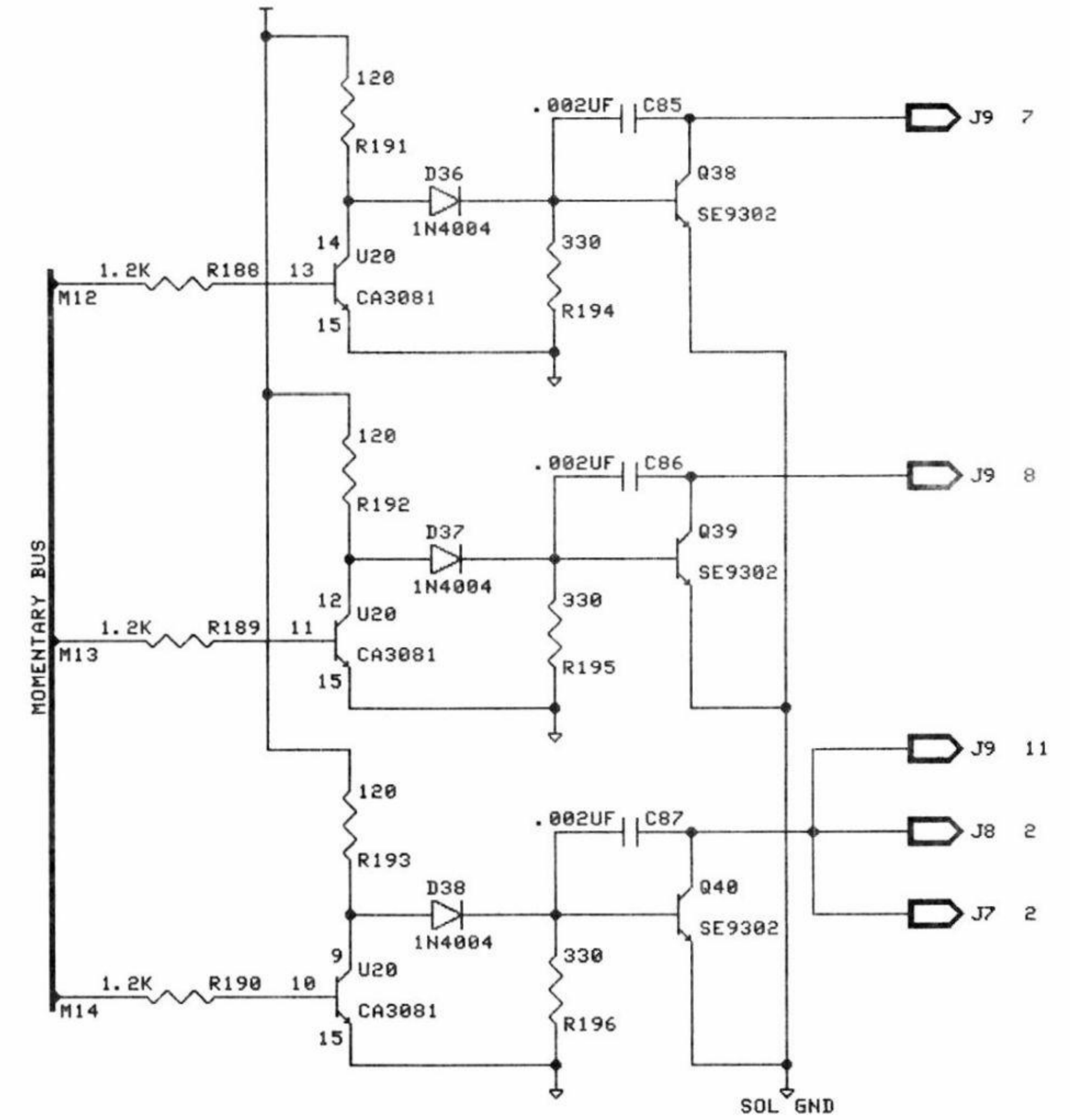
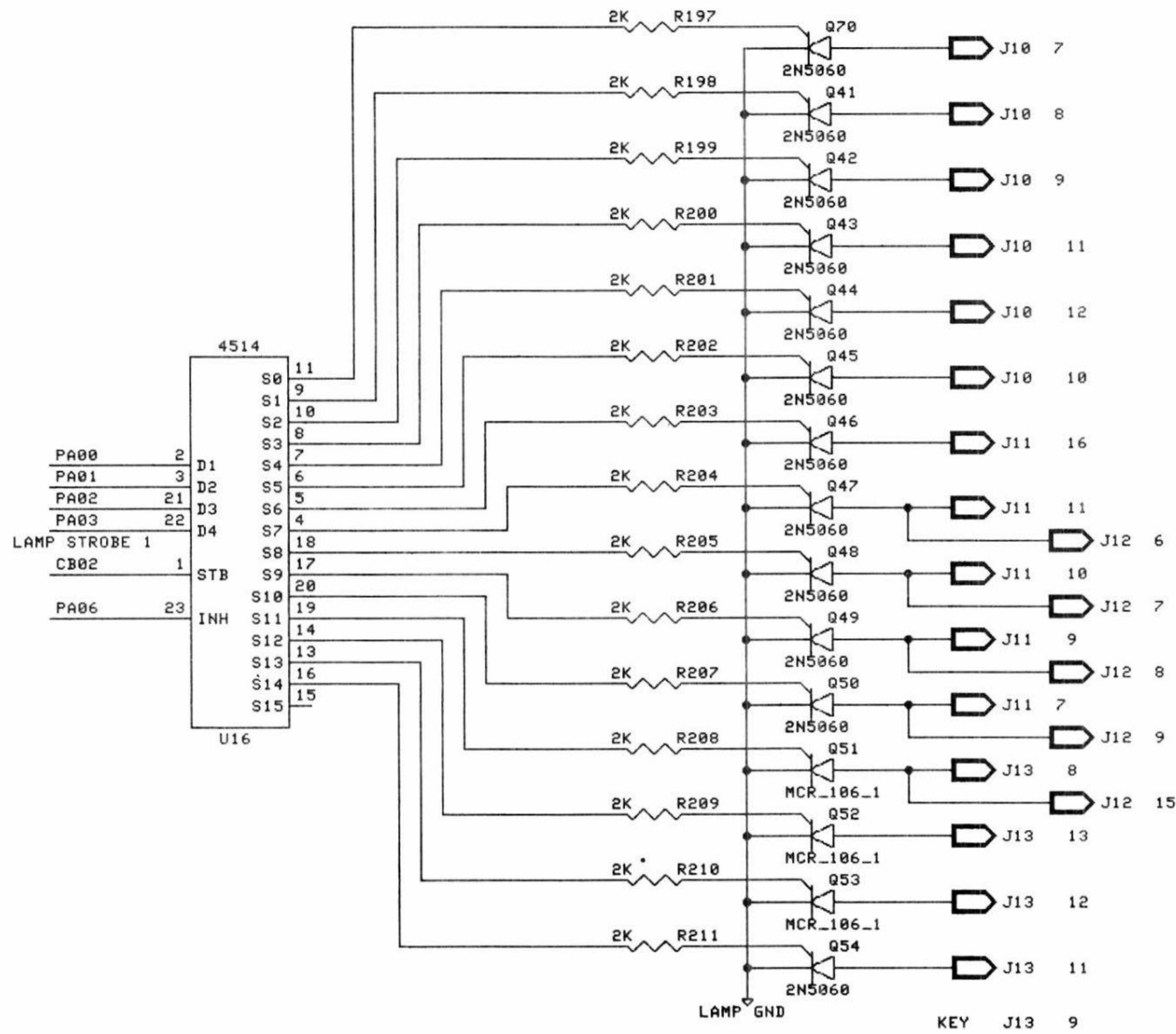
NOTES:
 R. KOHAN
 BALLY MIDWAY MFG. CO.
 6803 PINBALL CONTROL MODULE
 SCHEMATIC DRAWING
 A084-91786-6000
 M051-00C53-6004
 SHEET 4 OF 7 REV

11 MAR 86 08:42 USER/JAN/PIN 4.DRAW



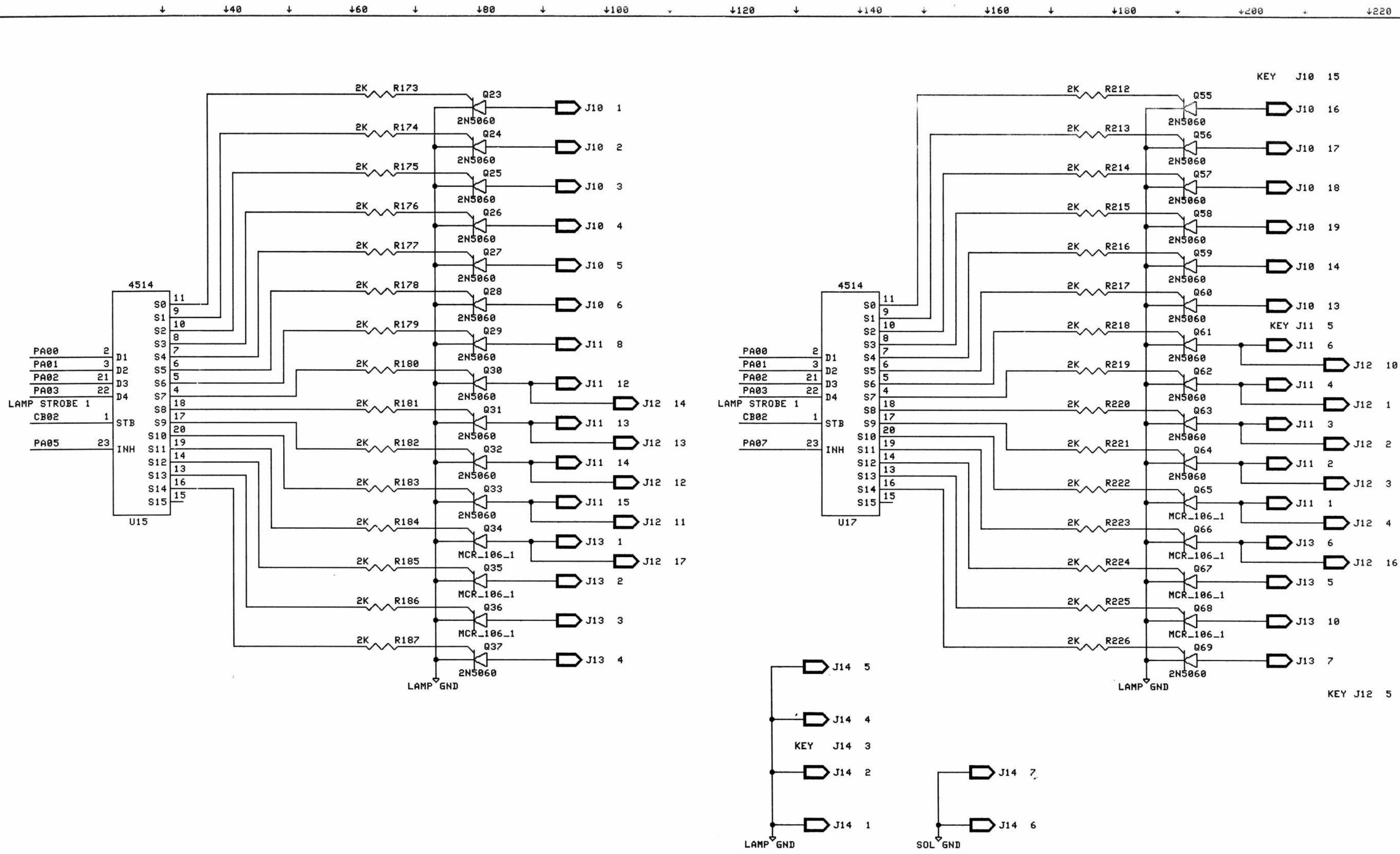
NOTES:	BALLY MIDWAY MFG. CO.
R. KOHAN	6803 PINBALL CONTROL MODULE
	SCHEMATIC DRAWING
	A084-91786-6000
	M051-00C53-6004
	SHEET 5 OF 7 REV

11 MAR 86 08T43 / USER/DAN/PIN 5, DRAM



↑140
↑120
↑100
↑80
↑60
↑40
↑20

NOTES:	BALLY MIDWAY MFG. CO.
R. KOHAN	6803 PINBALL CONTROL MODULE
	SCHEMATIC DRAWING
	A084-91786-G000
	M051-00C53-G004
	SHEET 6 OF 7 REV



NOTES:	BALLY MIDWAY MFG. CO.
R. KOHAN	6803 PINBALL CONTROL MODULE
	SCHEMATIC DRAWING
	A084-91786-G000
	M051-00C53-G004
	SHEET 7 OF 7 REV

11 MAR 86 08146 7USER/DAN/PIN 7. DRAM