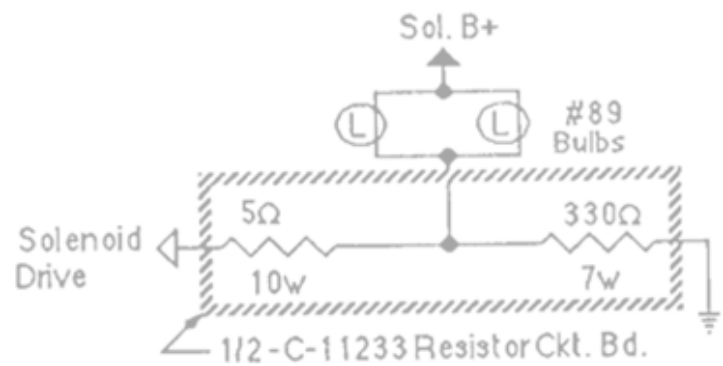


26 VAC

4 AMP SLOW BURN FUSE

3J7 (SPECIAL RELAY)

IJ12 PIN 9



#89 Flashlamps Circuit