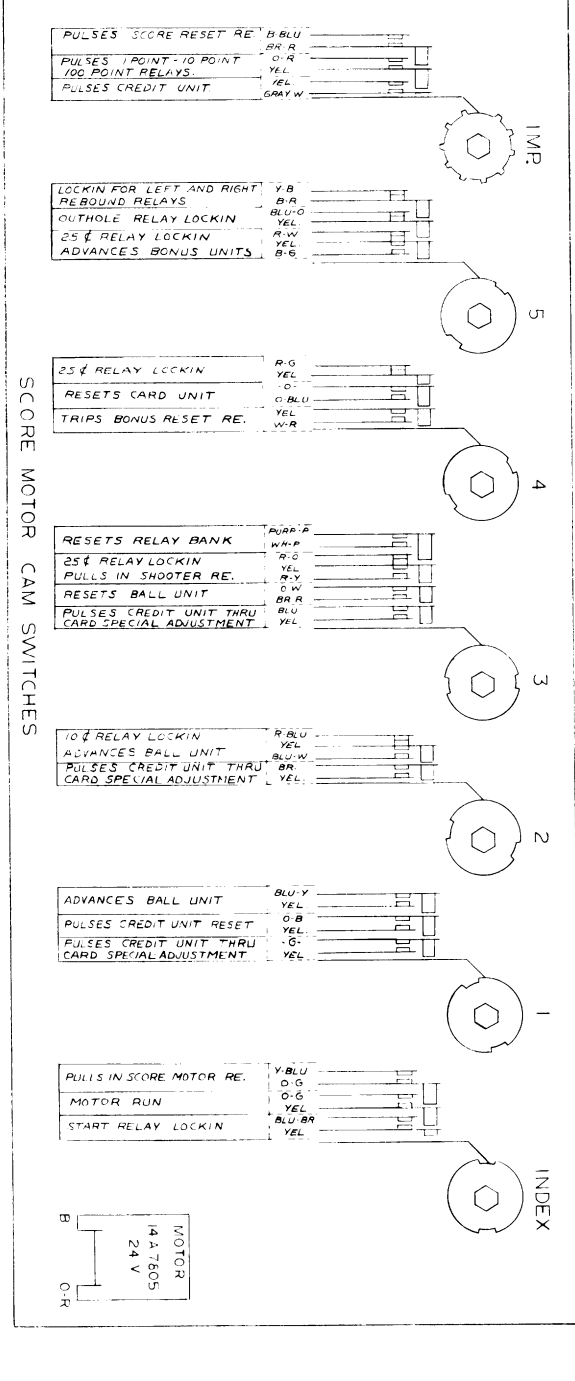
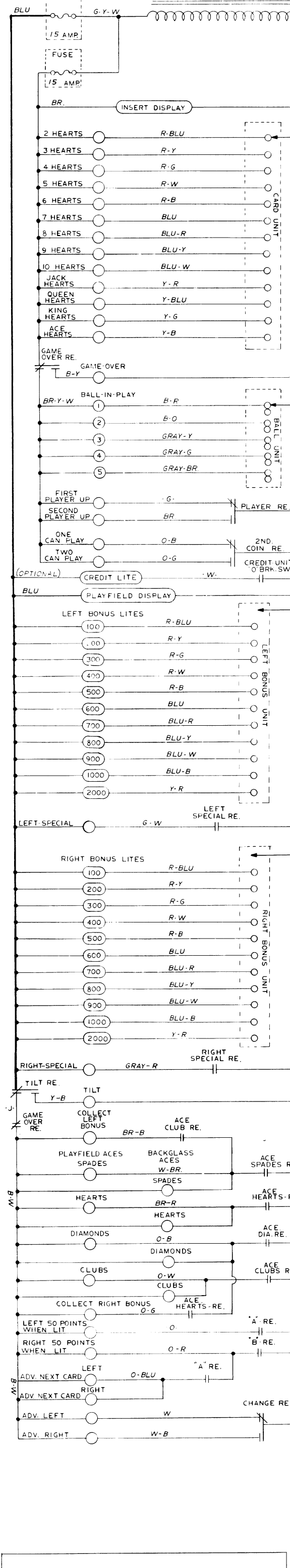
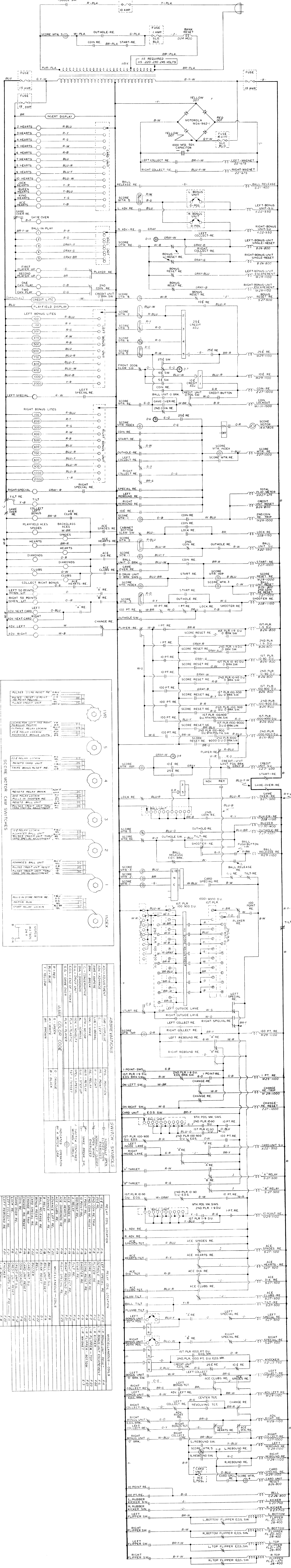


WILLIAMS ELECTRONICS INC.
3401 N. CALIFORNIA AVE.
CHICAGO, ILLINOIS 60618



RELAY COIL LOCATION	RELAY COIL LOCATION	MISCELLANEOUS - COILS
F-1	F-1	F-1
F-2	F-2	F-2
F-3	F-3	F-3
F-4	F-4	F-4
F-5	F-5	F-5
F-6	F-6	F-6
F-7	F-7	F-7
F-8	F-8	F-8
F-9	F-9	F-9
F-10	F-10	F-10
F-11	F-11	F-11
F-12	F-12	F-12
F-13	F-13	F-13
F-14	F-14	F-14
F-15	F-15	F-15
F-16	F-16	F-16
F-17	F-17	F-17
F-18	F-18	F-18
F-19	F-19	F-19
F-20	F-20	F-20
F-21	F-21	F-21
F-22	F-22	F-22
F-23	F-23	F-23
F-24	F-24	F-24
F-25	F-25	F-25
F-26	F-26	F-26
F-27	F-27	F-27
F-28	F-28	F-28
F-29	F-29	F-29
F-30	F-30	F-30
F-31	F-31	F-31
F-32	F-32	F-32
F-33	F-33	F-33
F-34	F-34	F-34
F-35	F-35	F-35
F-36	F-36	F-36
F-37	F-37	F-37
F-38	F-38	F-38
F-39	F-39	F-39
F-40	F-40	F-40
F-41	F-41	F-41
F-42	F-42	F-42
F-43	F-43	F-43
F-44	F-44	F-44
F-45	F-45	F-45
F-46	F-46	F-46
F-47	F-47	F-47
F-48	F-48	F-48
F-49	F-49	F-49
F-50	F-50	F-50
F-51	F-51	F-51
F-52	F-52	F-52
F-53	F-53	F-53
F-54	F-54	F-54
F-55	F-55	F-55
F-56	F-56	F-56
F-57	F-57	F-57
F-58	F-58	F-58
F-59	F-59	F-59
F-60	F-60	F-60
F-61	F-61	F-61
F-62	F-62	F-62
F-63	F-63	F-63
F-64	F-64	F-64
F-65	F-65	F-65
F-66	F-66	F-66
F-67	F-67	F-67
F-68	F-68	F-68
F-69	F-69	F-69
F-70	F-70	F-70
F-71	F-71	F-71
F-72	F-72	F-72
F-73	F-73	F-73
F-74	F-74	F-74
F-75	F-75	F-75
F-76	F-76	F-76
F-77	F-77	F-77
F-78	F-78	F-78
F-79	F-79	F-79
F-80	F-80	F-80
F-81	F-81	F-81
F-82	F-82	F-82
F-83	F-83	F-83
F-84	F-84	F-84
F-85	F-85	F-85
F-86	F-86	F-86
F-87	F-87	F-87
F-88	F-88	F-88
F-89	F-89	F-89
F-90	F-90	F-90
F-91	F-91	F-91
F-92	F-92	F-92
F-93	F-93	F-93
F-94	F-94	F-94
F-95	F-95	F-95
F-96	F-96	F-96
F-97	F-97	F-97
F-98	F-98	F-98
F-99	F-99	F-99
F-100	F-100	F-100

ADJUSTMENT	RELAY COIL LOCATION	RELAY COIL LOCATION	MISCELLANEOUS - COILS
A-1	F-1	F-1	F-1
A-2	F-2	F-2	F-2
A-3	F-3	F-3	F-3
A-4	F-4	F-4	F-4
A-5	F-5	F-5	F-5
A-6	F-6	F-6	F-6
A-7	F-7	F-7	F-7
A-8	F-8	F-8	F-8
A-9	F-9	F-9	F-9
A-10	F-10	F-10	F-10
A-11	F-11	F-11	F-11
A-12	F-12	F-12	F-12
A-13	F-13	F-13	F-13
A-14	F-14	F-14	F-14
A-15	F-15	F-15	F-15
A-16	F-16	F-16	F-16
A-17	F-17	F-17	F-17
A-18	F-18	F-18	F-18
A-19	F-19	F-19	F-19
A-20	F-20	F-20	F-20
A-21	F-21	F-21	F-21
A-22	F-22	F-22	F-22
A-23	F-23	F-23	F-23
A-24	F-24	F-24	F-24
A-25	F-25	F-25	F-25
A-26	F-26	F-26	F-26
A-27	F-27	F-27	F-27
A-28	F-28	F-28	F-28
A-29	F-29	F-29	F-29
A-30	F-30	F-30	F-30
A-31	F-31	F-31	F-31
A-32	F-32	F-32	F-32
A-33	F-33	F-33	F-33
A-34	F-34	F-34	F-34
A-35	F-35	F-35	F-35
A-36	F-36	F-36	F-36
A-37	F-37	F-37	F-37
A-38	F-38	F-38	F-38
A-39	F-39	F-39	F-39
A-40	F-40	F-40	F-40
A-41	F-41	F-41	F-41
A-42	F-42	F-42	F-42
A-43	F-43	F-43	F-43
A-44	F-44	F-44	F-44
A-45	F-45	F-45	F-45
A-46	F-46	F-46	F-46
A-47	F-47	F-47	F-47
A-48	F-48	F-48	F-48
A-49	F-49	F-49	F-49
A-50	F-50	F-50	F-50
A-51	F-51	F-51	F-51
A-52	F-52	F-52	F-52
A-53	F-53	F-53	F-53
A-54	F-54	F-54	F-54
A-55	F-55	F-55	F-55
A-56	F-56	F-56	F-56
A-57	F-57	F-57	F-57
A-58	F-58	F-58	F-58
A-59	F-59	F-59	F-59
A-60	F-60	F-60	F-60
A-61	F-61	F-61	F-61
A-62	F-62	F-62	F-62
A-63	F-63	F-63	F-63
A-64	F-64	F-64	F-64
A-65	F-65	F-65	F-65
A-66	F-66	F-66	F-66
A-67	F-67	F-67	F-67
A-68	F-68	F-68	F-68
A-69	F-69	F-69	F-69
A-70	F-70	F-70	F-70
A-71	F-71	F-71	F-71
A-72	F-72	F-72	F-72
A-73	F-73	F-73	F-73
A-74	F-74	F-74	F-74
A-75	F-75	F-75	F-75
A-76	F-76	F-76	F-76
A-77	F-77	F-77	F-77
A-78	F-78	F-78	F-78
A-79	F-79	F-79	F-79
A-80	F-80	F-80	F-80
A-81	F-81	F-81	F-81
A-82	F-82	F-82	F-82
A-83	F-83	F-83	F-83
A-84	F-84	F-84	F-84
A-85	F-85	F-85	F-85
A-86	F-86	F-86	F-86
A-87	F-87	F-87	F-87
A-88	F-88	F-88	F-88
A-89	F-89	F-89	F-89
A-90	F-90	F-90	F-90
A-91	F-91	F-91	F-91
A-92	F-92	F-92	F-92
A-93	F-93	F-93	F-93
A-94	F-94	F-94	F-94
A-95	F-95	F-95	F-95
A-96	F-96	F-96	F-96
A-97	F-97	F-97	F-97
A-98	F-98	F-98	F-98
A-99	F-99	F-99	F-99
A-100	F-100	F-100	F-100

RELAY COIL LOCATION	RELAY COIL LOCATION	MISCELLANEOUS - COILS
F-1	F-1	F-1
F-2	F-2	F-2
F-3	F-3	F-3
F-4	F-4	F-4
F-5	F-5	F-5
F-6	F-6	F-6
F-7	F-7	F-7
F-8	F-8	F-8
F-9	F-9	F-9
F-10	F-10	F-10
F-11	F-11	F-11
F-12	F-12	F-12
F-13	F-13	F-13
F-14	F-14	F-14
F-15	F-15	F-15
F-16	F-16	F-16
F-17	F-17	F-17
F-18	F-18	F-18
F-19	F-19	F-19
F-20	F-20	F-20
F-21	F-21	F-21
F-22	F-22	F-22
F-23	F-23	F-23
F-24	F-24	F-24
F-25	F-25	F-25
F-26	F-26	F-26
F-27	F-27	F-27
F-28	F-28	F-28
F-29	F-29	F-29
F-30	F-30	F-30
F-31	F-31	F-31
F-32	F-32	F-32
F-33	F-33	F-33
F-34	F-34	F-34
F-35	F-35	F-35
F-36	F-36	F-36
F-37	F-37	F-37
F-38	F-38	F-38
F-39	F-39	F-39
F-40	F-40	F-40
F-41	F-41	F-41
F-42	F-42	F-42
F-43	F-43	F-43
F-44	F-44	F-44
F-45	F-45	F-45
F-46	F-46	F-46
F-47	F-47	F-47
F-48	F-48	F-48
F-49	F-49	F-49
F-50	F-50	F-50
F-51	F-51	F-51
F-52	F-52	F-52
F-53	F-53	F-53
F-54	F-54	F-54
F-55	F-55	F-55
F-56	F-56	F-56
F-57	F-57	F-57
F-58	F-58	F-58
F-59	F-59	F-59
F-60	F-60	F-60
F-61	F-61	F-61
F-62	F-62	F-62
F-63	F-63	F-63
F-64	F-64	F-64
F-65	F-65	F-65
F-66	F-66	F-66
F-67	F-67	F-67
F-68	F-68	F-68
F-69	F-69	F-69
F-70	F-70	F-70
F-71	F-71	F-71
F-72	F-72	F-72
F-73	F-73	F-73
F-74	F-74	F-74
F-75	F-75	F-75
F-76	F-76	F-76
F-77	F-77	F-77
F-78	F-78	F-78
F-79	F-79	F-79
F-80	F-80	F-80
F-81	F-81	F-81
F-82	F-82	F-82
F-83	F-83	F-83
F-84	F-84	F-84
F-85	F-85	F-85
F-86	F-86	F-86
F-87	F-87	F-87
F-88	F-88	F-88
F-89	F-89	F-89
F-90	F-90	F-90
F-91	F-91	F-91
F-92	F-92	F-92
F-93	F-93	F-93
F-94	F-94	F-94
F-95	F-95	F-95
F-96	F-96	F-96
F-97	F-97	F-97
F-98	F-98	F-98
F-99	F-99	F-99
F-100	F-100	F-100