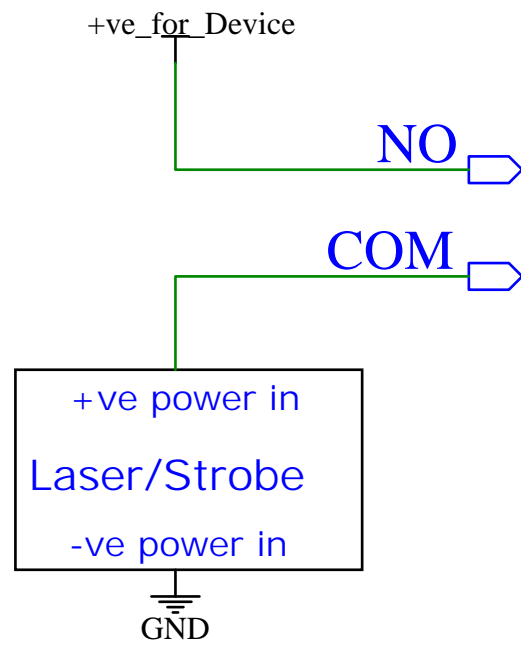


Device Connections:

+ve\_for\_device -> Positive Power for device  
 -ve\_for\_device -> Negative Power for device

Control Connections:

Lamp\_Signal -> Lamp connection from lamp driver board  
 Power\_Ground -> Ground connection (like MPU Gnd)  
 Power\_+5V -> +5V connection (like MPU +5v)  
 Lamp\_+6VDC -> +6VDC from switched lamp power common



- ◁ Lamp\_Signal
- ◁ Power\_Ground
- ◁ Power\_+5V

Lamp\_+6VDC ◁  
 Remove Jumper  
 Connect Switched Lamp +6VDC  
 to centre pin only

TITLE: Relay Moduule driven by playfield lamp		REV: 1.0
嘉立创EDA	Company: Azure Productions	Sheet: 1/1
	Date: 2023-05-02	Drawn By: John.Frank