

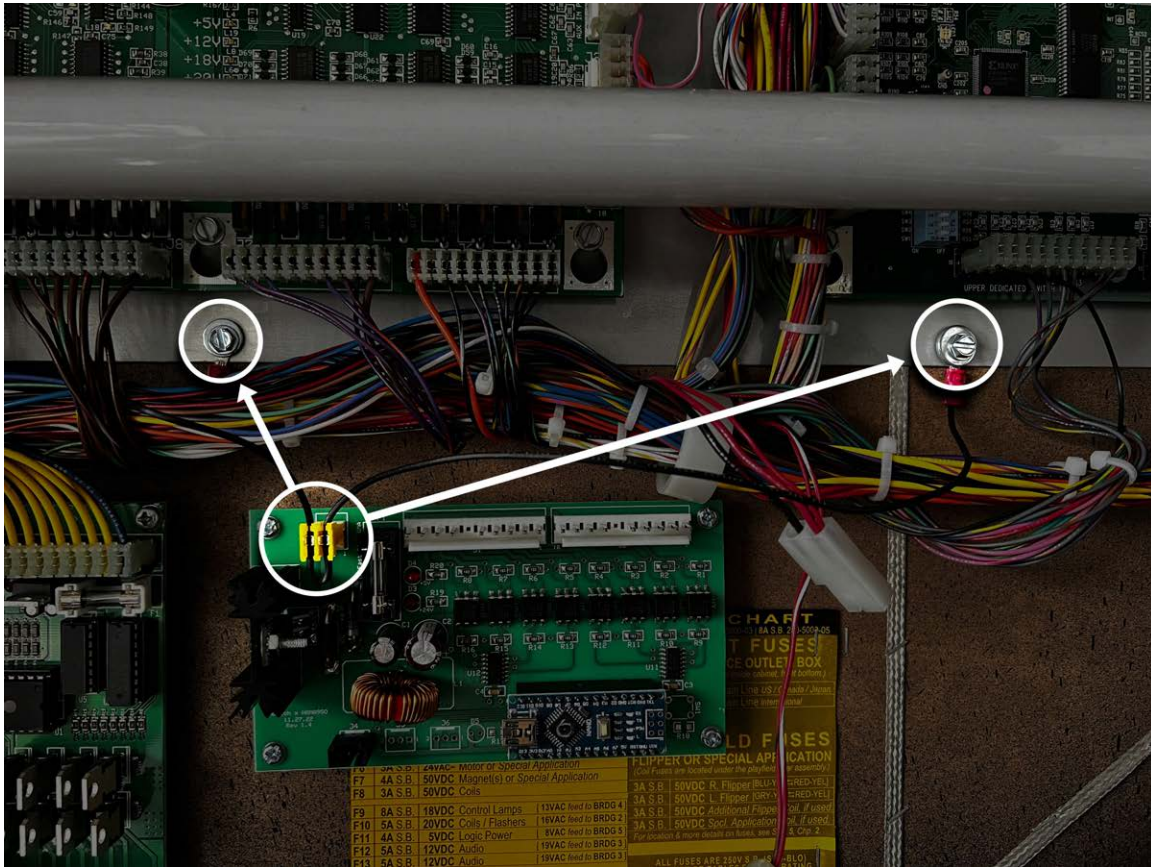
## Step 1

### **Make sure your game is powered off!**

Install the green controller board in the back box of your Tron as shown above, using the 4 included screws and white plastic spacers to hold the board away from the wood

What's important in the placement is that it's under the white connector above it, so place it roughly the same as the photo so we have enough slack to reach.

(Note: the board you see on the far left in the photo above is an LED OCD I have installed in my game, you probably won't have anything there)



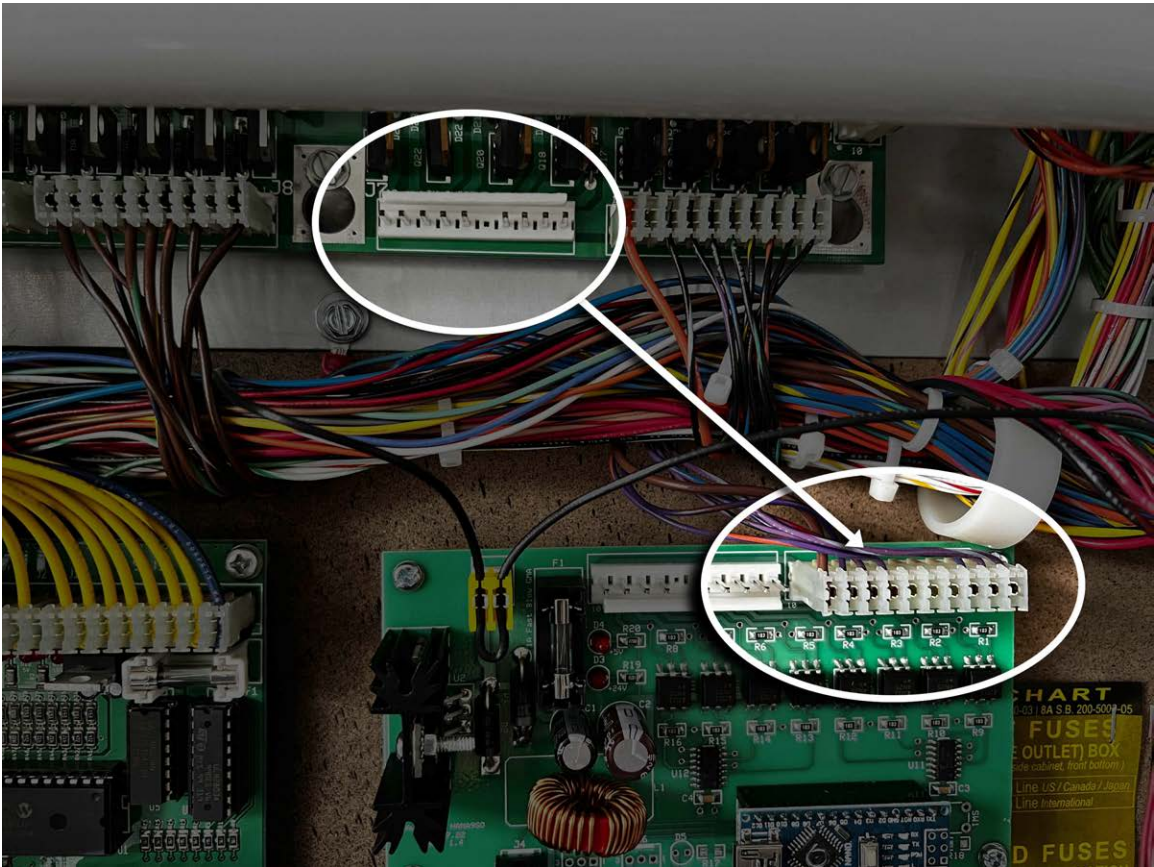
## Step 2

Plug the yellow connector with two wires coming off of it into the upper left of the new circuit board.

The two wires are for grounding the board, and attach under the two screws marked above.

Take care when removing the screws, the washer behind them is loose and will drop down into your cab!

Put the screws through ring terminals at the end of the wires and screw back into game. Make sure they're tight, you want good metal on metal contact.

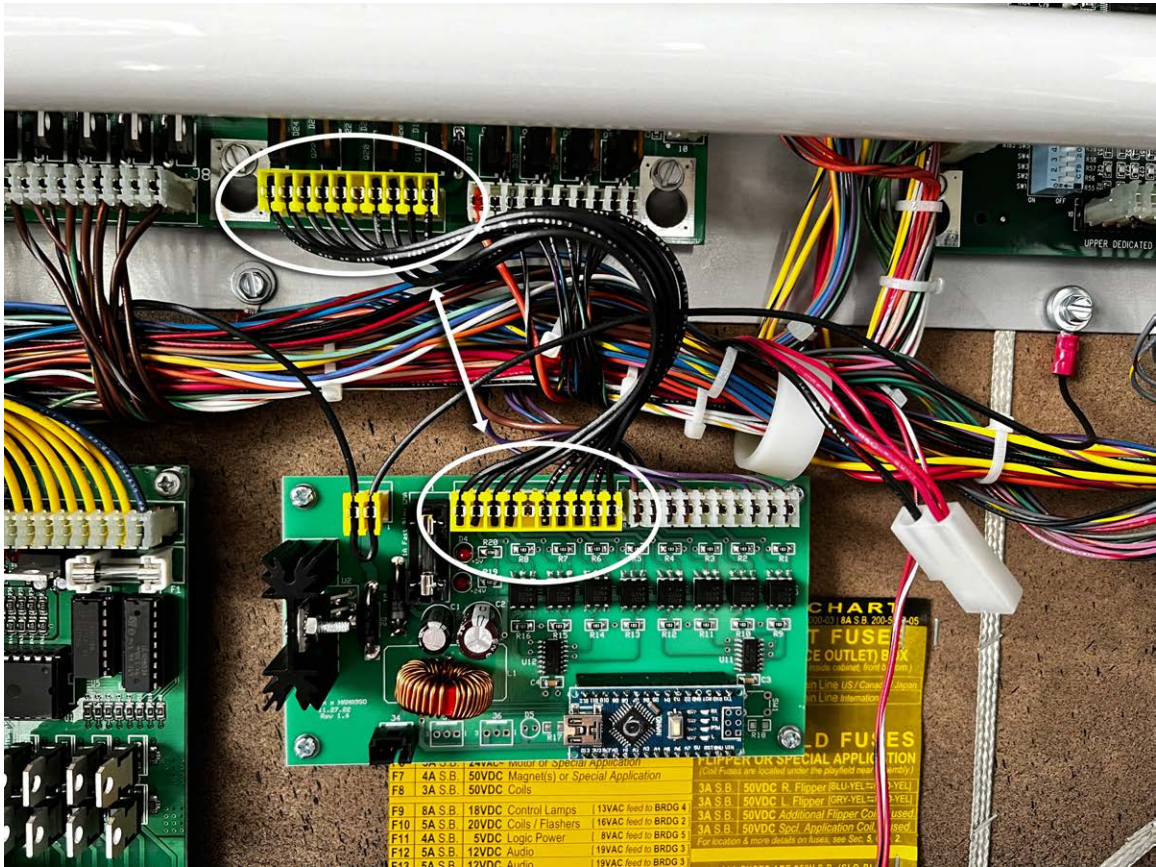


### Step 3

Unplug the white connector above. It's the second one from the right.

Plug it into the right side of the new circuit board.

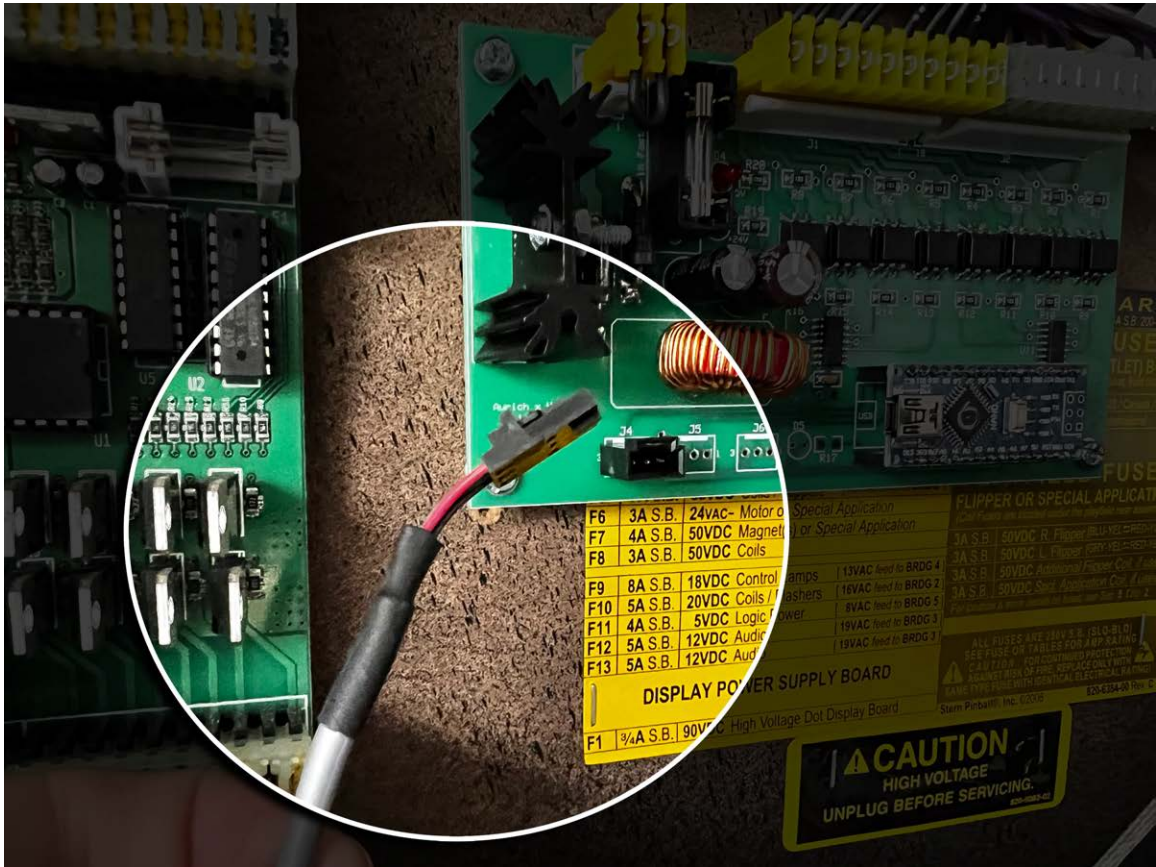
The photo above shows it moved properly.



## Step 4

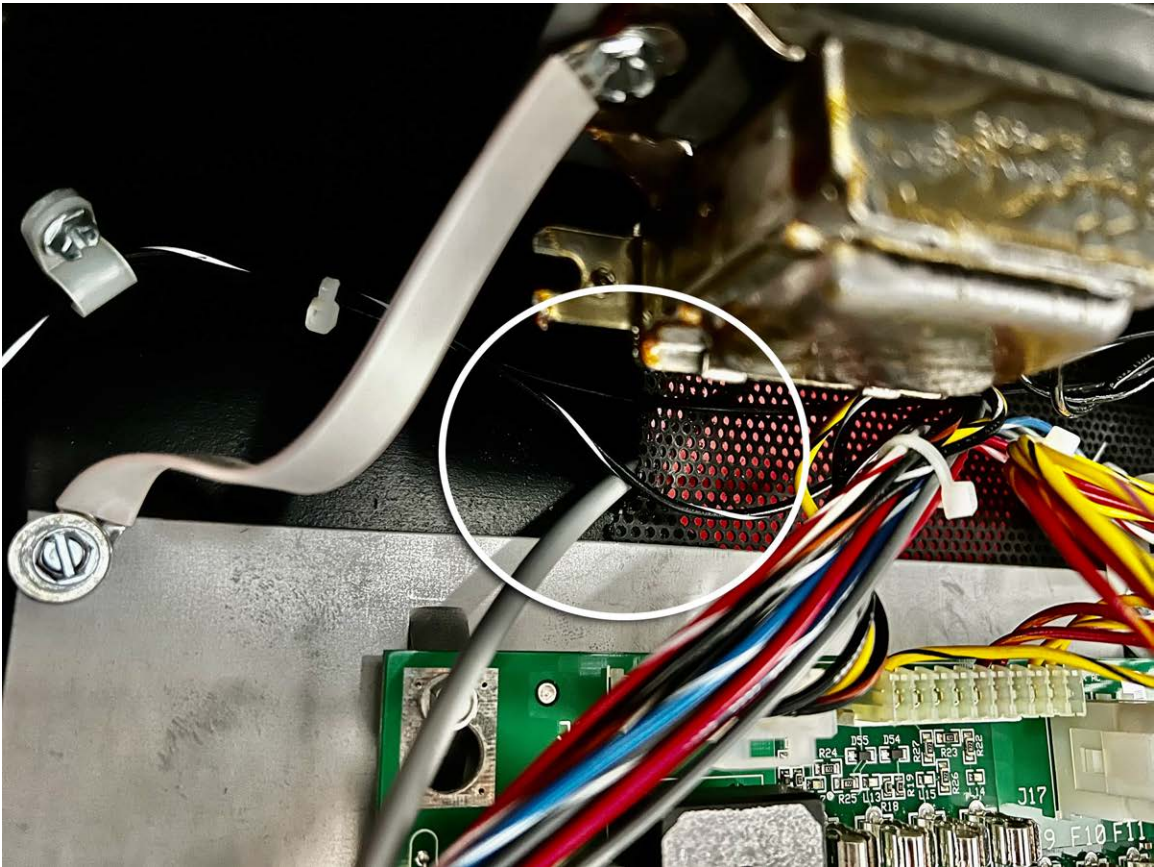
Plug one yellow connector into the place you just removed the white connector from.

Plug the other yellow connector into the empty spot on the new circuit board.



## Step 5

You're ready to connect to the topper. First step is take the long grey cable and plug one end of it into the new circuit board, down in the lower left corner.

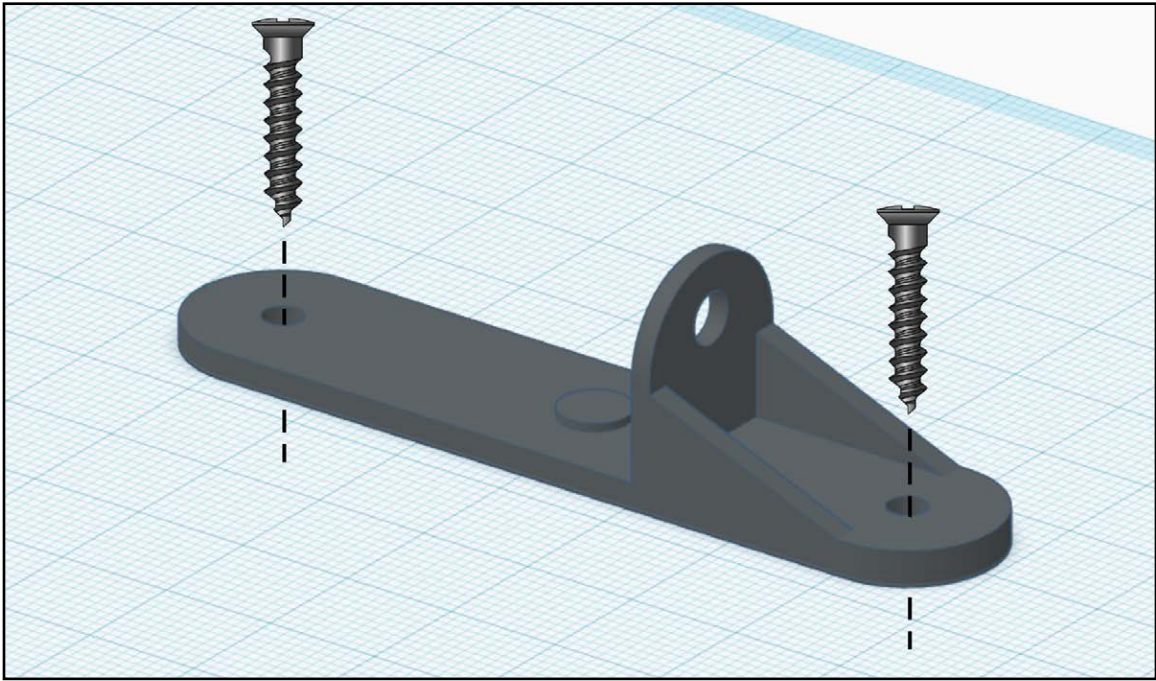


## Step 6

Route the cable up to the top left of the backbox.

My recommended method to get it out is to remove a staple or two from the black plastic mesh covering the holes so you can lift a corner of it and slip the cable under it and pull it through so it can reach the top of your game.

You can now plug the other end into the back of the topper.



## **Topper Install**

How you secure your topper to the top of your game is a personal preference.

My recommendation is to use the included black screws to screw the feet down.

You don't want it falling if someone nudges the game a little too hard!