

25F515-306	Capacitor 40 MFD. 50v #6 x 1" RHWS #6 Washer
08R2908	Rubber Washer 1/8"
31R527-002	Spacer #6 x 3/8"
15S2889	Upper Chassis Harness
75M2893	Upper Chassis Harness Layout

LOWER ASSEMBLY

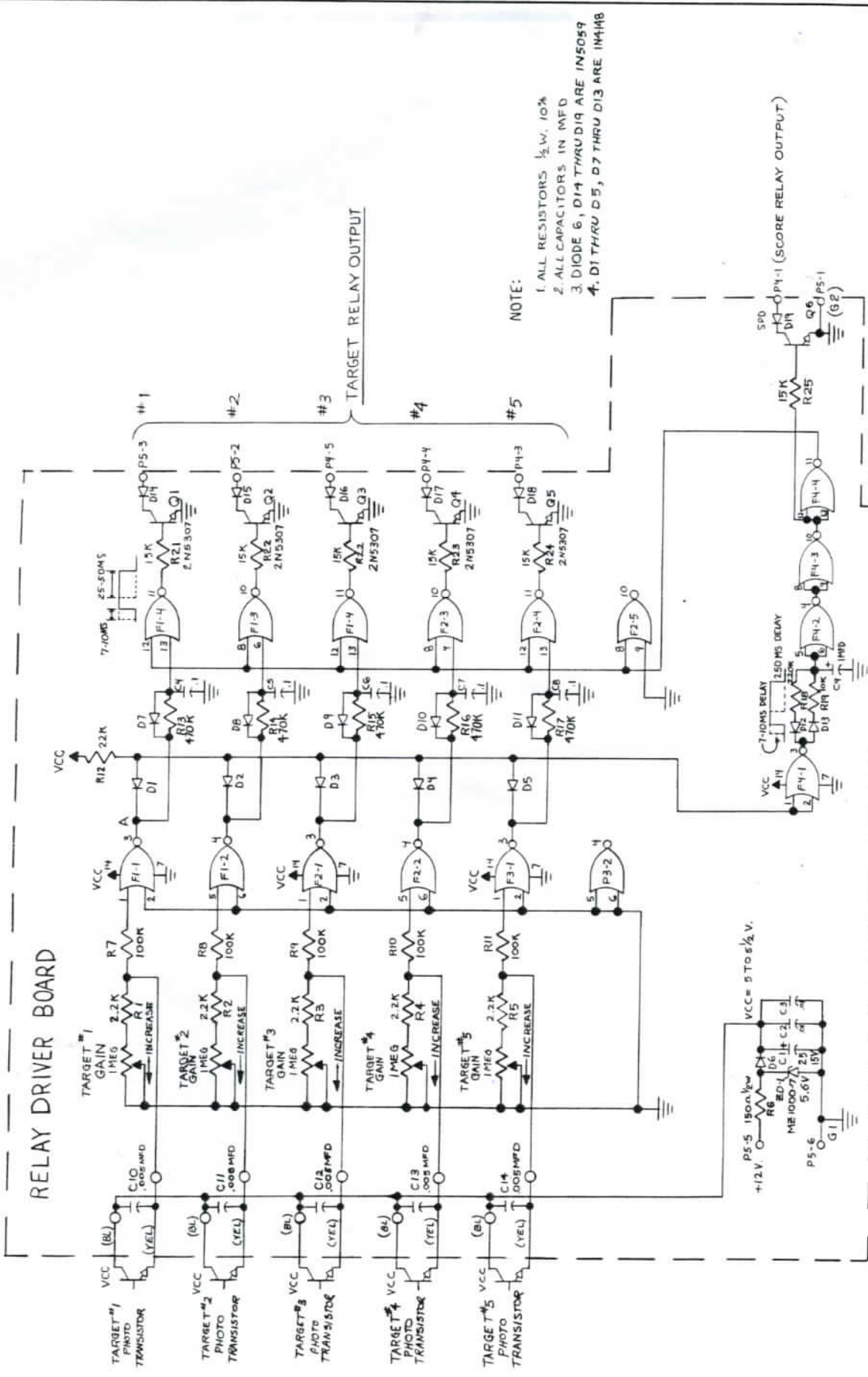
11S2757	Rope Bracket
11S2760	Switch Bracket
12S2752	Pully Pin
14R2857	Blower Assembly Spring
01R2909	Rope-Upper
31R2669	Cotter Pin 3/32" x 3/4"
31R2867	Screw Eyelet #6 x 3/4"
08R2911	Rubber Whistle Washer
75M2892	Blower Carriage Harness Layout
50S2815	Drilled Board
23R300-352	Resistor 22K OHM. 1/2w 10%
25R511-410	Capacitor 25 MFD 15v
18R2912	Plug - 6 Pin Wafer
30R2913	Bead Chain Terminals Schematic
56S2896	Silk Screen Artwork

TARGET ASSEMBLY

30R2879	Lamp Pins Target - Front Target - Back
15S2895	Target Wires
07S2833	Lampsocket Holder
18R2807	Kwik Plug
22R2798	Opto-Isolator
30R196	Fuse Clip
15R225	Line Cord
36R538	#256 Lamp
30R231	6 Pin T.S.
30R2594	3 Pin T.S.
23R300-312	Resistor 10 OHM. 1/2w 10%
23R300-326	Resistor 150 OHM. 1/2w 10%
23R2709-001	Resistor 301 OHM. 1/2w 1%
23R2709-002	Resistor 332 OHM. 1/2w 1%
23R2713-001	Resistor 20 Ohm. 20w
23R2907	Resistor 100 OHM. 50w
25R515-209	Capacitor 2000 MFD. 25v
25R515-208	Capacitor 1000 MFD. 25v

SERVICE NOTES

RELAY DRIVER BOARD



- NOTE:
1. ALL RESISTORS 1/2W, 10%
 2. ALL CAPACITORS IN MFD
 3. DIODE 6, D14 THRU D19 ARE 1N5059
 4. D1 THRU D5, D7 THRU D13 ARE 1N4148

DATE	9-12-73	SCALE	1/4"	INVERTER	7414	7414	MILWAUKEE WIS
DESIGNED BY		REVISED BY		APPROVED BY			
CHECKED BY		TESTED BY		RELEASED BY			
PROJECT NO.		WORK CENTER		OPERATOR			
REV.		UNIT		TIME			

MCI LTD
RELAY DRIVER BOARD
FOR AIR BALL

70 M 29/5

100

100

100

100

100

100

100

100

100

100

100

100

100

100

100

100

100

100

100

100

100

100

100

100

100

100

100

100

100

100

100

100

100

100

100

100

100

100

100

100

100

100

100