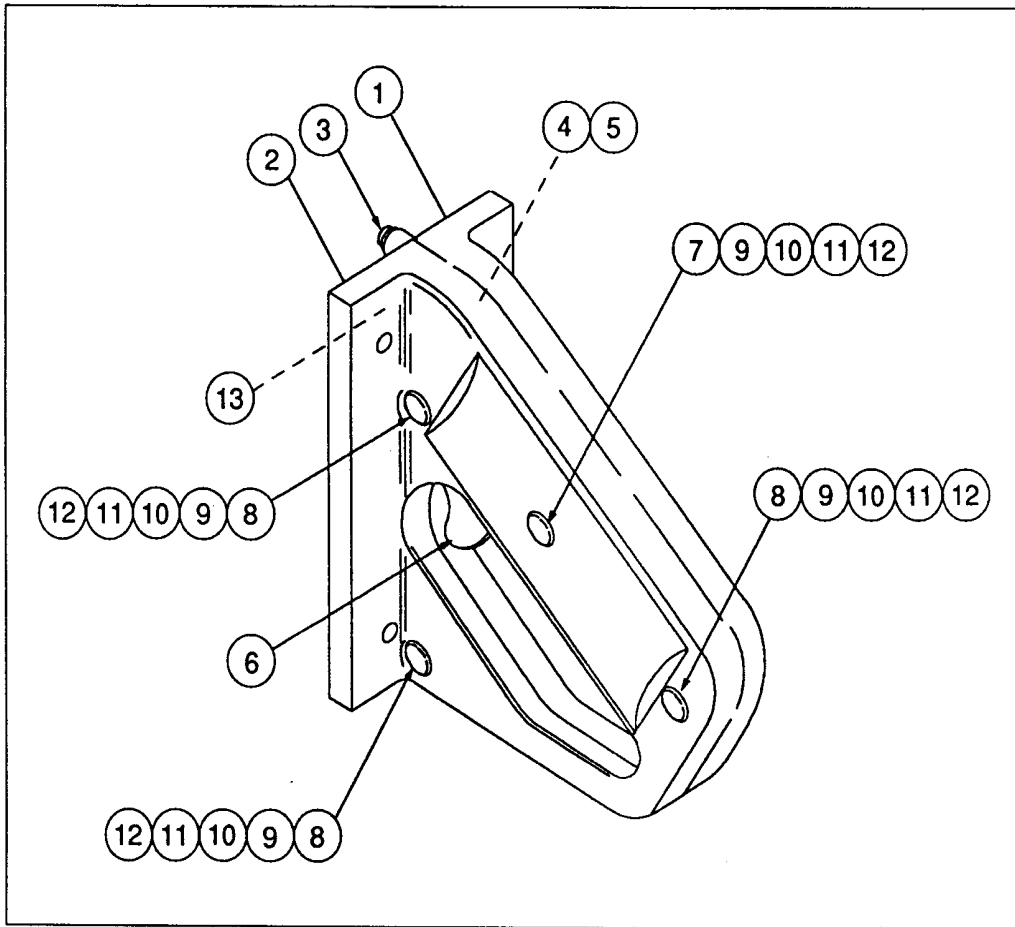


A-14680 Gun Handle Assembly



| Item | Part Number | Description |
|------|----------------|----------------------------------|
| 1. | 21-6686-L | Gun Handle, Left |
| 2. | 21-6686-R | Gun Handle, Right |
| 3. | A-14712 | Bushing Firing Pin Assembly |
| 4. | 10A-304 | Spring |
| 5. | 02-4558 | Firing Pin Assembly |
| 6. | A-14694 | Trigger Assembly |
| 7. | 02-4546 | Fastner- Button Head |
| 8. | 02-4547 | Fastner- Button Head |
| 9. | 4010-01097-06B | Mach. Screw, #10-32 x 3/8" |
| 10. | 4700-00129-00B | Flatwasher, 13/64 x 15/32 |
| 11. | 4702-00014-00B | Lockwasher 1/4" Internal Tooth |
| 12. | 4702-00013-00B | Lockwasher, #10 Internal Tooth |
| 13. | 4006-01003-08 | Mach. Screw, 6-32 x 1/2 Hd. SEMS |