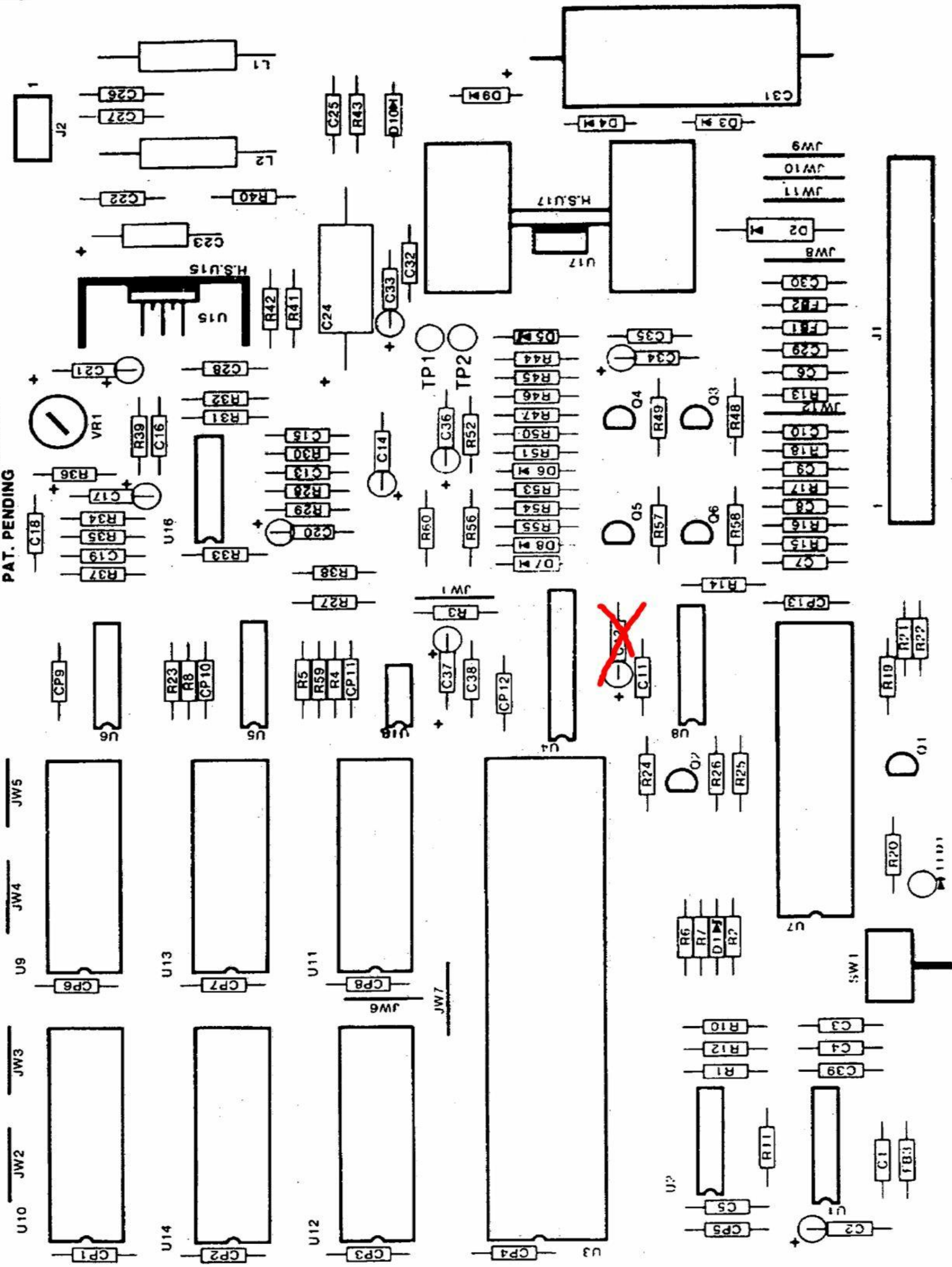


© 1986 BALLY MIDWAY MFG. CO.  
 ALL RIGHTS RESERVED  
 PAT. PENDING

A080-91864-C000



7/25/86 REL FOR PRODUCTION CM-1  
 REVISIONS

SCALE	USED ON Pinball	Bally / MIDWAY MFG. CO. FRANKLIN PK. ILL.
	NO. REQ'D	
ASSEMBLY DRAWING SOUNDS DELUXE P.C.B.D. A084-91864-C000		PART NO. M051-00114-C153

DESIGNATION LIST

<u>DESIGNATION</u>	<u>DESCRIPTION</u>
CP1,CP2	.1 UF AX CER
CP3-CP13	.01 UF AX CER
C1	.1 UF AX CER
C2	10 UF RD TANT
C3-C5	NOT INSERTED
C6	470 PF AX CER
C7-C10	100 PF AX CER
C11	.01 UF AX CER
C12	47 UF AX ELEC
C13	470 PF AX CER
C14	1 UF AX TANT
C15	.01 UF AX CER
C16	68 PF AX CER
C17	.1 UF AX TANT
C18	.001 UF AX CER
C19	82 PF AX CER
C20	10 UF AX TANT
C21	1 UF AX TANT
C22	.05 UF RD CER
C23	470 UF AX ELEC
C24	1000 UF AX ELEC
C25	.1 UF AX CER
C26,C27	.22 UF AX CER
C28-C30	.1 UF AX CER
C31	4700 UF AX ELEC
C32	.01 UF AX CER
C33,C34	4.7 UF RD TANT
C35	.01 UF AX CER
C36	NOT INSERTED
C37	10 UF AX TANT
C38	.01 UF AX CER
C39	.1 UF AX CER
D1	NOT INSERTED
D2	VR330
D3,D4	1N4004
D5-D8	NOT INSERTED
D9,D10	1N4004
FB1-FB3	FERRITE READ
HS U15	HEATSINK TO-220
HS U17	HEATSINK TO-220
ICS U3	64 PIN I.C. SOCKET
ICS U4	20 PIN I.C. SOCKET
ICS U7	40 PIN I.C. SOCKET
ICS U8	16 PIN I.C. SOCKET
ICS U9-U14	28 PIN I.C. SOCKET

DESIGNATION LIST

<u>DESIGNATION</u>	<u>DESCRIPTION</u>
INS U15, INS U17	SIL PAD THERMAL WASHER
J1,J2	AUTO INSERT PIN TIN .045 SQ.
JW1-JW12	JUMPER WIRE
L1,L2	10 UH INDUCTOR
LED 1	GREEN LED
MH U15	SCREW, 6-32
MH U15	NUT, 6-32
MH U15	WASHER, #6 STAR
MH U17	SCREW, 4-40
MH U17	NUT, 4-40
MH U17	WASHER, #4 STAR
Q1,Q2	2N5305
Q3-Q6	NOT INSERTED
R1-R8	4.7K OHM 1/4W CRBN
R9	NOT USED
R10-R12	NOT INSERTED
R13	10K OHM 1/4W CRBN
R14	100K OHM 1/4W CRBN
R15-R18	10K OHM 1/4W CRBN
R19	47K OHM 1/4W CRBN
R20	100 OHM 1/4W CRBN
R21-R23	4.7K OHM 1/4W CRBN
R24	2.7K OHM 1/4W CRBN
R25	180 OHM 1/4W CRBN
R26	68 OHM 1/4W CRBN
R27	62K OHM 1/4W CRBN
R28	120K OHM 1/4W CRBN
R29	75K OHM 1/4W CRBN
R30	33K OHM 1/4W CRBN
R31	18K OHM 1/4W CRBN
R32	33K OHM 1/4W CRBN
R33	47K OHM 1/4W CRBN
R34	150K OHM 1/4W CRBN
R35	82K OHM 1/4W CRBN
R36	150K OHM 1/4W CRBN
R37	200K OHM 1/4W CRBN
R38	1K OHM 1/4W CRBN
R39	33K OHM 1/4W CRBN
R40	430 OHM 1/4W CRBN
R41	220 OHM 1/4W CRBN
R42	2.2 OHM 1/4W CRBN

DESIGNATION LIST

<u>DESIGNATION</u>	<u>DESCRIPTION</u>
R43	1 OHM 1/4W CRBN
R44-R58	NOT INSERTED
R59	4.7K OHM 1/4W CRBN
R60	10K OHM 1/4W CRBN
SW1	PC MTG. SWITCH
TP1,TP2	TEST POINT
U1	16 MHZ COSC
U2	74LS74
U3	MC68000G8 CPU
U4	PAL16L8A-2 SDOORO
U5	74LS05
U6	74F32
U7	MC6821
U8	AD7533 DAC
U9,U10	RAM 2K X 8
U11-U14	ROM/EPROM
U15	TDA2002
U16	LM3900
U17	MC7805 REG.
U18	TL7705
VR1	10K POT.

CROSS REFERENCE

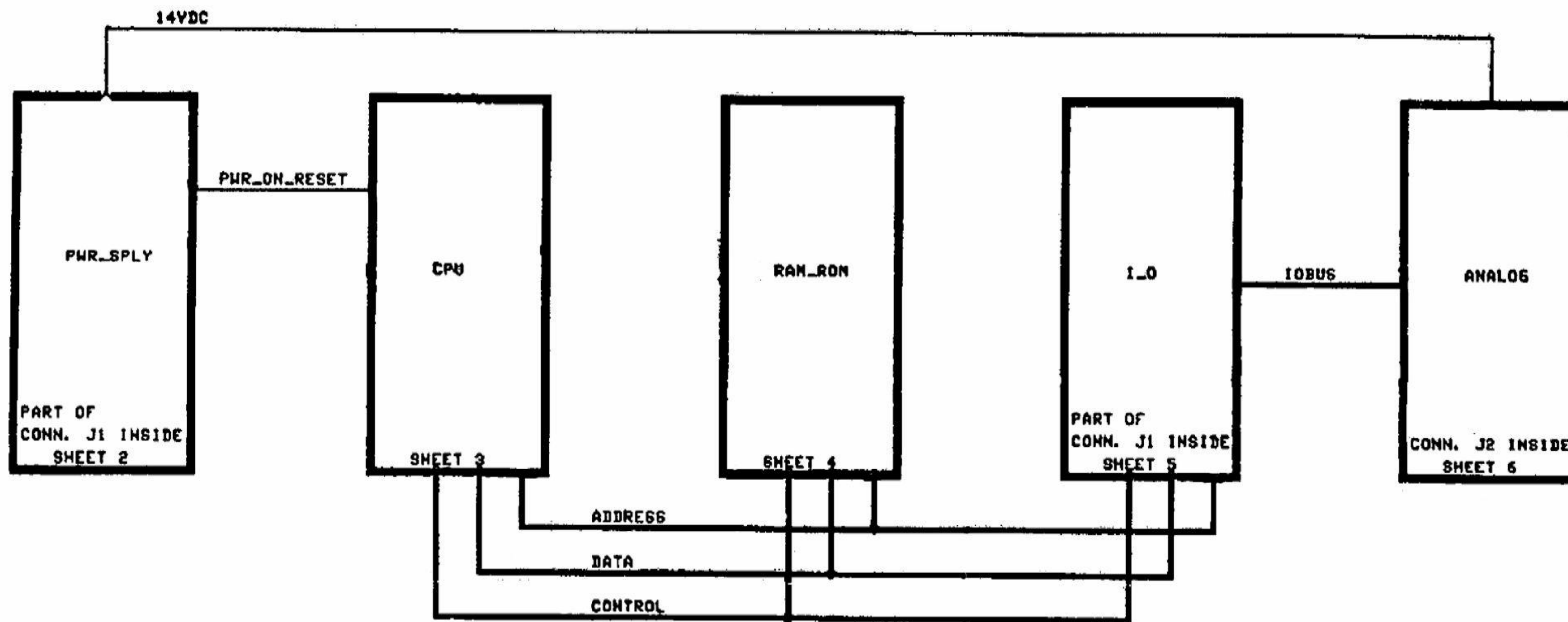
<u>DESCRIPTION</u>	<u>QTY.</u>	<u>DESIGNATION</u>	<u>PART NUMBER</u>
68 PF AX CER 5%	1	C16	0360-00800-0028
82 PF AX CER 5%	1	C19	0E47-00800-0002
100 PF AX CER	4	C7-C10	0360-00800-0046
470 PF AX CER 10%	2	C6,C13	0307-00800-0008
.001 UF AX CER 10%	1	C18	0E47-00800-0003
.01 UF AX CER 10%	1	C15	0E47-00800-0001
.01 UF AX CER	15	CP3-CP13,C11,C32 C35,C38	0360-00800-0005
.05 UF RD CER	1	C22	0360-00800-0006
.1 UF AX CER	8	CP1,CP2,C1,C25, C28-C30,C39	0360-00800-0058
.22 UF AX CER	2	C26,C27	0360-00800-0057
1 UF AX TANT	3	C14,C17,C21	0986-00800-1400
4.7 UF RD TANT	2	C33,C34	0360-00800-0008
10 UF AX TANT	3	C2,C20,C37	0986-00800-0700
47 UF AX ELEC	1	C12	0360-00800-0042
470 UF AX ELEC	1	C23	0360-00800-0021
1000 UF AX ELEC	1	C24	0360-00800-0044
4700 UF AX ELEC	1	C31	0360-00800-0023
1 OHM 1/4W CRBN	1	R43	100E-00005-0002
2.2 OHM 1/4W CRBN	1	R42	100E-00005-0003
68 OHM 1/4W CRBN	1	R26	100E-00005-0029
100 OHM 1/4W CRBN	1	R20	100E-00005-0033
180 OHM 1/4W CRBN	1	R25	100E-00005-0039
220 OHM 1/4W CRBN	1	R41	100E-00005-0041
430 OHM 1/4W CRBN	1	R40	100E-00005-0050
1K OHM 1/4W CRBN	1	R38	100E-00005-0061
2.7K OHM 1/4W CRBN	1	R24	100E-00005-0071
4.7K OHM 1/4W CRBN	12	R1-R8,R21-R23,R59	100E-00005-0079
10K OHM 1/4W CRBN	6	R13,R15-R18,R60	100E-00005-0088
18K OHM 1/4W CRBN	1	R31	100E-00005-0093
33K OHM 1/4W CRBN	3	R30,R32,R39	100E-00005-0100
47K OHM 1/4W CRBN	2	R19,R33	100E-00005-0104
62K OHM 1/4W CRBN	1	R27	100E-00005-0107
75K OHM 1/4W CRBN	1	R29	100E-00005-0110
82K OHM 1/4W CRBN	1	R35	100E-00005-0112
100K OHM 1/4W CRBN	1	R14	100E-00005-0115
120K OHM 1/4W CRBN	1	R28	100E-00005-0118
150K OHM 1/4W CRBN	2	R34,R36	100E-00005-0120
200K OHM 1/4W CRBN	1	R37	100E-00005-0123
10K POT	1	VR1	0360-00804-0024
1N4004	4	D3,D4,D9,D10	103E-00003-0005
VR330	1	D2	0360-00801-0007

**SOUNDS DELUXE**  
**A084-91864-C000**  
**M051-00114-C154**

**CROSS REFERENCE**

<u>DESCRIPTION</u>	<u>QTY.</u>	<u>DESIGNATION</u>	<u>PART NUMBER</u>
2N5305	2	Q1,Q2	0360-00802-0012
74F32	1	U6	0304-00803-0059
74LS05	1	U5	0E47-00803-0002
74LS74	1	U2	0304-00803-0058
AD7533 DAC	1	U8	0304-00803-0055
16 MHZ COSC	1	U1	0304-00804-0008
LM3900	1	U16	0360-00803-0002
MC6821	1	U7	0304-00803-0054
MC68000 G8 CPU	1	U3	
MC7805 REG	1	U17	0360-00803-0050
PAL16L8A-2 SDOORD	1	U4	0E47-00803-0001
RAM 2K X 8	2	U9,U10	0E47-00803-0003
TDA2002	1	U15	0360-00803-0009
TL7705AC	1	U18	0066-447RX-XXCX
ROM/EPROM	4	U11-U14	SEE ROM/EPROM SHEET
FERRITE BEAD	3	FB1-FB3	0316-00804-0002
10 UH INDUCTOR	2	L1,L2	0360-00804-0031
16 PIN I.C. SOCKET	1	ICS U8	110E-00001-0003
20 PIN I.C. SOCKET	1	ICS U4	110E-00001-0005
28 PIN I.C. SOCKET	6	ICS U9-ICS U14	110E-00001-0010
40 PIN I.C. SOCKET	1	ICS U7	110E-00001-0011
64 PIN I.C. SOCKET	1	ICS U3	110E-00001-0016
HEATSINK T0-220	1	HS U15	112E-00001-0011
HEATSINK T0-220	1	HS U17	0E47-00804-0001
SIL PAD THERMAL WASHER	2	INS U15, INS U17	0017-00042-0319
SCREW, 6-32	1	MH U15	0017-00101-0339
NUT, 6-32	1	MH U15	0017-00103-0005
WASHER, #6 STAR	1	MH U15	0017-00104-0009
SCREW, 4-40	1	MH U17	0017-00101-0731
NUT, 4-40	1	MH U17	0017-00103-0002
WASHER, #4 STAR	1	MH U17	0017-00104-0071
AUTO INSERT PIN TIN .045 SQ.	16	J1,J2	0304-00804-0010
JUMPER WIRE	12	JW1-JW12	117E-00001-0003
GREEN LED	1	LED 1	119E-00001-0001
TEST POINT	2	TP1,TP2	0017-00007-0131
PC MTG. SWITCH	1	SW1	0986-00804-3100
PC BOARD	1	--	A080-91864-C000

8/01/86 Rev. 1 - Changed Filter Values, C13,C15,C16,C18,C19,R39 CMM  
8/05/86 Rev. 2 - Removed D1 CMM.  
8/11/86 Rev. 3 - Added CP11-CP13 CMM.  
8/15/86 Rev. 4 - Added ICS U13, ICS U14. Fixed Desig. list U5, U6.  
Corrected qty. of Ferrite Bead.



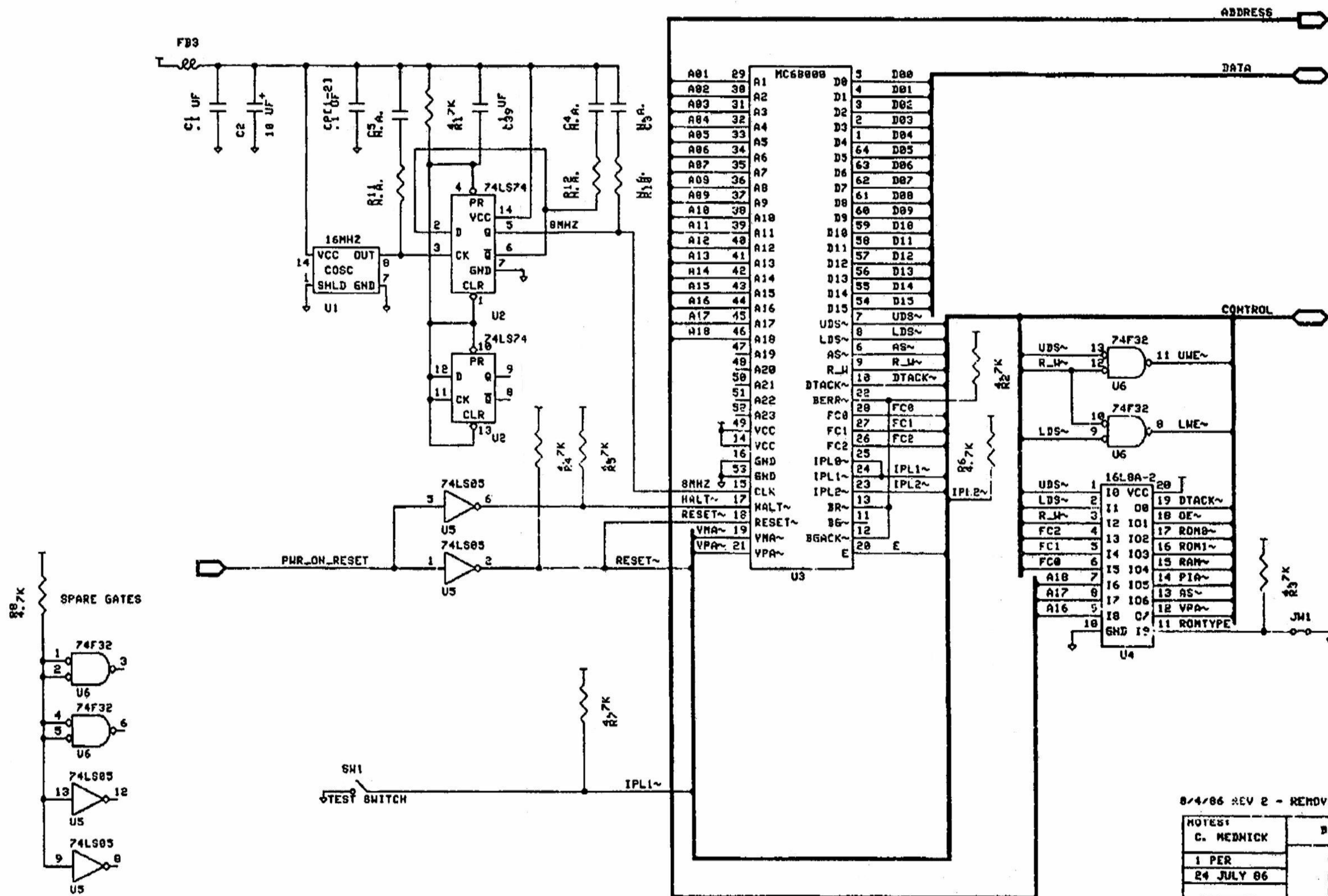
8/11/86 REV 3 - Changed page 2. CMW  
 8/4/86 REV 2 - Changed page 3. CMW  
 8/1/86 REV 1 - Changed page 6

NOTES:	BALLY MIDWAY MFG. CO.
C. WEDNICK	
1 PER	SOUNDS DELUXE
24 JULY 86	A884-91864-C888
	M851-88114-C155
	SHEET 1 OF 6
	REV

LAST USED: C39, CP13, D10, FB3, JE, JW12, LE, R60, SW1, TPE, LED1, VR1  
 NOT INSERTED: C3-C5, C36, D1, D5-D8, Q3-Q6, R10-R12, R44-R50  
 NOT USED: R9

11 AUG 86 14145 7058K/CHP/CDUP IN 1. DRAM





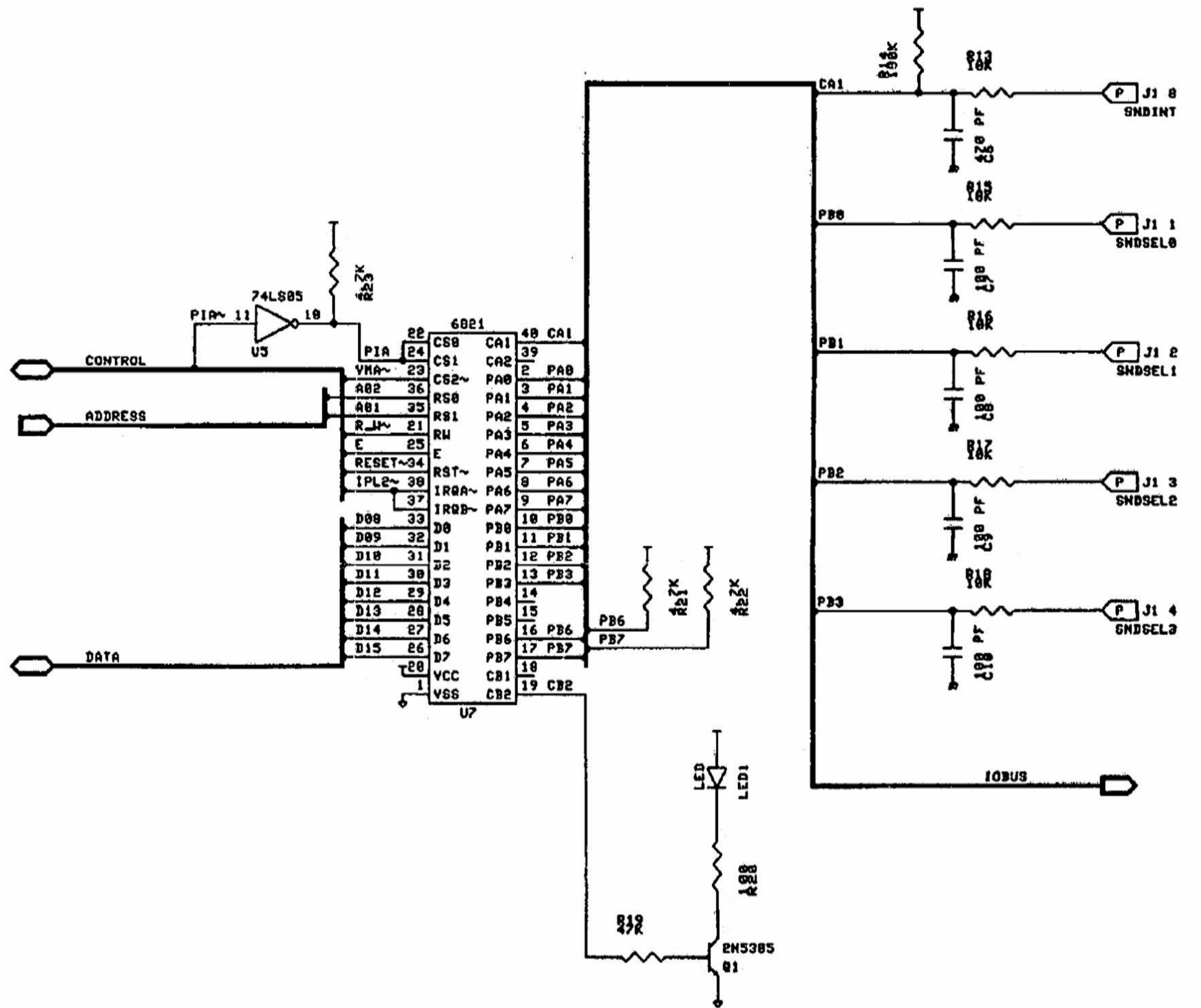
8/4/86 REV 2 - REMOVED D1. CHN

NOTES:	BALLY MIDWAY MFG. CO.
C. MEDNICK	
1 PER	SOUNDS DELUXE
24 JULY 86	A984-91864-C888
	M951-80114-C153
	SHEET 3 OF 6
	REV

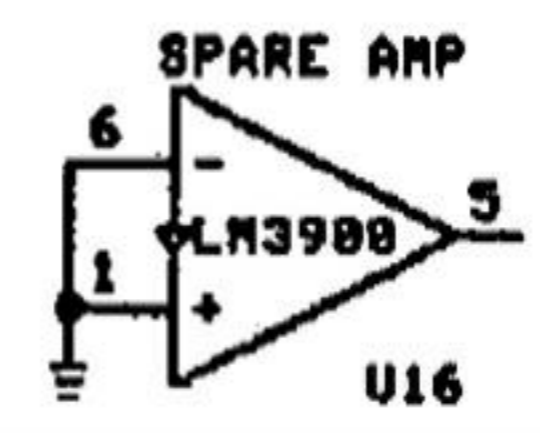
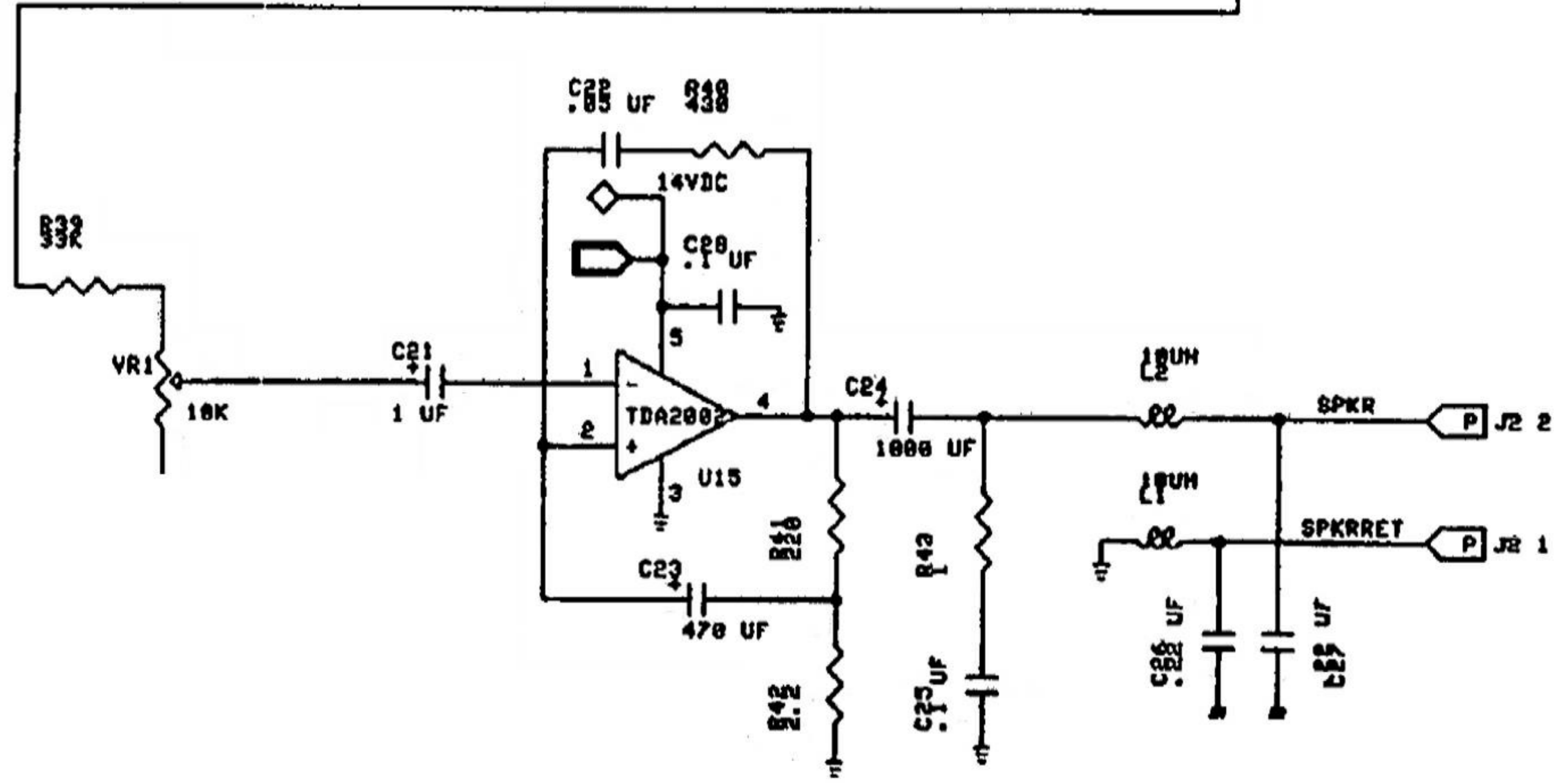
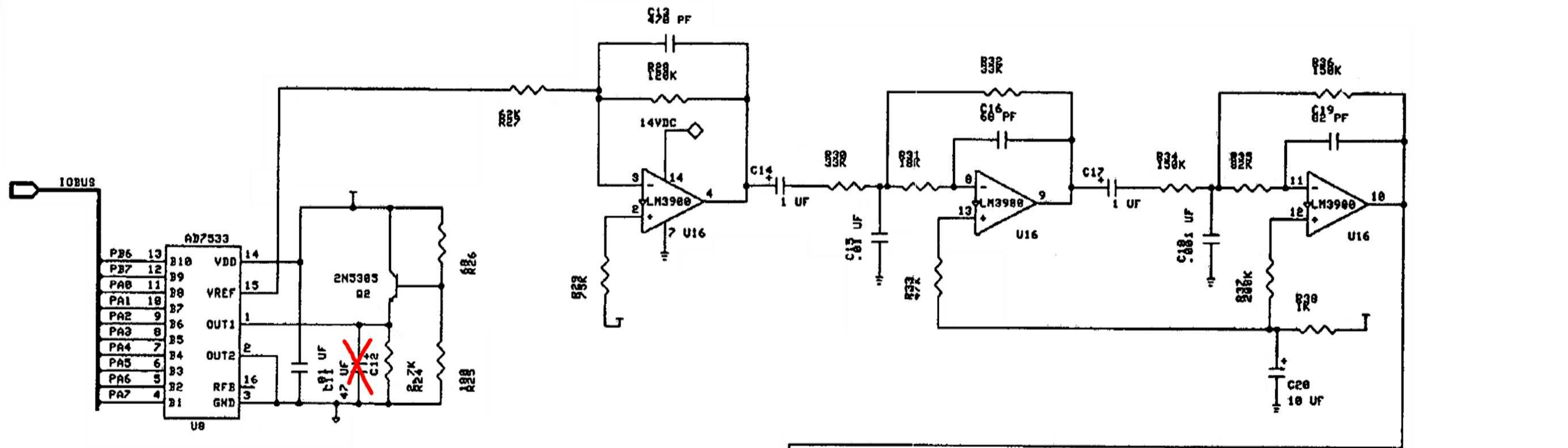
8/4/86 REV 2 - REMOVED D1. CHN







NOTES:	BALLY MIDWAY MFG. CO.
C. MEDNICK	
1 PER	SOUNDS DELUXE
24 JULY 86	8894-91864-C000
	M031-86114-C153
	SHEET 5 OF 6
	REV



NOTES:	BALLY MIDWAY MFG. CO.
C. MEDNICK	SOUNDS DELUXE
1 PER	ABB4-91064-C000
24 JULY 86	M851-00114-C155
	SHEET 6 OF 6 REV

81 AUG 86 0913 708K/CHP/2-00P/IN/AN/LOC 1. DNR