

# FISH TALES

16-9190-B



BRAM STOKER'S

# Dracula



Williams

# HOTSHOT

BASKETBALL

# THE GETAWAY





*Catalog Division - Publishings Group*

---

## PARTS CATALOG COMMUNICATION

---

To: WEG Parts Catalog Users  
Subject: PARTS CATALOG SUPPLEMENT #16-9190-B  
(Red Catalog)

From: WILLIAMS Parts Catalog Staff

The Games Parts Catalog supplement accompanying this communication is part of our ongoing program of game support at Williams Electronics Games, Inc.

In this supplement, the gray pages are arranged in page number order for each section of the Parts Catalog. This supplement contains two kinds of information:

- A. Several correction or reprinted pages, directly replacing white and/or blue pages of the original Parts Catalog.
- B. Many supplement pages, adding information to your Parts Catalog.

These pages, which have page numbers with a letter following the page number form a major portion of this supplement. They are designed to be placed in your catalog in page number order. Some will follow pages already in the catalog; for example, gray pages 1-4f through 1-4j should be inserted after the blue page numbered 1-4e.

Other supplement pages do not have page numbers followed by a letter, but their page numbers follow those furnished in the original Parts Catalog. They should be added after the final blue page of the section; for example, gray pages 5-69 through 5-96 are to be added after the blue page numbered 5-68.

**Be sure to discard pages with duplicate numbers in order to fit the entire gray supplement within the binder.**

We hope the information we are providing is helpful to you. If you note any errors while using this catalog or supplement (or have a suggestion about information you would like to see in the catalog), please let us know.

Send a note to the Parts Sales Department of Williams Electronics Games, Inc., describing the error and the page color and number on which it appears. Since this is the final supplement to the Red Catalog, we will ensure that the correction appears in an amendment. You can reach us at the address below:

Part Sales Department Manager  
Williams Electronics Games, Inc.  
3401 North California Avenue  
Chicago, Illinois 60618

**VIDEO GAME NAMES AND NUMBERS**  
(includes Kits)

Cross-Reference Tables

ALPHABETICAL LISTING		NUMERICAL LISTING	
Name	Number	Number	Name
High Impact (Upright)	40004	3044-K	Smash TV (Kit)
High Impact (Kit)	40104	3044-U	Smash TV (19" Upright)
Hit The Ice (Upright)	30003	3044-U1	Smash TV (25" Upright)
Hit The Ice (Kit)	30203	30003	Hit The Ice (Upright)
Smash TV (Kit)	3044-K	30203	Hit The Ice (Kit)
Smash TV (19" Upright)	3044-U	40004	High Impact (Upright)
Smash TV (25" Upright)	3044-U1	40104	High Impact (Kit)

**NOVELTY GAME NAMES AND NUMBERS**

Cross-Reference Tables

ALPHABETICAL LISTING		NUMERICAL LISTING	
Name	Number	Number	Name
Hotshot	60017	60001	Slugfest
Slugfest	60001	60017	Hotshot
Slugfest 2	60021	60021	Slugfest 2

Cashbox Assemblies & Related Parts - cont'd  
for Pinball Games (Domestic) & Novelty Game

Part Number	Description	Mach 50002	Fun 50003	River 50007	Hurr 50012	Term2 50013	Slug 60001
A-8567-50003-2	Cashbox Assembly		x				
A-8567-50007	Cashbox Assembly			x			
A-14407-1	Cashbox Assembly	x			x		
A-14641-1	Cashbox Assembly					x	
A-14643	Cashbox Assembly						x

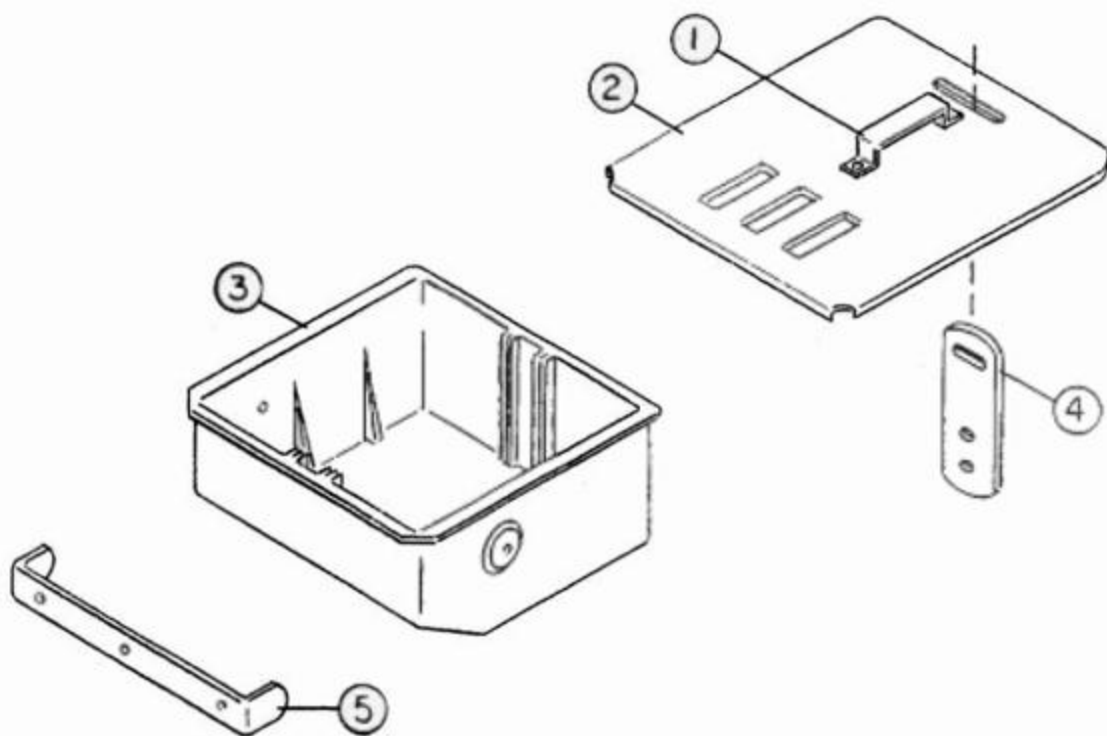
Item	Common Parts	Description	Game and Part Quantity					
1	01-9989	Handle	1	1	1	1	1	1
2	01-10020	Cashbox Cover	1	1	1	1	1	1
3	03-7626	Cashbox	1	1	1	1	1	1
4	01-3493-1*	Lock Bracket	1	1	1	1	1	1
5	01-6389-1*	Cashbox Nest	1	1	1	1	1	1

\*Mounted in Cabinet Assemblies.

**A-14407-1**

**A-14641-1**

**A-14643**





**Coin Door Assemblies  
for Pinball and Shuffle Alley Games (Domestic)**

Part Number	Description	Diner	Whirl	B/Cats	Roller
		571	574	575	576
		<b>Game and Part Quantity</b>			
C-13155-1	Coin Door Assembly	x	x	x	x
a) 09-8803	Coin Reject	2	2	2	2
b) 09-17002-26	Coin Door	1	1	1	1
c) 12-6801	Wire Retainer Clip	1	1	1	1
d) 31-1524-1	Coinage Decal	1	1	1	1

Part Number	Description	Shuffle Inn	Shuffle Inn Delx	Strike Master
		1922	10001	10002
		<b>Game and Part Quantity</b>		
A-14148-1	Coin Door Assembly			x
a) 09-8803	Coin Reject			2
b) 09-23002-1	Coin Door (WPC)			1
c) 31-1524-1	Coinage Decal			1
C-13155-1	Coin Door Assembly	x	x	
a) 09-8803	Coin Reject	2	2	
b) 09-17002-26	Coin Door	1	1	
c) 12-6801	Wire Retainer Clip	1	1	
d) 31-1524-1	Coinage Decal	1	1	

**Coin Door Assemblies  
for Pinball Games and Novelty Game (Domestic)**

Part Number	Description	Mach	Fun	River	Hurr	Term2	Slug
		50002	50003	50007	50012	50013	(50001) (50021)
		<b>Game and Part Quantity</b>					
A-14148-1	Coin Door Assembly	x	x		x	x	x
a) 09-8803	Coin Reject	2	2		2	2	2
b) 09-23002-1	Coin Door	1	1		1	1	1
c) 31-1524-1	Coinage Decal	1	1		1	1	1
C-13155-1	Coin Door Assembly		*	x			
a) 09-8803	Coin Reject		*	2			
b) 09-17002-26	Coin Door (WPC)		*	1			
c) 12-6801	Wire Retainer Clip		*	1			
d) 31-1524-1	Coinage Decal		*	1			

\*First 250 games.

## SECTION 9

### CASHBOXES AND COIN DOORS

#### Contents

Cashbox Assemblies:	
Novelty Games .....	9-0a, 9-0c, 9-9a
Pinball Games (Domestic and Foreign) .....	9-0 to 9-1
Shuffle Alley Games .....	9-2
Coin Door Assemblies for Pinball and Shuffle Alley Games:	
2-Chute (Domestic and Foreign) .....	9-2a to 9-6c
3-Chute (Foreign) .....	9-2a to 9-6c
Coin Door Assemblies for Novelty Games:	
Slugfest (60001) & Slugfest 2 (60021) .....	9-2a, 9-6a to 9-6c
Hotshot (60017) .....	9-2b, 9-9a, 9-9b
Coin Door/Cashbox Assemblies:	
Video Upright Games .....	9-6d to 9-9
Coin Door Denominations .....	9-10
Coin Door Inserts .....	9-11
Coin Door Labels .....	9-12

Instruction Materials



(60001)  
(60021)



(60017)

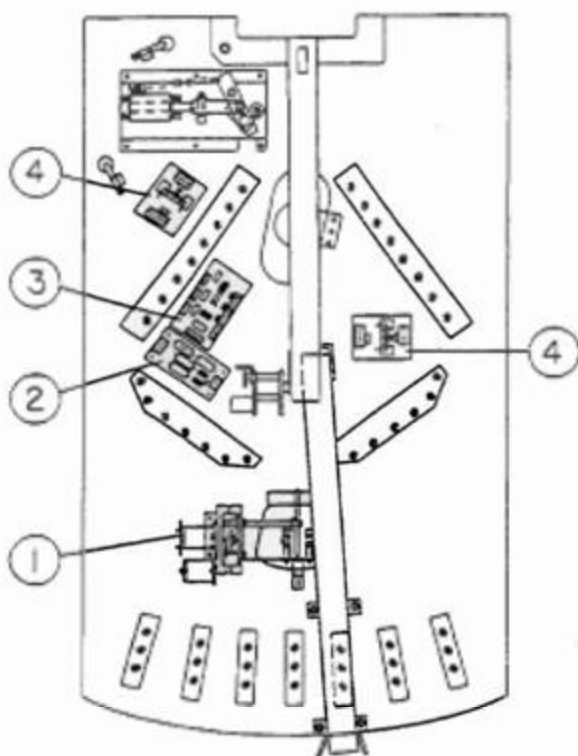


Part Number	Description	Slugfest 60001	Slugfest 2 60021	Hotshot 60017
16-9253	Chute Installation	x	x	
16-9462	Dome Installation			x
16-60001-1	Instruction Card	x	x	
16-60001-101	Operations Manual	x		
16-60001-AMD	Amendment #1	x		
16-60001-AMD-2	Amendment #2	x		
16-60001-AMD-3	Amendment #3	x		
16-60017-1	Instruction Card			x
16-60017-101	Operations Manual			x
16-60017-102	Schematics Manual			x
16-60021-101	Operations Manual		x	

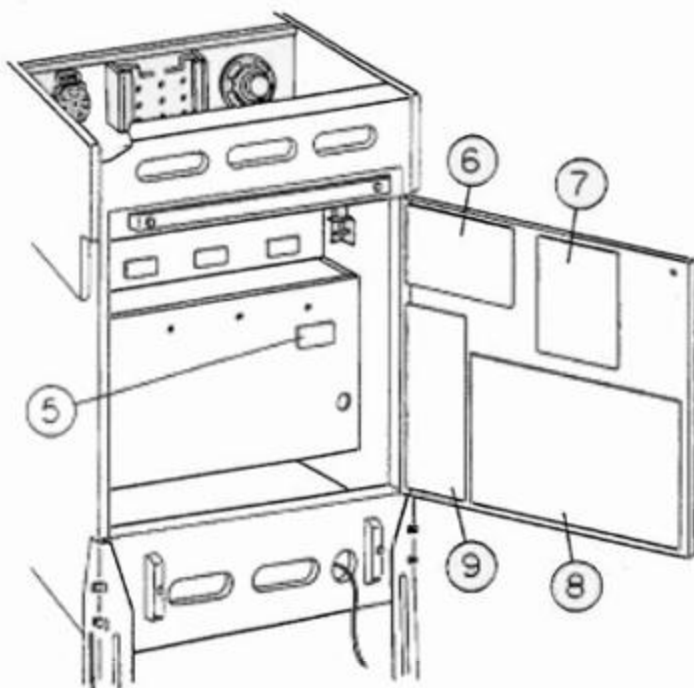
Note: All parts & assemblies for Slugfest 2 (60021) are identical to Slugfest (60001) except for the Card Dispenser Assembly (See pp. 11-23a & 11-23b).

Printed Circuit Board Locations  
 SLUGFEST (60001) and SLUGFEST 2 (60021)

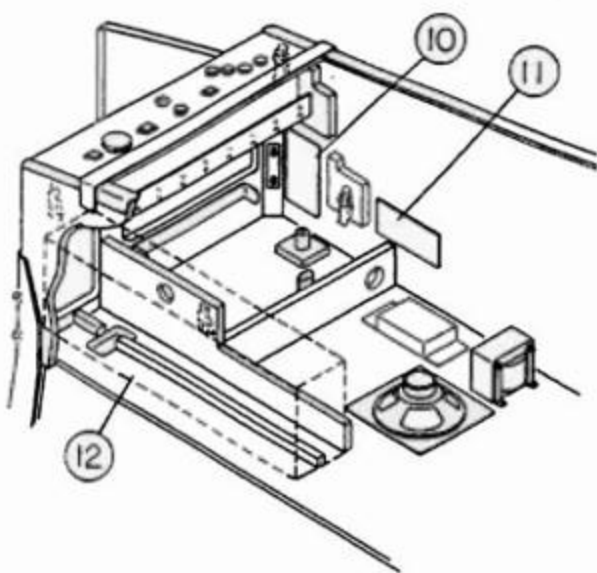
Playfield in Raised Position



Cabinet (Rear View)



Cabinet Interior



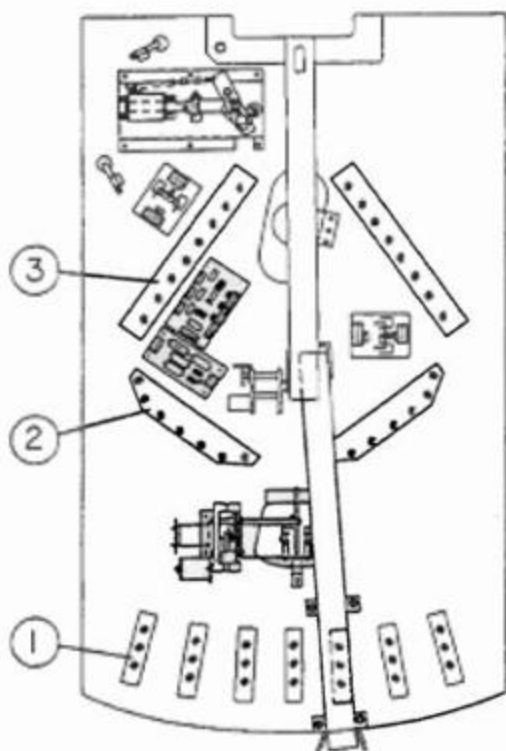
Item	Part Number	Description
1	A-14623	Motor EMI Filter (See p. 11-18)
2	A-14381	Motor Regulator Board
3	A-13901-1	Opto Ramp Switch Board
4	C-13509	High Current Driver Board
5	A-13901-2	Opto Ramp Switch Board
6	A-12738-60001	WPC Audio Board
7	A-14039	Dot Matrix Controller Board
8	A-12742-60001	WPC CPU Board
9	A-12697-1	WPC Power Driver Board
10	A-14102	WPC Coin Door Interface Board
11	A-14567	16-Diode Switch/Lamp Board
12	A-14633	Card Dispenser PCB (See p. 11-23)

Note: Schematics are available in the Slugfest Operations Manual #16-60001-101.

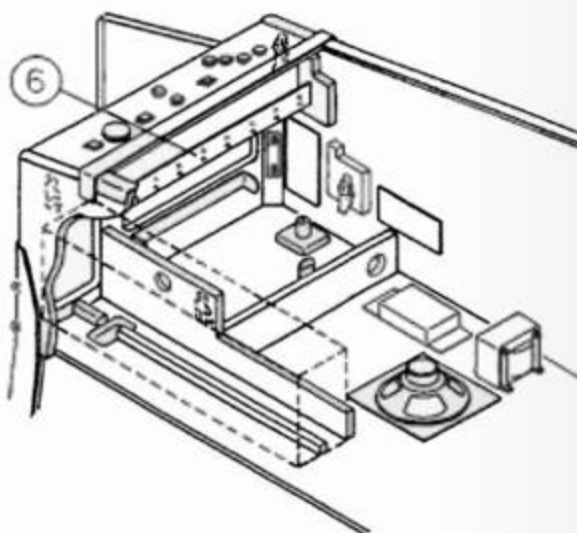


PC Lamp Boards and General Illumination Locations  
SLUGFEST (60001) and SLUGFEST 2 (60021)

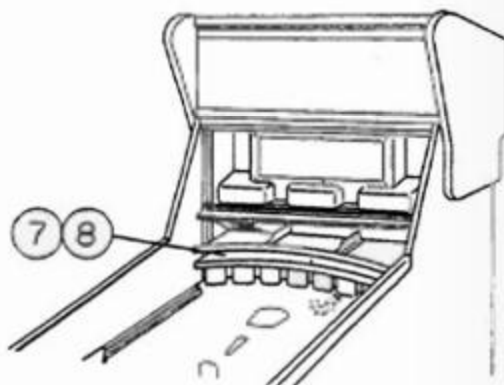
Playfield in Raised Position



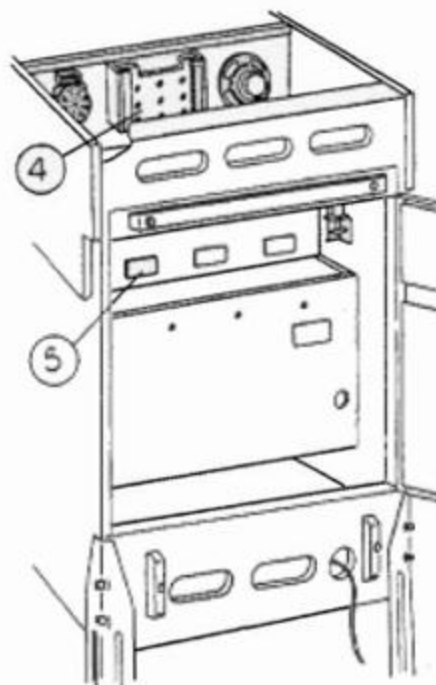
Cabinet Interior



Cabinet (Front View)



Cabinet (Rear View)

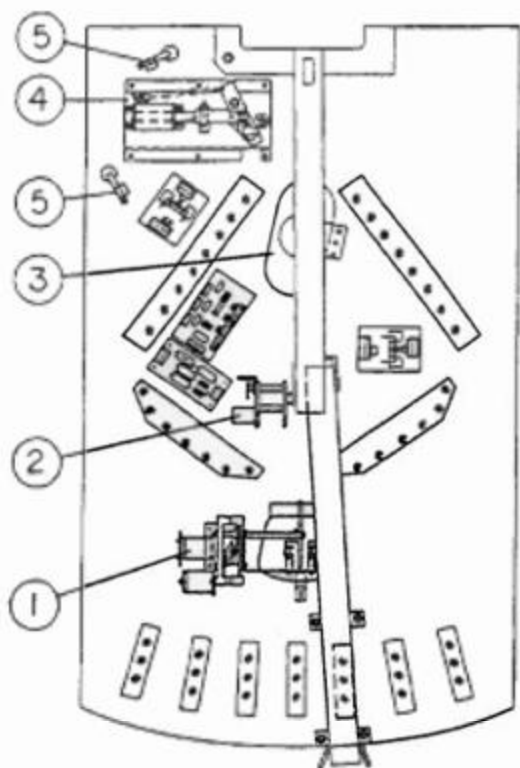


Item	Part No.	Description
1	A-14380	3-Lamp PCB (7 used)
2	A-14379	7-Lamp PCB (2 used)
3	A-14378	8-Lamp PCB (2 used)
4	A-14625	12-Lamp Display Panel
5	A-14537	1-Lamp/1-Flash PCB (3 used)
6	A-14611	Inside Light Panel Assembly
a)	A-14589	16-Lamp G.I. Ass'y
7	A-12224-1	1-Lamp PCB w/Diode (6 used)
8	A-12887	Socket/Bulb Ass'y (6 used)

Note: Schematics and Matrix tables are available in Slugfest Operations Manual #16-60001-101.

Electronic and Electro-Magnetic Devices  
SLUGFEST (60001) and SLUGFEST 2 (60021)

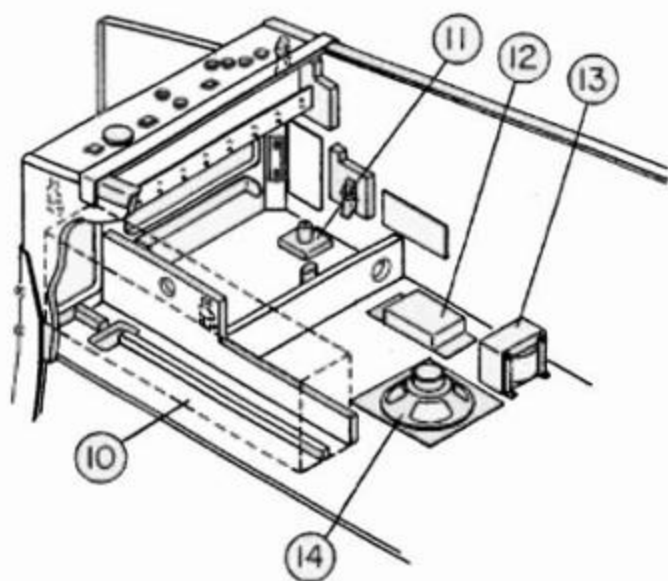
Playfield in Raised Position



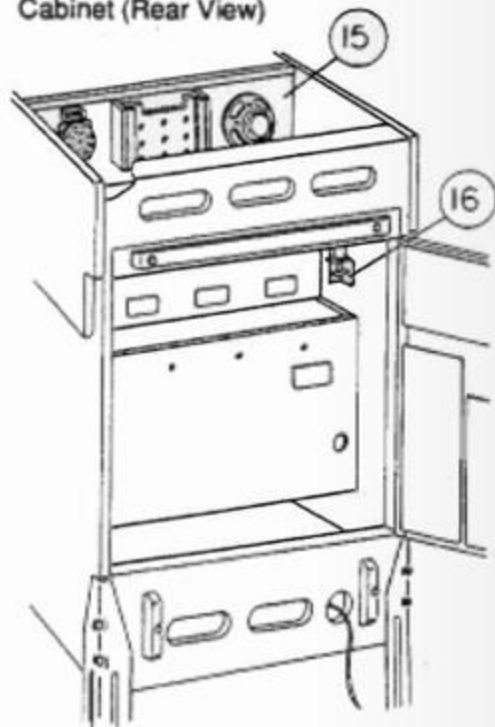
Cabinet (Front View)



Cabinet Interior



Cabinet (Rear View)



Electronic and Electro-Magnetic Devices - cont'd  
SLUGFEST (60001) and SLUGFEST 2 (60021)

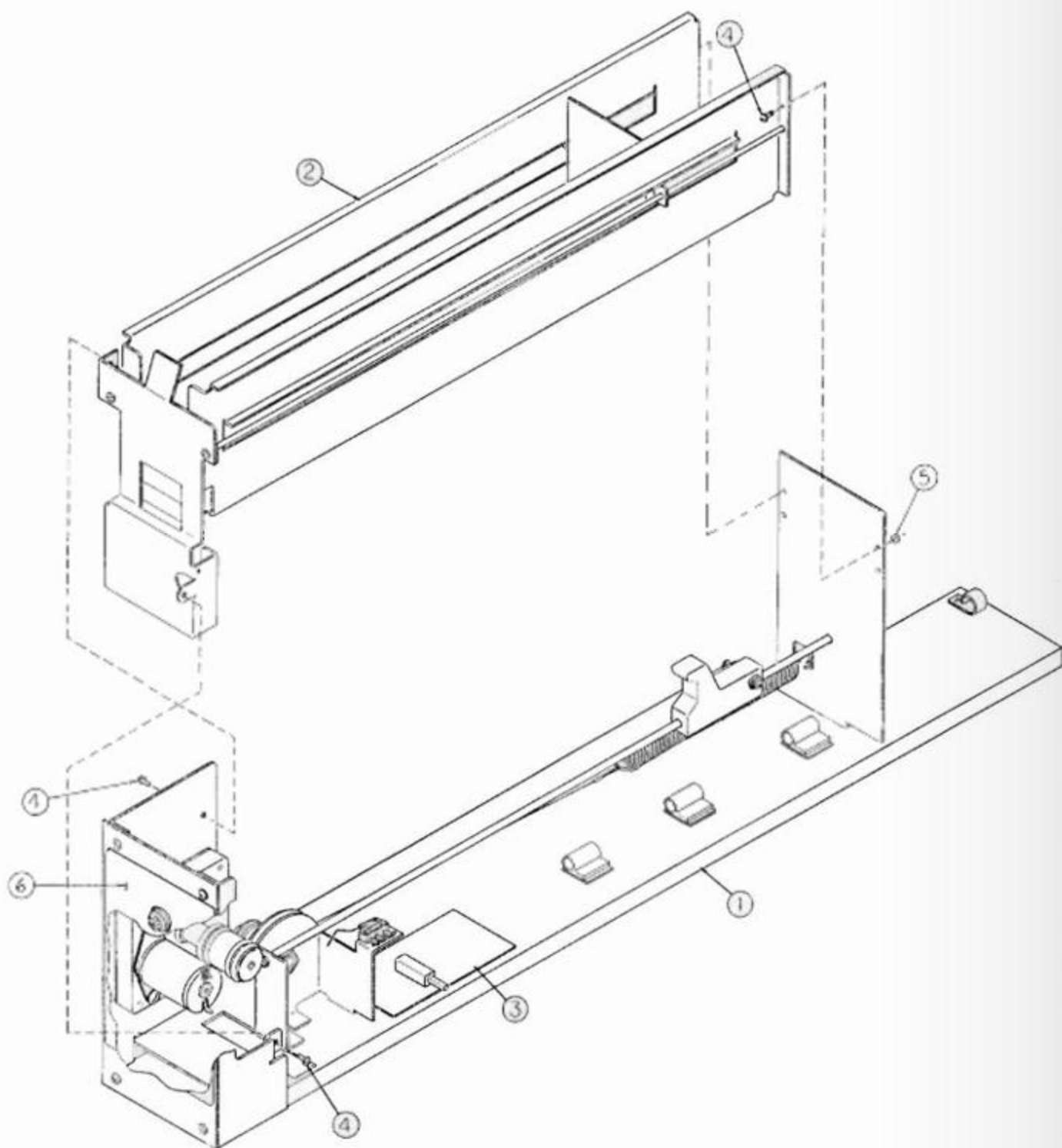
Item	Part Number	Description	Page Number
1	A-14290	Ramp Motor Assembly	11-18
2	A-14356	Pitcher Unit Assembly	11-19
3	A-14696	Coil Magnet Assembly	11-20
4	A-14464	Bat Unit Assembly	11-20
5	B-8306	Tilt Switch Ass'y (2 used)	2-10, 6-1
6	5901-12784-00	Dot Matrix Display/Driver	-
7	A-14150	Target Board Assembly	11-21
8	A-14510	Control Panel Assembly	11-24
9	A-14148-1	Coin Door Assembly	9-6, 9-6a
a)	09-23002-1	US. 2-Slot Coin Door	
10	A-14471 or A-14471-1	Card Dispenser Ass'y Card Dispenser Ass'y	11-22, 11-23 11-23a, 11-23b
11	5640-10932-00	On/Off Mechanism	-
a)	20-9682-2	Protective Cap	
12	C-11026-1	Line Filter Assembly	-
13	5610-12835-00	Transformer, 115/230V	2-7
14	A-14440	Speaker & Capacitor	-
a)	5555-12015-00	Speaker 8Ω, 6", 20W	2-7
b)	5045-12781-00	Capacitor 68mfd, 150V	-
15	A-14678	Speaker Display Ass'y	11-25
a)	A-14292-1	Coil & Bracket Ass'y	11-25
b)	5555-12015-00	Speaker, 8Ω, 6", 20W	2-18b
c)	5555-12068-00	Piezo Speaker, 4", 50W	2-18b
16	B-10686-1	Knocker Assembly	2-16

Cable Assemblies

Fuses

	Part No.	Description	Part Number	Description
Backbox:	H-14664	Marquee Cable	5730-09071-00	Normal 8A 32V
	H-14755	General Illumination Cable	5730-09252-00	Normal 8A 250V
	H-14663	Speaker Cable	5730-09797-00	Normal 3/4A 250V
Cabinet:	H-11835	Knocker Cable	5731-08633-00	Slo-Blo 3A 125V
	H-14658	Cabinet Cable	5731-09128-00	Slo-Blo 2.5A 250V
	H-14662	Dot Matrix Display Cable	5731-09651-00	Slo-Blo 5A 250V
	H-14665	Target Panel Cable	5731-10356-00	Slo-Blo 3A 250V
	H-14666	Grandstand Cable	5731-12328-00	Slo-Blo 3/8A 250V
	H-14698	Extension Cable		
	H-14672	Card Dispenser Cable		
Playfield:	H-14657	Playfield Cable		
	H-14671	Pitcher Motor Cable		
	H-14670	Bat Cable		
	H-14669	Magnet Cable		

Card Dispenser Assembly  
A-14471





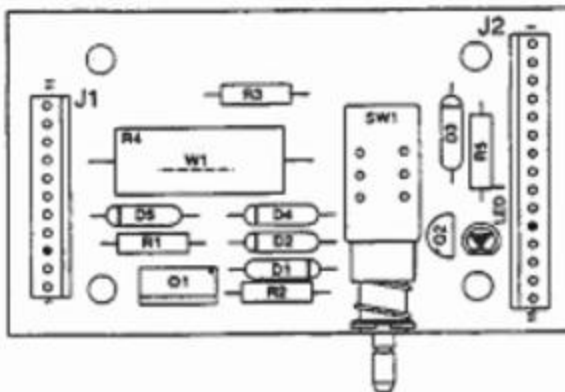
Electronic/Electro-Magnetic Devices - cont'd

Card Dispenser Assembly  
A-14471

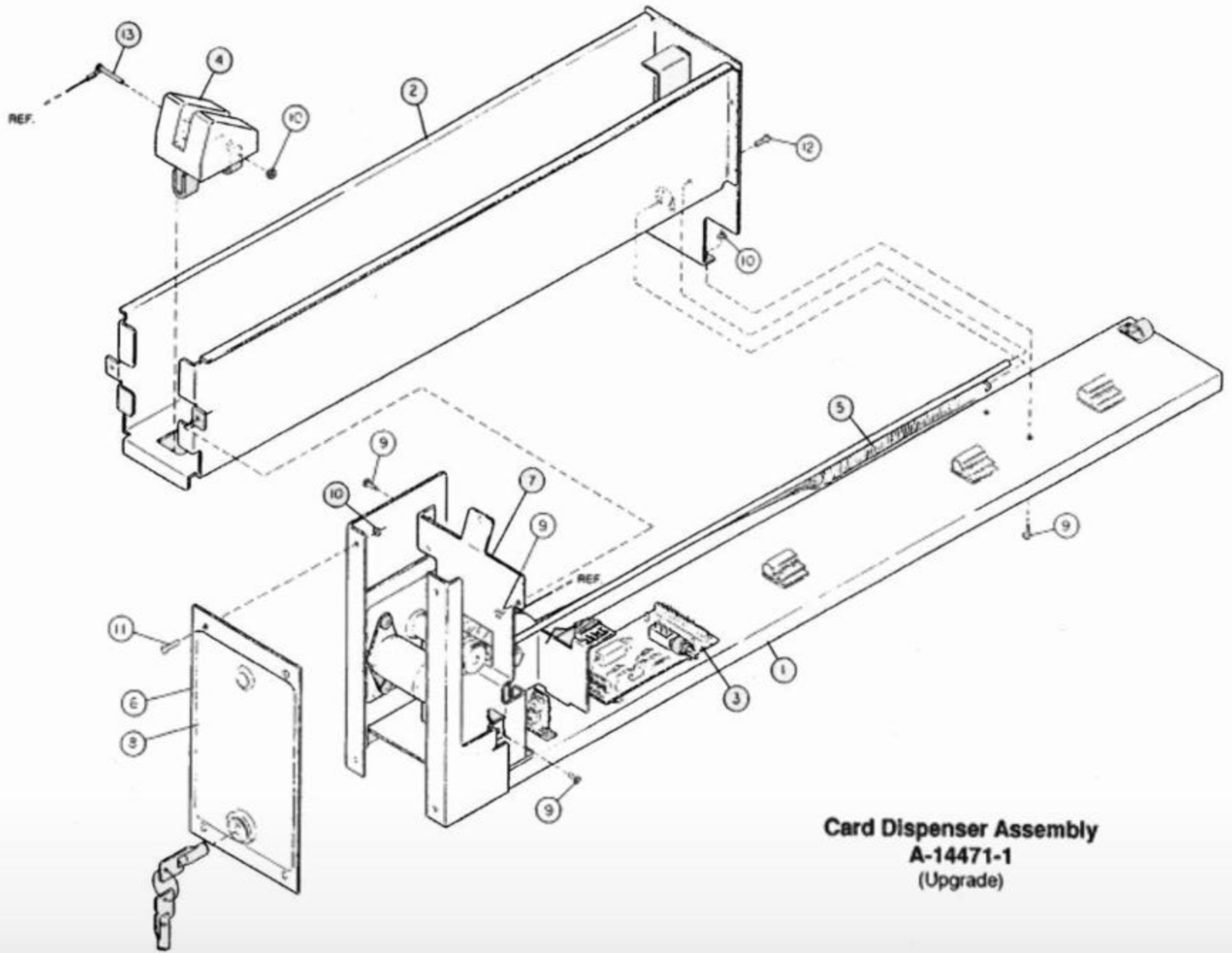
Item	Part Number	Description	Item	Part Number	Description
1	A-14473	Base & Motor Assembly	w)	4406-01119-00	Nut, 6-32 ESN
a)	A-14474	Base Welded Assembly	x)	A-14316	Opto Transistor Assembly
b)	A-14469	Gear Motor Assembly	y)	A-14315	Opto LED Assembly
c)	A-14527	Cable & Pulley Assembly	z)	4106-01004-06	SMS, #6 x 3/8 P-PH (2 used)
d)	03-8541	Piston, Nylon	aa)	03-7722-4	Kwik-Clip, 1/4" (3 used)
e)	01-10079	Rear Support Bracket	bb)	H-14672	Cable Assembly
f)	02-4523	Guide Rod			
g)	10-427	Guide Rod	2	A-14472	Magazine Assembly
h)	20-9674	Shoulder Screw, .375 Socket Hd.	a)	A-14704	Support Bracket
i)	4425-01132-00	Nut, 5/16 18 ESN-NE	b)	01-10077	Magazine
j)	5647-12693-01	Mini-Micro Switch	c)	02-4522	Guide Rod (2 used)
k)	4008-01003-08	MS, 8-32 x 1/2 P-PH (2 used)	d)	01-10233	Pressure Plate
l)	4006-01005-16	SS, 6-32 x 1 P-PH	e)	4406-01128-00	Nut, 6-32 KEPS (2 used)
m)	4406-01117-00	Nut, 6-32 Hex (2 used)	f)	16-9227	Label
n)	4010-01006-08	MS, 10-32 x 5/8 P-PH (4 used)			
o)	4002-01105-08	MS, 2-56 x 1/2 P-PH (2 used)	3	A-14633	Card Dispenser PC Board
p)	01-8240	Nut Plate, #2-56	4	4006-01003-06	MS, 6-32 x 3/8 P-PH (4 used)
q)	4006-01017-06	MS, 6-32 x 3/8 P-RH (2 used)	5	4406-01128-00	Nut, 6-32 KEPS (4 used)
r)	4406-01128-00	Nut, 6-32 KEPS (2 used)	6	31-1631	Card Dispenser Decal
s)	4006-01097-08S	CS, 6-32 x 1/2 (4 used)			
t)	A-14560	Front Panel Assembly			
u)	20-9678-2	Circuit Board Standoff (4 used)			
v)	4106-01036-05	TFS, #6 P-PH (4 used)			

Note: To order replacement or additional baseball cards, contact your authorized WILLIAMS Distributor.

Card Dispenser PC Board  
A-14633



Part Number	Ckt Designator	Description
5768-12845-00		Bare PC Board
5791-12462-15	J2	Connector, 15-pin Header Str. Sq.
5791-12462-11	J1	Connector, 11-pin Header Str. Sq.
5162-12635-00	O1	Transistor, TIP 102 NPN
5070-09054-00	D1 - D5	Diode, 1N4004, 1.0A.
5160-10269-00	Q2	Transistor, 2N3904 NPN
5012-10860-00	R4	Resistor, 27Ω, 5w, 10%
5010-09034-00	R1	Resistor, 10KΩ, 1/4w, 5%
5641-08312-00	SW1	Switch R DPDT, 100v, 5A.
5010-12733-00	R3	Resistor, 220Ω, 1w, 5%
5010-08958-00	R2	Resistor, 2.2KΩ, 1/4w, 5%
5010-09061-00	R5	Resistor, 680Ω, 1/2w, 5%
5671-09019-00	LED 1	Disp. LED Red



**Card Dispenser Assembly**  
**A-14471-1**  
(Upgrade)

## Electronic/Electro-Magnetic Devices - cont'd

**Card Dispenser Assembly**  
**A-14471-1**  
 (Upgrade)

Item	Part Number	Description	Item	Part Number	Description
1	A-14473-1	Base & Motor Assembly	2	A-14472-1	Magazine Assembly
a)	A-14474	Base Welded Assembly	a)	03-8615	Nylon Shoulder Washer (2)
b)	A-14469	Gear Motor Assembly	b)	01-10382	Block Lock Bracket
c)	A-14527	Cable & Pulley Assembly	c)	01-10405	Rear Tray Support Bracket
d)	02-4523	Guide Rod	d)	01-10404	Card Holder Tray
e)	20-9674	SS .375 Socket Head	e)	4006-01003-06	MS 6-32 x 3/8 P-PHS (6)
f)	4425-01132-00	Nut 5/16-18 ESN	f)	4008-01015-08	TT 8-32 x 3/8 P-PH (2)
g)	5847-12693-01	Mini-Micro Switch	g)	A-14704	Magazine Support Bracket
h)	4008-01003-08	MS 8-32 x 1/2 P-PHS	h)	03-7655-8	Cable Clamp 1/2"
i)	4010-01006-08	MS 10-32 x 1/2 P-PHS (4)	3	A-14633	Dispenser PCB Assembly
j)	4002-01105-08	MS 2-56 x 1/2 P-PHS (2)	4	03-8800	Card Advancement Block
k)	01-8240	Nut Plate #2-56	5	10-427	Extension Spring
l)	01-8600	Insulator	6	A-14560	Front Panel Assembly
m)	20-9678-2	Circuit Board Standoff (4)	a)	20-9688	Lock & Cam
n)	4106-01036-05	PT 6 x 5/16 P-PH-GP (8)	b)	01-10076	Panel Front
o)	A-14231	LED Assembly	c)	20-9679	Light Indicator
p)	A-14232	Photo Trans Assembly	7	A-14704	Support Bracket Assembly
q)	03-7722-4	Kwik-Klip 1/4" (3)	8	31-1631	Decal
r)	H-14672	Card Dispenser Cable	9	4006-01003-06	MS 6-32 x 3/8 P-PH-S (5)
s)	01-3670-1	Switch Plate	10	4406-01128-00	Nut 6-32 KEPS (8)
t)	03-8506-1	Opto Mounting Base, White	11	4006-01097-08S	CS 6-32 x 1/2 T-R Button Hd (4)
u)	03-8506	Opto Mounting Base, Black	12	4008-01003-08	MS 8-32 x 1/2 P-PH-S
v)	4104-01001-06	SMS #4 x 3/8 P-PH-A (2)	13	4006-01005-16	MS 6-32 x 1 P-PH




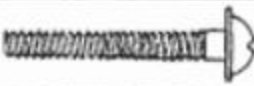
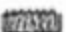
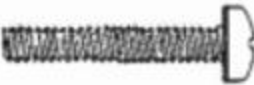






Miscellaneous Hardware and Steel Assemblies  
SLUGFEST (60001) & SLUGFEST 2 (60021)

Part Number	Description	Quantity and Where Used				See Page No.
		Playfld	Cabinet	Backbx	C/Panel	
A-14465	Sleeve Weldment		1			11-30
A-14598	Barrier Molding Ass'y	1				11-29
C-10843	Leg Assembly		4			2-2ab
01-3483-1	Cashbox Latch Brkt		1			2-23
01-4028	Pfld Support Bar		1			2-21
01-5148	Clip Bracket		1			2-21
01-6389-1	Cashbox Nest		1			2-23
01-6733-1	Speaker Grill, Black		1			2-22
01-6994	Latch Bracket	2			2	11-28
01-7264	Lock Retainer		1	1		2-27
01-7993	Glass Lock Cam		1	1		11-28
01-8726-L-1	Lft Pfld Holder Brkt	1				2-24
01-8726-R-1	Rgt Pfld Holder Brkt	1				2-24
01-9977	Latch Insert Hinge		1			11-28
01-10177	Top Glass Molding		1			11-29
01-10192	Dispsr Support Brkt		2			11-28
01-10214-1	Vent Grill		1	1		11-28
01-10220	Deck/Tgt Stop Brkt		2			11-28
01-10295	Side Molding		2			11-29
01-10296	Escutcheon		1			11-30
20-6542-TB	Cam Lock w/Keys		1	1		10-28
20-9347	Toggle Latch		4			10-26
20-9671	Door Hinge		1			11-28
20-9680	Long Arm Key			*		11-39












\*Tool for removing Marquee.



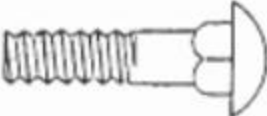
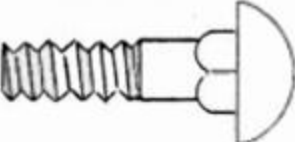
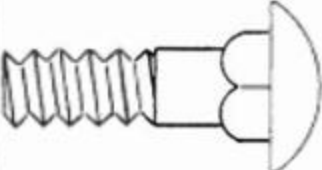





Posts and Screws

Used In the Backbox Used In the Cabinet Used On the Playfield	• • †	Part Number	Description	Slugfest/Slugfest2 60001 / 60021		Hotshot 60017
				Game and Part Quantity		
	†	02-3905	Bumper Post #8 WS	2		
	•	03-8319-12	Star Post #8 Tr. Org.			2
	•	4006-01005-08	MS 6-32 x 1/2 P-PH			11
	†	4006-01027-04B	MS 6-21 x 1/4 RWH (Blk)	3		
	•	4006-01076-04	SS 6-32 x 1/4 SH-CP			2
	• † •	4008-01003-04 4008-01003-08 4008-01003-16	MS 8-32 x 1/4 P-PH-S MS 8-32 x 1/2 MS 8-32 x 1	1 4		8
	† •	4008-01017-08 4008-01017-10	MS 8-32 x 1/2 P-RH-S MS 8-32 x 5/8 P-RH-S	10 4		23
	•	4008-01041-11	MS 8-32 x 11/16 P-FLH			8
	•	4010-01006-05	MS 10-32 x 5/16 P-PH-S			3
	†	4010-01035-40	MS 10-24 x 2-1/2 P-TR	2		
	•	4020-01070-12	MS 1/4-20 x 1 HH			4
	†	4104-01020-08	SMS #4 x 1/2 P-RH-AB	2		

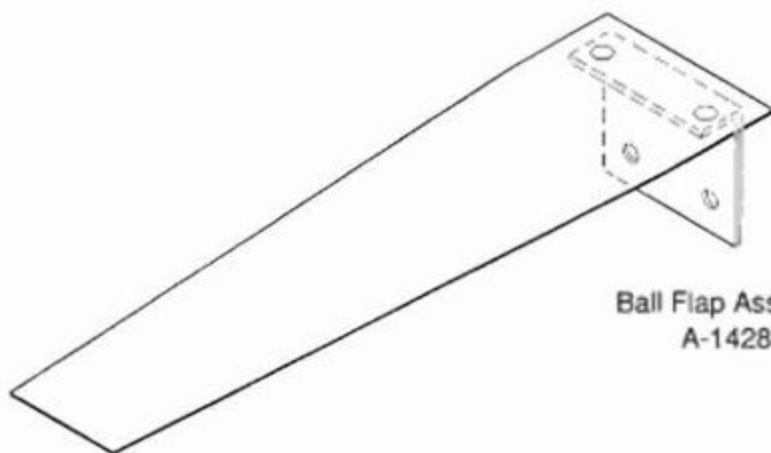
Posts and Screws - cont'd

Used In the Backbox Used In the Cabinet Used On the Playfield	• • †	Part Number	Description	Slugfest/Slugfest2	Hotshot
				60001 / 60021	60017
				Game and Part Quantity	
	†	4106-01018-04	SMS #6 x 1/4 P-PH-ST	16	
	•	4106-01019-08	SMS #6 x 1/2 P-RH-A		4
	• † • †	4106-01033-08 4106-01033-08 4106-01033-08B 4106-01033-08B	SMS #6 x 1/2 P-TH-A SMS #6 x 1/2 SMS #6 x 1/2 (Black) SMS #6 x 1/2 (Black)	2 4 5 16	6
	†	4106-01042-20	SMS #6 x 1-1/4 P-FLH-A	16	
	• • •	4106-01114-08 4106-01114-08 4106-01114-08B	TCS #6 x 1/2 PL-HWH TCS #6 x 1/2 TCS #6 x 1/2 (Black)	4	14 78
	• • † • † † • •	4106-01115-06Y 4106-01115-06Y 4106-01115-06Y 4106-01115-08 4106-01115-08 4106-01115-14 4106-01115-16 4106-01115-16	SMS #6 x 3/8 (Yel.Coat) SMS #6 x 3/8 SMS #6 x 3/8 SMS #6 x 1/2 PL-HWH-A SMS #6 x 1/2 SMS #6 x 7/8 (Yel.Coat) SMS #6 x 1 SMS #6 x 1	4 26 29 6 11 35 3 8	32      16 23
	• • • •	4108-01001-10 4108-01001-16 4108-01001-16 4108-01001-24	SMS #8 x 5/8 P-PH-A SMS #8 x 1 SMS #8 x 1 SMS #8 x 1-1/2	1	2 1  2
	•	4108-01019-10	SMS #8 x 5/8 P-RH-A		2
	• •	4108-01042-08 4108-01042-10	SMS #8 x 1/2 P-FLH-A SMS #8 x 5/8		2 24
	•	4108-01092-10B	TXT #8 x 5/8 PH (Black)	2	8
	†	4108-01115-08	SMS #8 x 1/2 HWH	15	

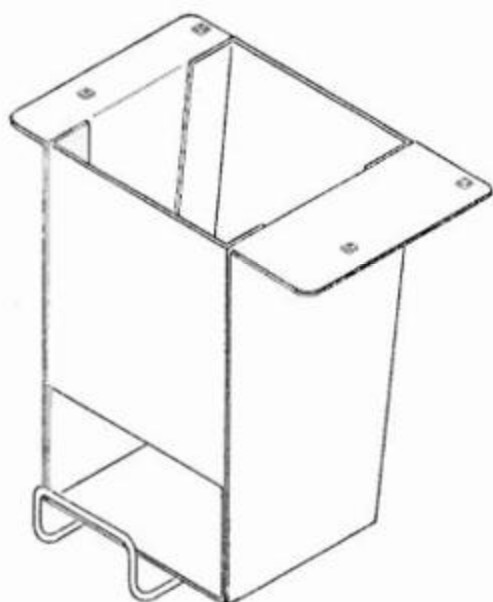
Posts and Screws - cont'd

Used In the Backbox Used In the Cabinet Used On the Playfield	• • †	Part Number	Description	Slugfest/Slugfest2	Hotshot
				60001 / 60021	60017
				Game and Part Quantity	
	•	4308-01123-12	CB 8-32 x 3/4	4	
	•	4308-01123-18	CB 8-32 x 1-1/8	2	
	•	4310-01123-20B	CB 10-24 x 1-1/4 (Black)	6	
	•	4320-01123-18	CB 1/4-20 x 1-1/8	2	
	•	4320-01123-20B	CB 1/4-20 x 1-1/4 (Black)	4	
	•	4320-01123-24B	CB 1/4-20 x 1-1/2 (Black)		4
	•	4322-01123-28B	CB 3/8-16 x 1-3/4 (Black)	2	
	•	4322-01125-40	CB 3/8-16 x 2-1/2 AH		9
	•	4506-01103-24	SSS 6-32 x 1-1/2	1	
	•	4506-01104-20	SSS 6-32 x 1/4	4	
	†	4608-01081-09	H-F #8 x 9/16 PL-HWH	8	
	•	4608-01081-09	H-F #8 x 9/16	94	
	•	4608-01081-11	H-F #8 x 11/16	16	

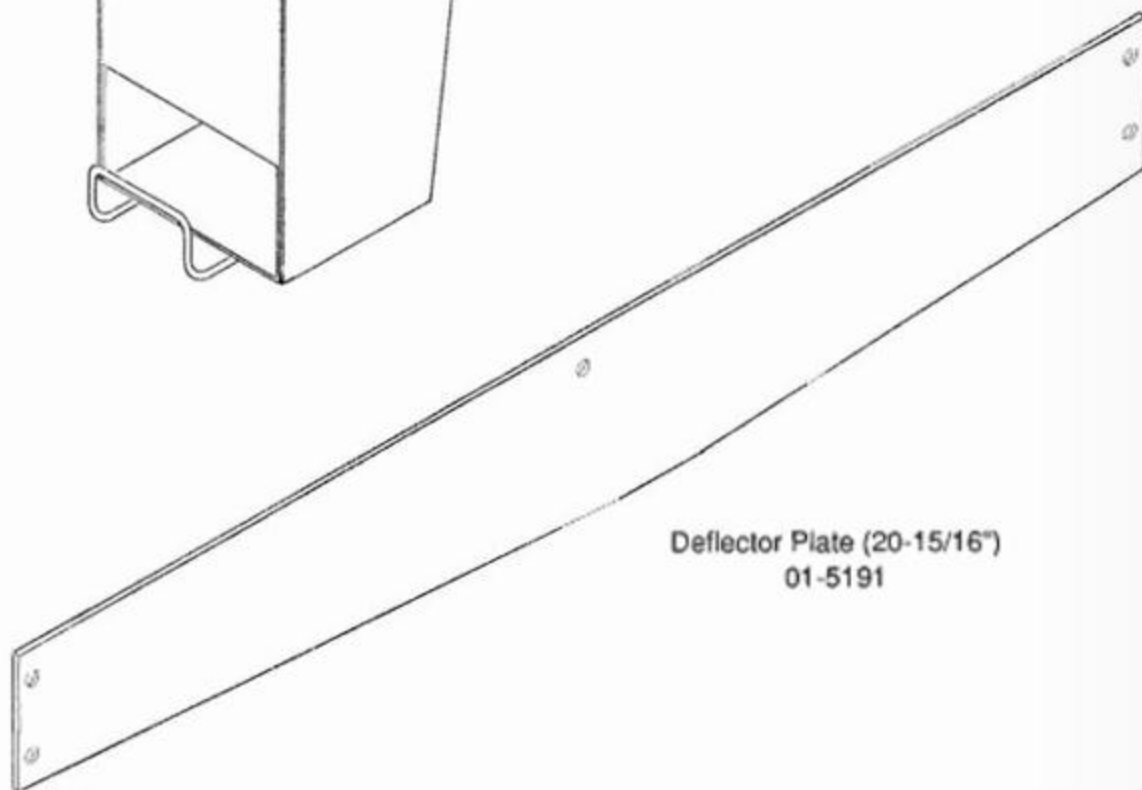
Steel Parts and Assemblies



Ball Flap Assembly  
A-14289



Card Chute Assembly  
A-14796



Deflector Plate (20-15/16")  
01-5191