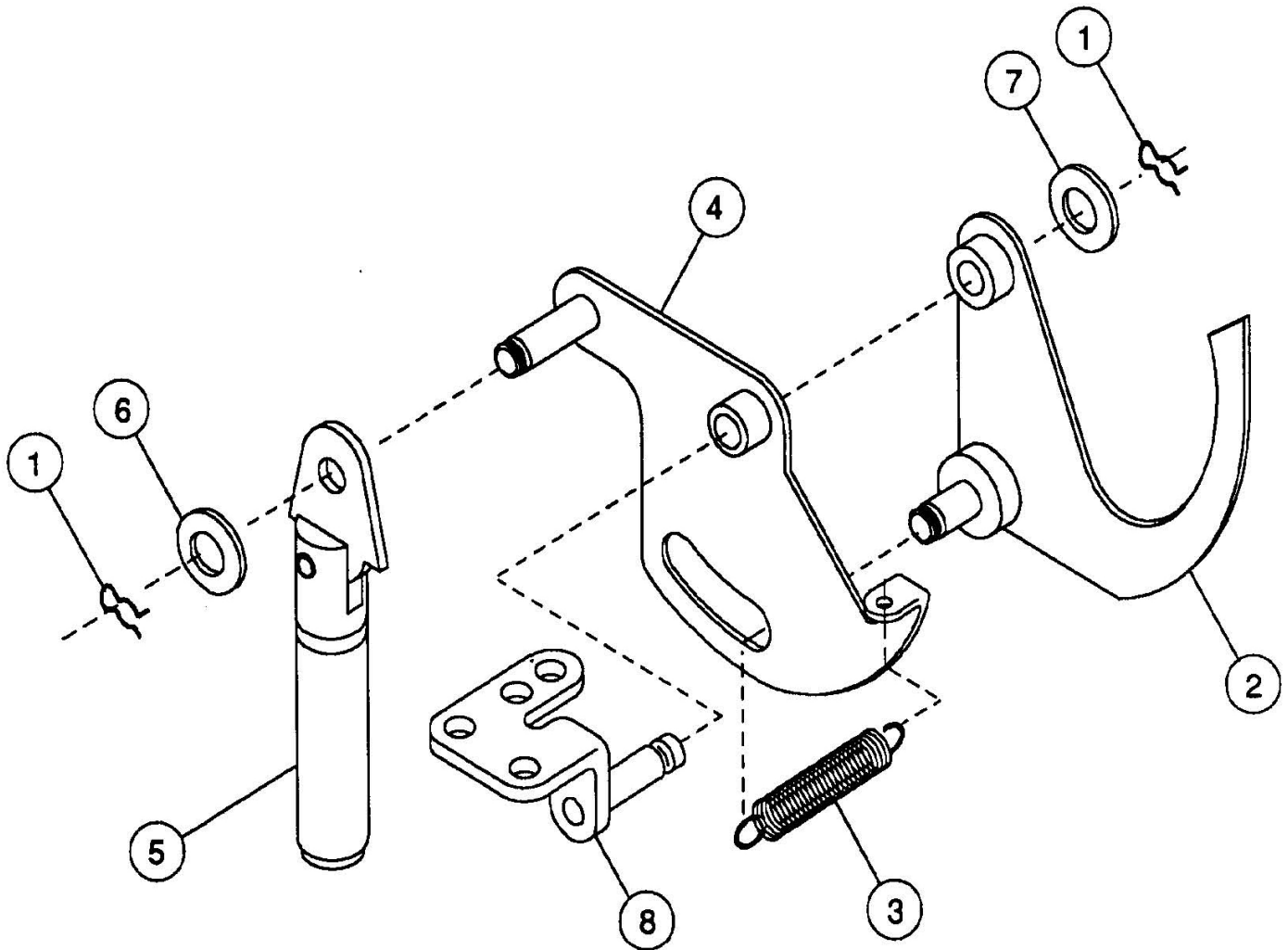




B-7472-8  
 BALL EJECT ASSEMBLIES  
 (BALL SHOOTER LANE FEEDER)



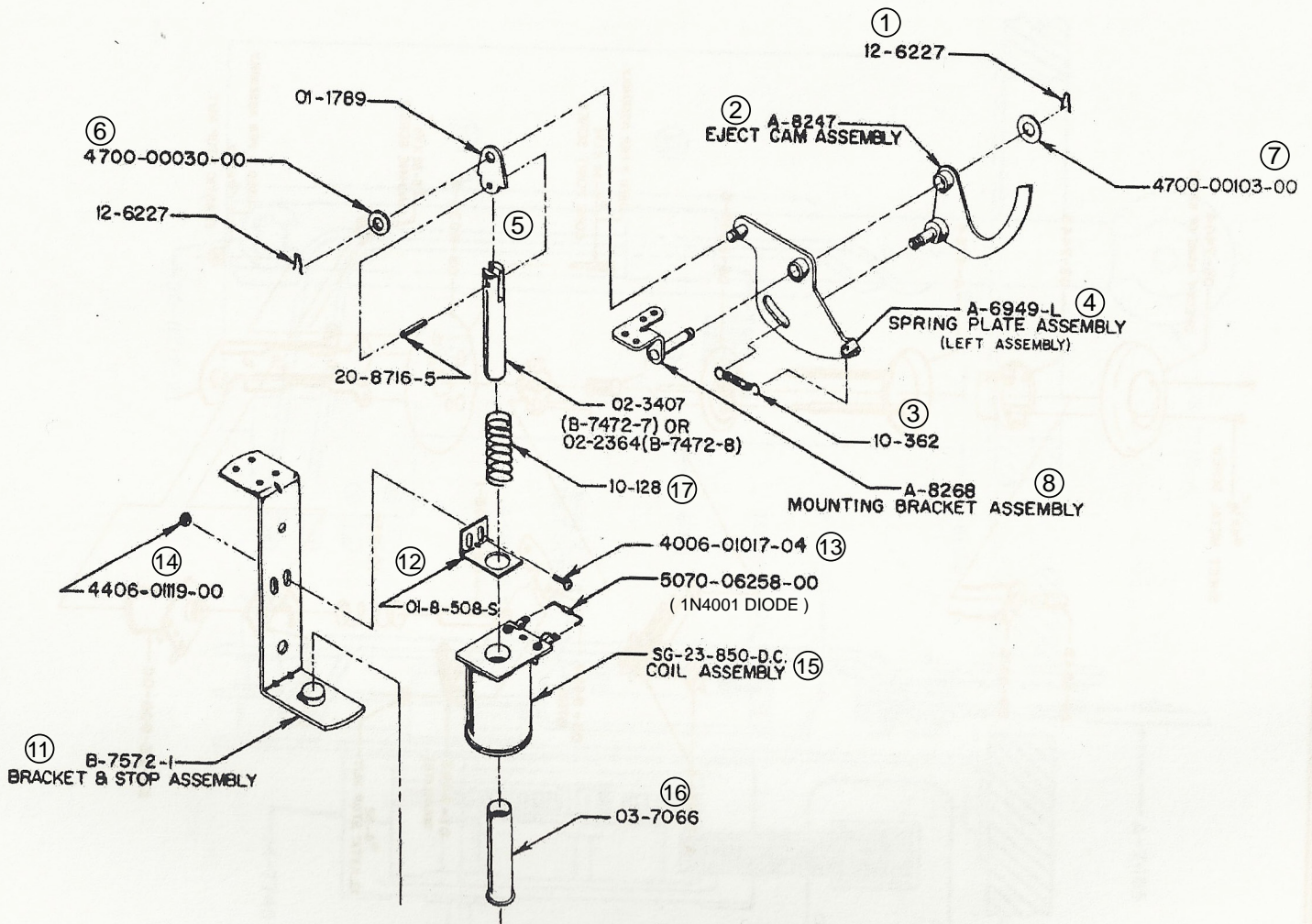
**B-7472-8 BALL SHOOTER LANE FEEDER**

Associated Parts (Not Shown)

ITEM	PART NO.	DESCRIPTION	ITEM	PART NO.	DESCRIPTION
1	12-6227	Hair Pin Clip	10	B-9362-L-2	Coil & Bracket Assembly
2	A-8247	Eject Cam Assembly		B-7672-1	Bracket & Stop Assembly
3	10-362	Ejector Spring (Plain)		01-8-508-S	Coil Retaining Bracket
4	A-6949-L	Spring Plate Assembly		4006-01017-06	Machine Screw, 6-32 X 3/8"
5	A-8050-1	Coil PLunger Assembly, 2 1/8"		4406-01119-00	Nut, 6-32 ESN
6	4500-00030-00	Flatwasher, 17/64 x 1/2 x 15ga.		SG-23-850-DC	Coil Assembly
7	4500-00103-00	Flatwasher, 17/64 x 1/2 x 28ga.		03-7066	Coil Tubing (Nylon Coil Sleeve)
8	A-8268	Mounting Bracket Assembly	11	10-128	Spring



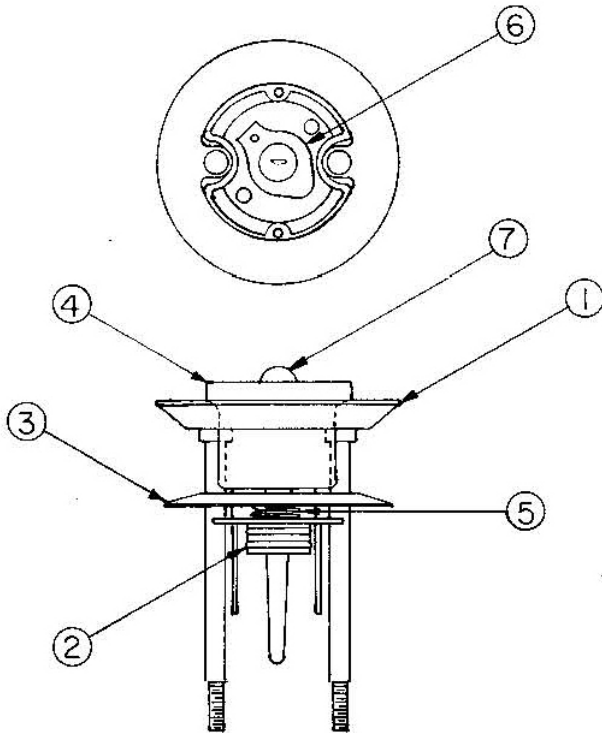
**B-74727-7 & B-7472-8  
BALL EJECT ASSEMBLIES (BALL LIFTERS)  
(RETURN RUNWAYS AND LOCK LOCATIONS)**



ITEM	PART NO.	DESCRIPTION	ITEM	PART NO.	DESCRIPTION
1	12-6227	Hair Pin Clip	11	B-9362-L-2	Coil & Bracket Assembly
2	A-8247	Eject Cam Assembly	11	B-7672-1	Bracket & Stop Assembly
3	10-362	Ejector Spring (Plain)	12	01-8-508-S	Coil Retaining Bracket
4	A-6949-L	Spring Plate Assembly	13	4006-01017-06	Machine Screw, 6-32 X 3/8"
5	02-2364	Coil Plunger Assembly, 2 1/8"	14	4406-01119-00	Nut, 6-32 ESN
6	4500-00030-00	Flatwasher, 17/64 x 1/2 x 15ga.	15	SG-23-850-DC	Coil Assembly
7	4500-00103-00	Flatwasher, 17/64 x 1/2 x 28ga.	16	03-7066	Coil Tubing (Nylon Coil Sleeve)
8	A-8268	Mounting Bracket Assembly	17	10-128	Spring

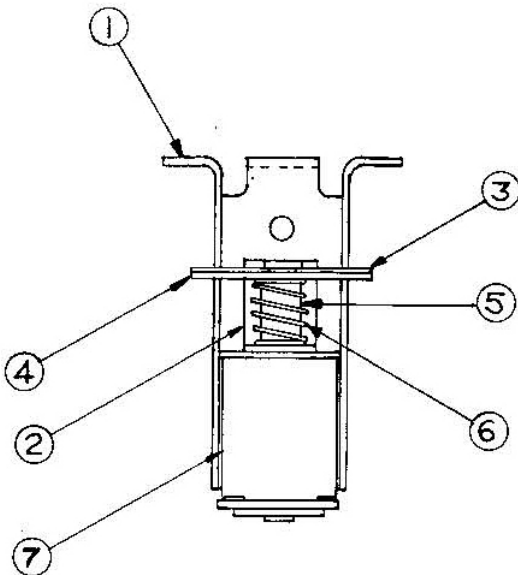


B-7894  
JET BUMPER ASSEMBLY  
(Assembly Above / Below Playfield)



### B-7894 JET BUMPER ASSEMBLY

ITEM	PART NO.	DESCRIPTION
1	A-4754	Bumper Ring Assembly
2	03-6009-A5	Bumper Base
3	03-6035-5	Bumper Wafer (White Skirt)
4	03-7443-5	Bumper Body
5	10-7	Bumper Spring
6	24-6416	Bumper Socket (Bayonet)
7	24-6549	#44 Bulb

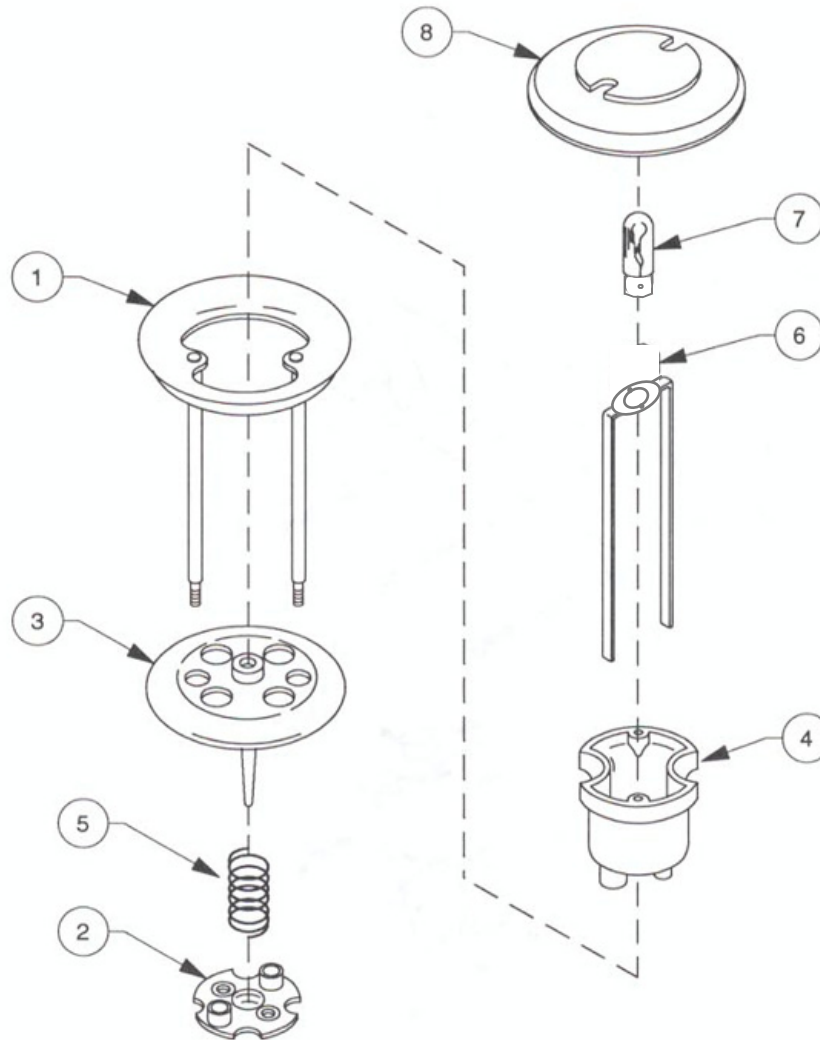


### B-7894 JET BUMPER COIL ASSEMBLY

ITEM	PART NO.	DESCRIPTION
1	B-7417	Bracket and Coil Stop Assembly
2	01-1747	Coil Retaining Bracket
3	01-5492	Armature Link (Steel)
4	01-5493	Armature Link (Bakelite)
5	02-3406-1	Coil Plunger
6	10-326	Armature Spring
7	SG1-23-850-DC	Solenoid Coil



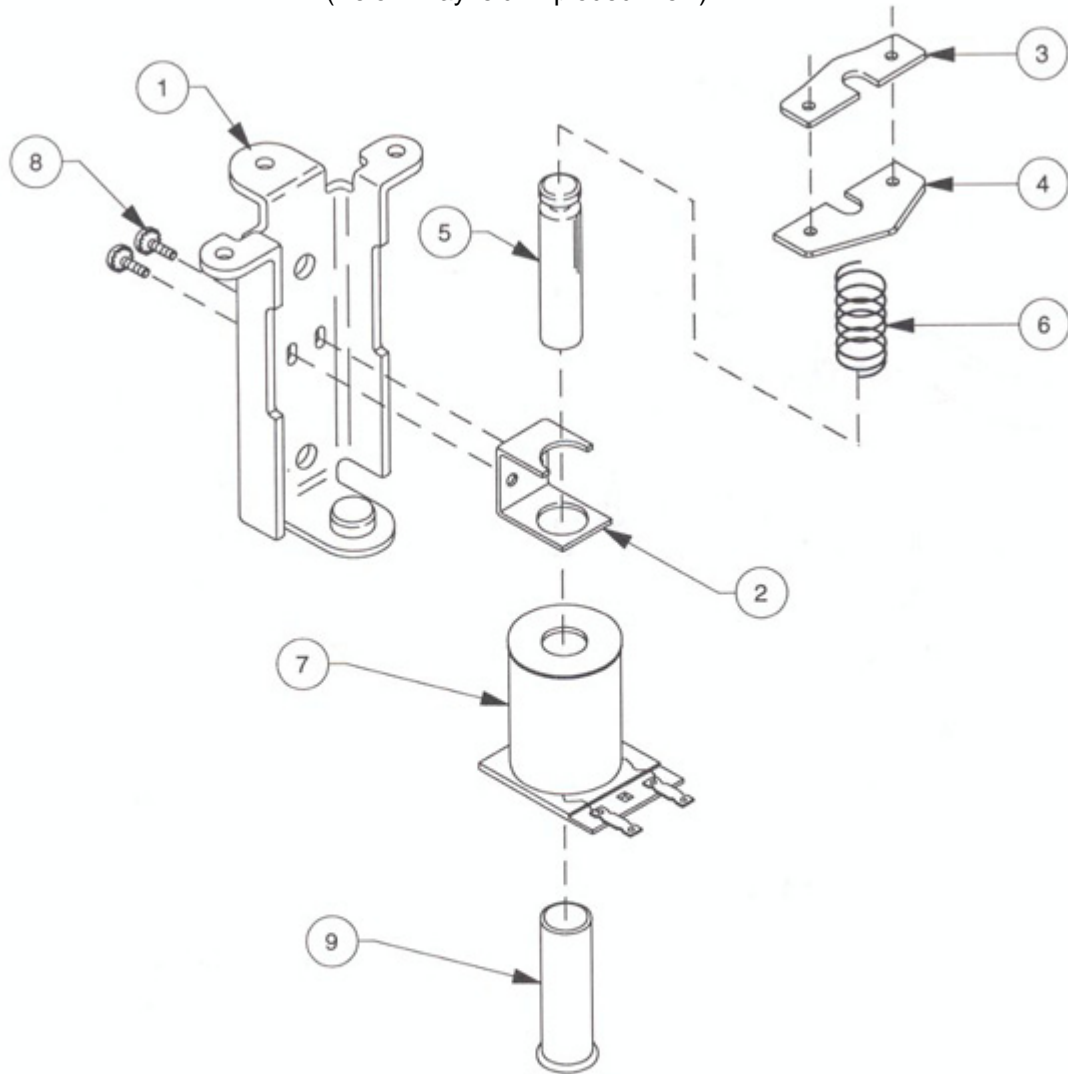
B-7894  
JET BUMPER ASSEMBLY  
(Above Playfield Exploded View)



ITEM	PART NO.	DESCRIPTION
1	A-4754	Bumper Ring Assembly
2	03-6009-A5	Bumper Base
3	03-6035-5	Bumper Wafer (White Skirt)
4	03-7443-5	Bumper Body
5	10-7	Bumper Spring
6	24-6416	Bumper Socket (Bayonet)
7	24-6549	#44 Bulb



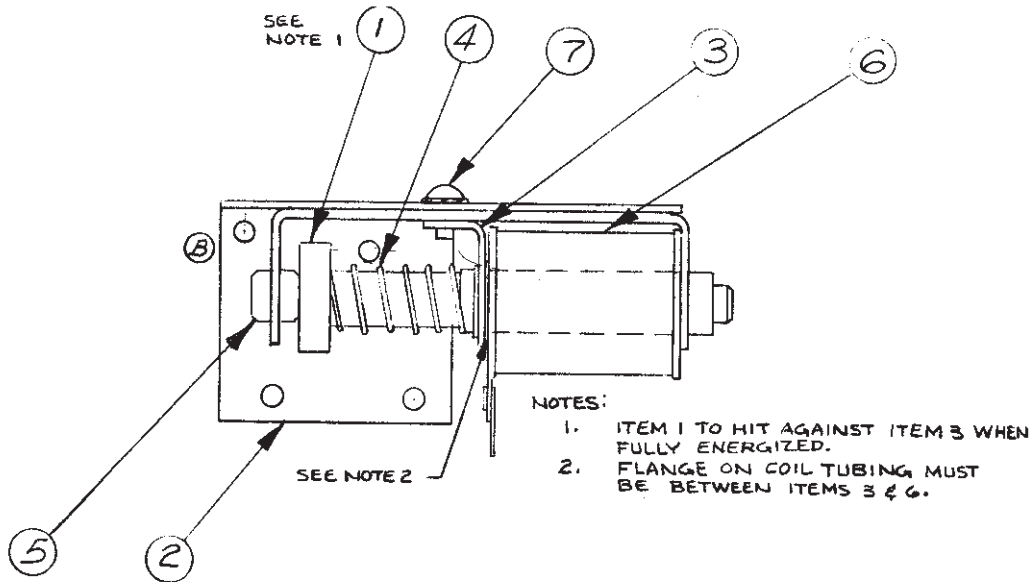
B-7894  
JET BUMPER BRACKET AND COIL ASSEMBLY  
(Below Playfield Exploded View)



Item	Part No.	Description
1.	B-7417	Bracket & Stop Assembly
2.	01-1747	Coil Retaining Bracket
3.	01-5492	Armature Link, Steel
4.	01-5493	Armature Link, Bakelite
5.	02-3406-1	Coil Plunger
6.	10-326	Armature Spring
7.	SG-23-850-DC	Coil Assembly
8.	4006-01017-04	Mach. Screw, 6-32 x 1/4"
9.	03-7066	Coil Tubing



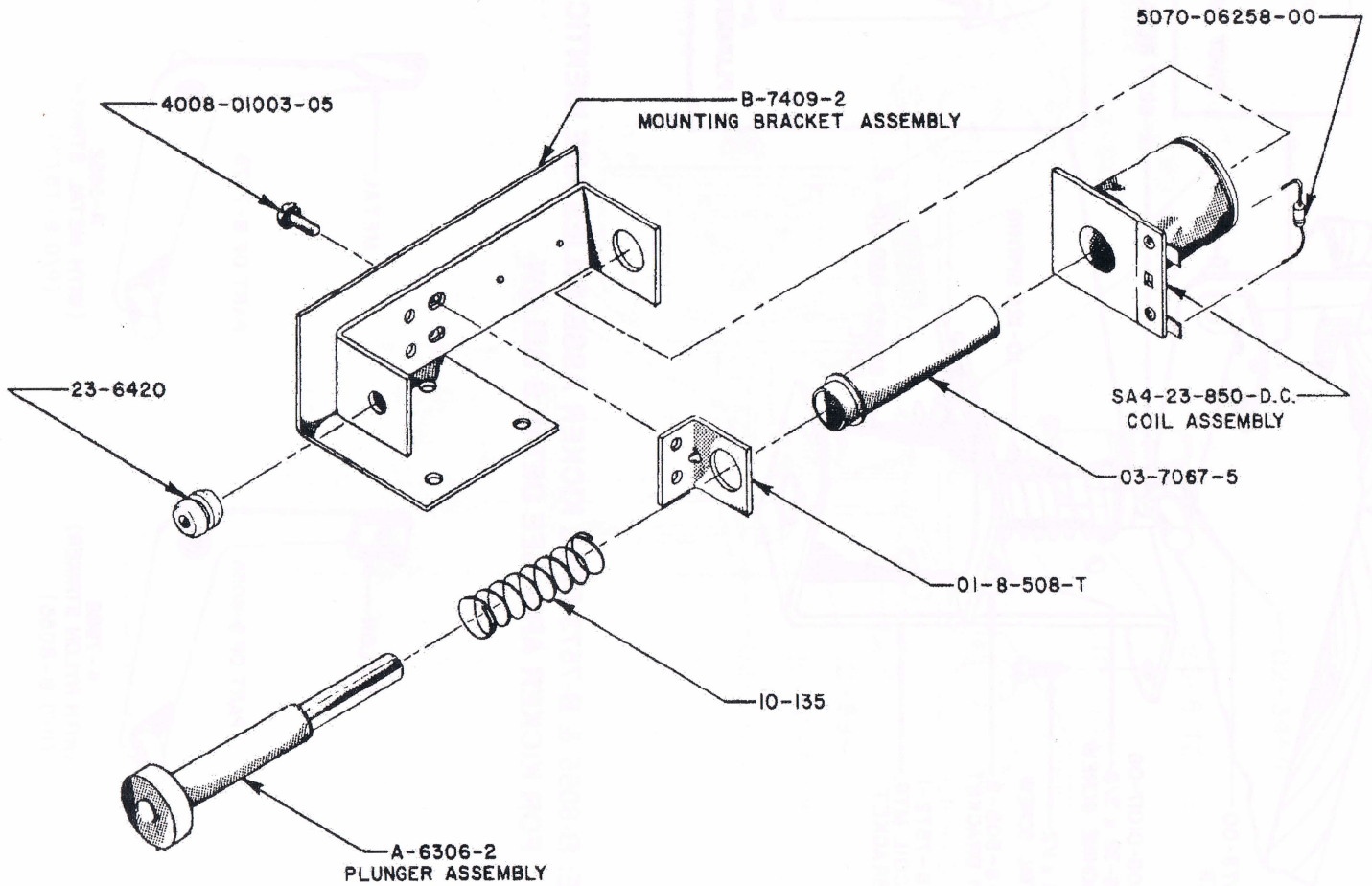
A-6376-3  
OUTLANE KICKBACK ASSEMBLY  
(p/n: A-11041)



ITEM	PART NO.	DESCRIPTION
1	A-6306-2	Bell Armature Assembly
2	B-7409-2	Mounting Bracket Assembly
3	01-8-508-T	Solenoid Bracket
4	10-135	Solenoid Spring
5	23-6420	Rubber Gromit
6	AE-24-900-01	Coil Assembly, Complete. Coil SG4-23-850-DC
7	1008-01017-05	Machine Screw (8-32 x 5/16, P-RH-S)
	Machine Screw	8-32 x 5/16" Phillips - Panhead - SEMS



A-6376-3  
 OUTLANE KICKBACK ASSEMBLY  
 (p/n: A-11041)



ITEM	PART NO.	DESCRIPTION
1	A-6306-2	Bell Armature Assembly
2	B-7409-2	Mounting Bracket Assembly
3	01-8-508-T	Solenoid Bracket
4	10-135	Solenoid Spring
5	23-6420	Rubber Gromit
6	AE-24-900-01	Coil Assembly, Complete. Coil SG4-23-850-DC
7	4008-01003-05	Machine Screw (8-32 x 5/16, P-RH-S)
		8-32 x 5/16" Phillips - Panhead - SEMS