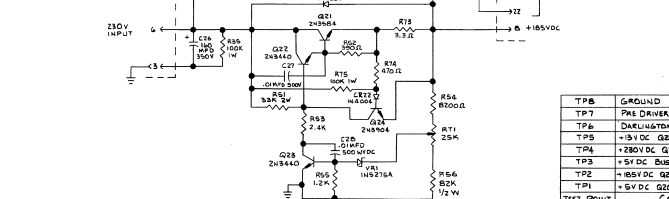
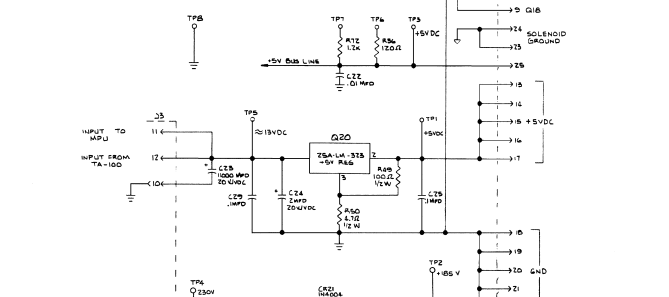
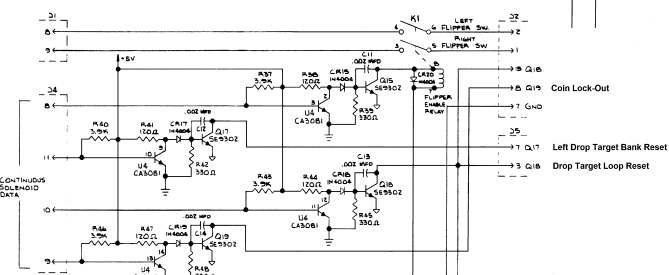
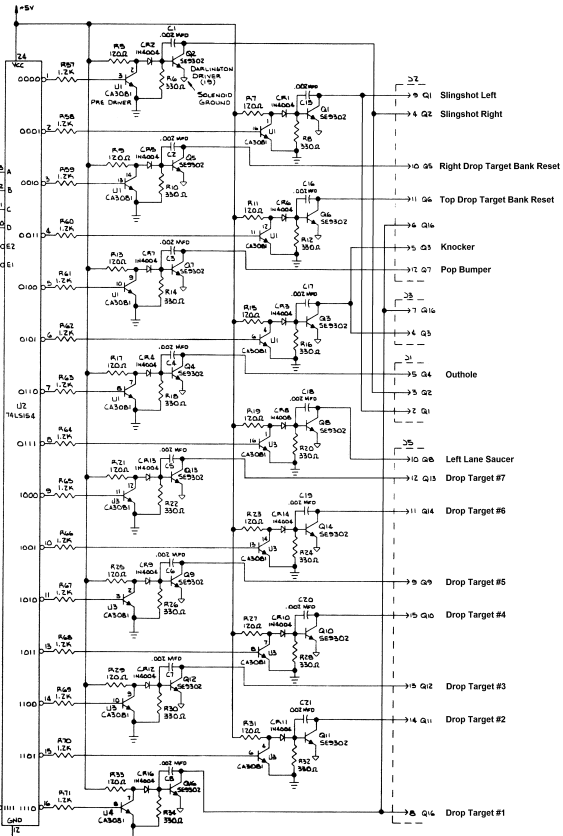


- NOTES:**
1. DIMENSIONS IS AN APPROVED ALTERNATE PART FOR TRANSISTORS Q1-Q15.
 2. PIN 16 OF U1 (U14) IS EMITTER CONNECTED TO GROUND.
 3. THE TAB ON 569302 IS CONNECTED TO THE COLLECTOR OF THE TRANSISTOR.
 4. LAST 'R' NUMBER USED R75
LAST 'C' NUMBER USED C29
LAST 'U' NUMBER USED U14
LAST 'Q' NUMBER USED Q24



REVISED		DESCRIPTION	BY	CHKD	DATE
A	ISSUED, E.C.R. A-000				
B	DATE CHG. E.C. 0110				
C	DESIGNING NEW P.C. SYSTEM				
D	R.I. 0088				

TP8	GROUND
TP7	PKI DRIVER BASE PROBE
TP6	DARLINGTON BASE PROBE
TP5	+5VDC Q20 UNREGULATED INPUT
TP4	+280VDC Q21 UNREGULATED INPUT
TP3	+5VDC BUS LINE
TP2	+15VDC Q21 REGULATOR OUTPUT
TP1	+5VDC Q20 REGULATOR OUTPUT

TEST POINT	CONNECTION
TP8	GROUND
TP7	PKI DRIVER BASE PROBE
TP6	DARLINGTON BASE PROBE
TP5	+5VDC Q20 UNREGULATED INPUT
TP4	+280VDC Q21 UNREGULATED INPUT
TP3	+5VDC BUS LINE
TP2	+15VDC Q21 REGULATOR OUTPUT
TP1	+5VDC Q20 REGULATOR OUTPUT

THIS DRAWING AND ALL IT CONTAINS IS THE PROPERTY OF THE COMPANY AND IS NOT TO BE REPRODUCED OR TRANSMITTED IN ANY FORM OR BY ANY MEANS, ELECTRONIC OR MECHANICAL, INCLUDING PHOTOCOPYING, RECORDING, OR BY ANY INFORMATION STORAGE AND RETRIEVAL SYSTEM. THE COMPANY ASSUMES NO LIABILITY FOR DAMAGES OF ANY KIND, INCLUDING CONSEQUENTIAL DAMAGES, ARISING FROM THE USE OF THIS DRAWING OR THE INFORMATION CONTAINED HEREIN. THE COMPANY MAKES NO WARRANTY, EXPRESS OR IMPLIED, AS TO THE ACCURACY, COMPLETENESS, OR SUITABILITY OF THE INFORMATION CONTAINED HEREIN FOR ANY PARTICULAR PURPOSE. THE COMPANY SHALL NOT BE LIABLE FOR ANY DAMAGES, INCLUDING CONSEQUENTIAL DAMAGES, ARISING FROM THE USE OF THIS DRAWING OR THE INFORMATION CONTAINED HEREIN.

DATE: 01/79
 DRAWN BY: J. SMITH
 CHECKED BY: J. SMITH
 APPROVED BY: J. SMITH
 TITLE: SCHEMATIC, SOLENOID DRIVER P.C. BOARD
 PROJECT: 340-632-S
 SHEET: 1 OF 1