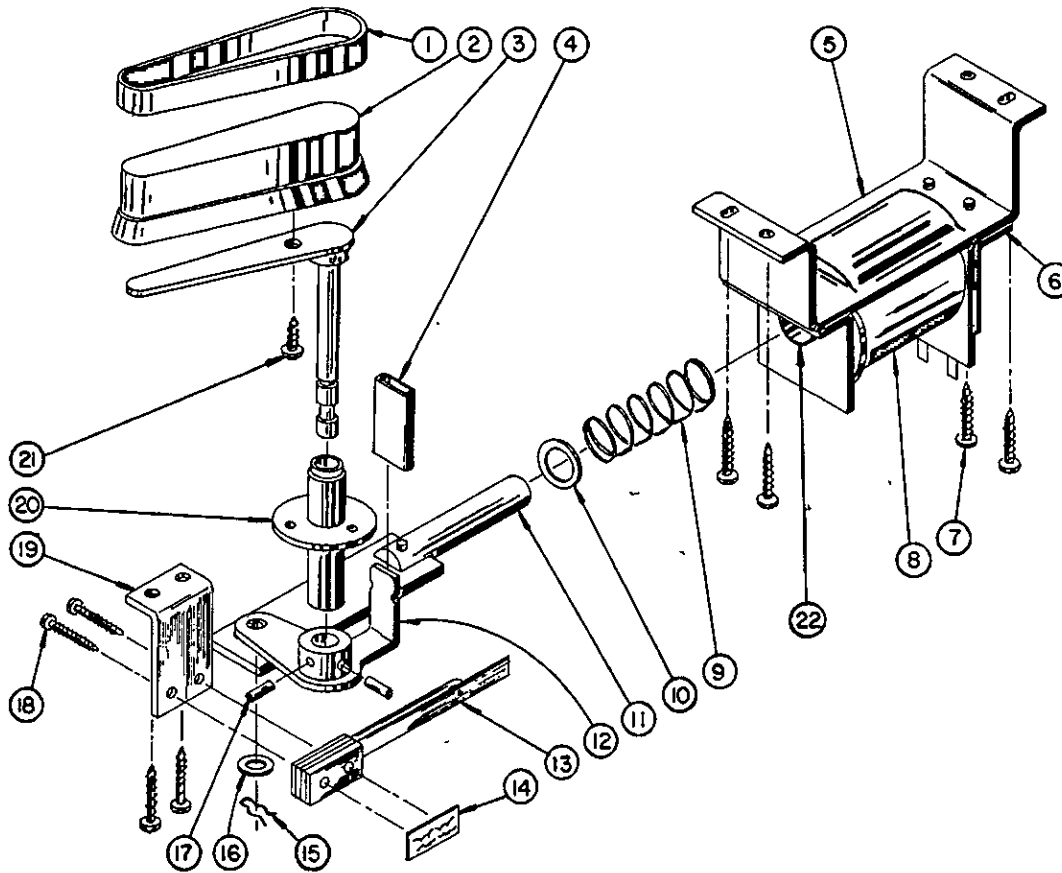


FLIPPER ASSEMBLY



<u>ITEM</u>	<u>PART NO.</u>	<u>DESCRIPTION</u>
1	#6064	FLIPPER RUBBER RING
2	#16550	3" FLIPPER
3	393-2501	FLIPPER PLATE & SHAFT ASS'Y
4	#6527	1" LG. PLASTIC SLEEVING
5	347-2511	FLIPPER COIL MOUNTING BRACKET ASS'Y
6	347-2512	PLUNGER STOP ASS'Y
7		#6 x 1/2" LG. TYPE "A" RD. HD. PHILLIP S.M.S.
8	FJ-29-400	COIL COMPLETE

	21-375	
9	209-801	FLIPPER SPRING
10	#5348	WASHER
11	393-2504-G	FLIPPER PLUNGER & OPERATING LINK ASS'Y
12	231-2536-L	FLIPPER ARM ASS'Y
	231-2536-R	FLIPPER ARM ASS'Y (RIGHT HAND SHOWN)
13	#294-BR	CONTACT ASS'Y (SHOWN)
	#294-BL	CONTACT ASS'Y
14	#B770	TINNERMAN NUT
15	91-905	SPRING CLIP
16	#5357	WASHER
17		#10-32 x 1/2 LG. SOCKET HD. CAP SCREW
18		#4 S.M.S. (LENGTH AS REQUIRED)
19	295-559	CONTACT MOUNTING BRACKET
20	#16508-W	FLIPPER BUSHING
21		#6 x 7/16" LG. TYPE "E" TAPPING SCREW
22	130-1535	BRASS TUBING

CHICAGO DYNAMIC INDUSTRIES

PARTS CATALOG