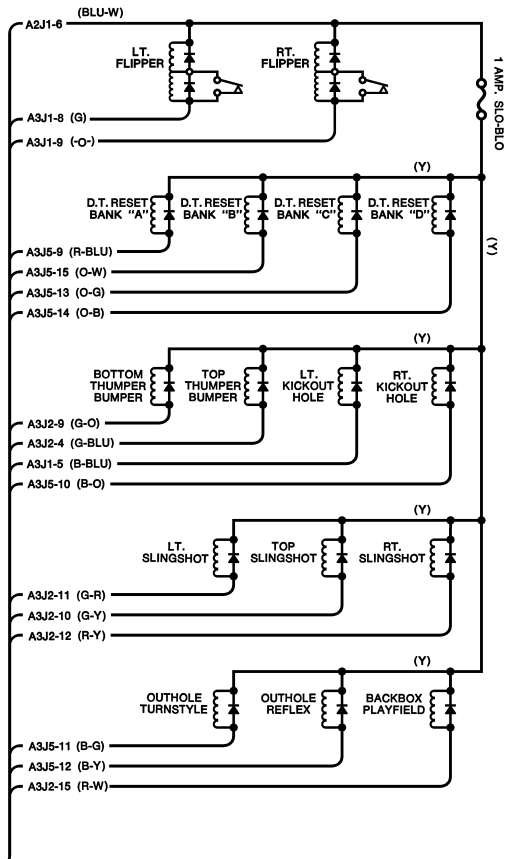


R.O.W.=ROLL OVER WIRE
 S.U.=STAND-UP TARGET
 D.T.=DROP TARGET



A2J5-7 (BLU)
 FEATURE LAMP BUS
 A2J5-3 (BLU)