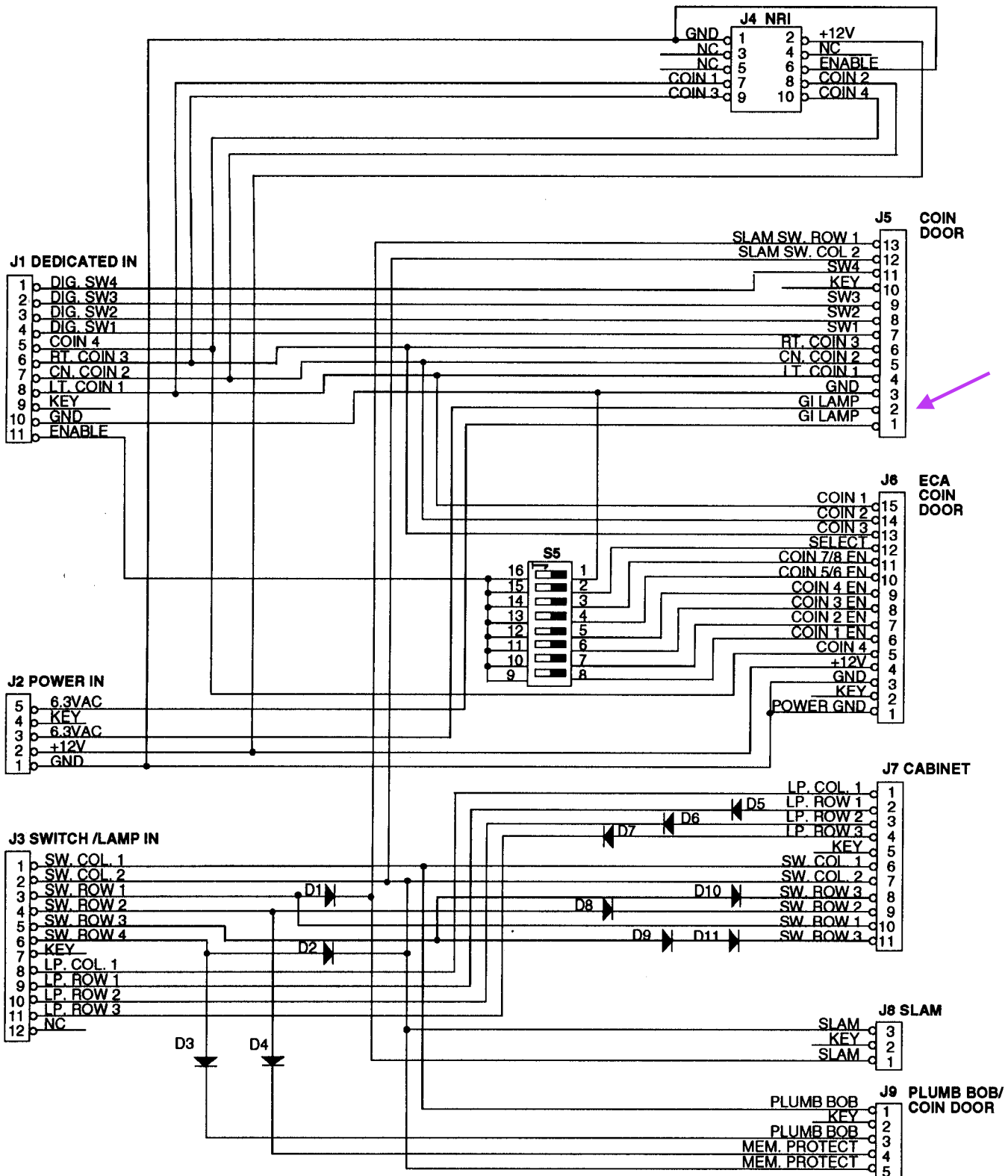


Coin Door Interface PCB Schematic



NOTE: ALL DIODES IN4004