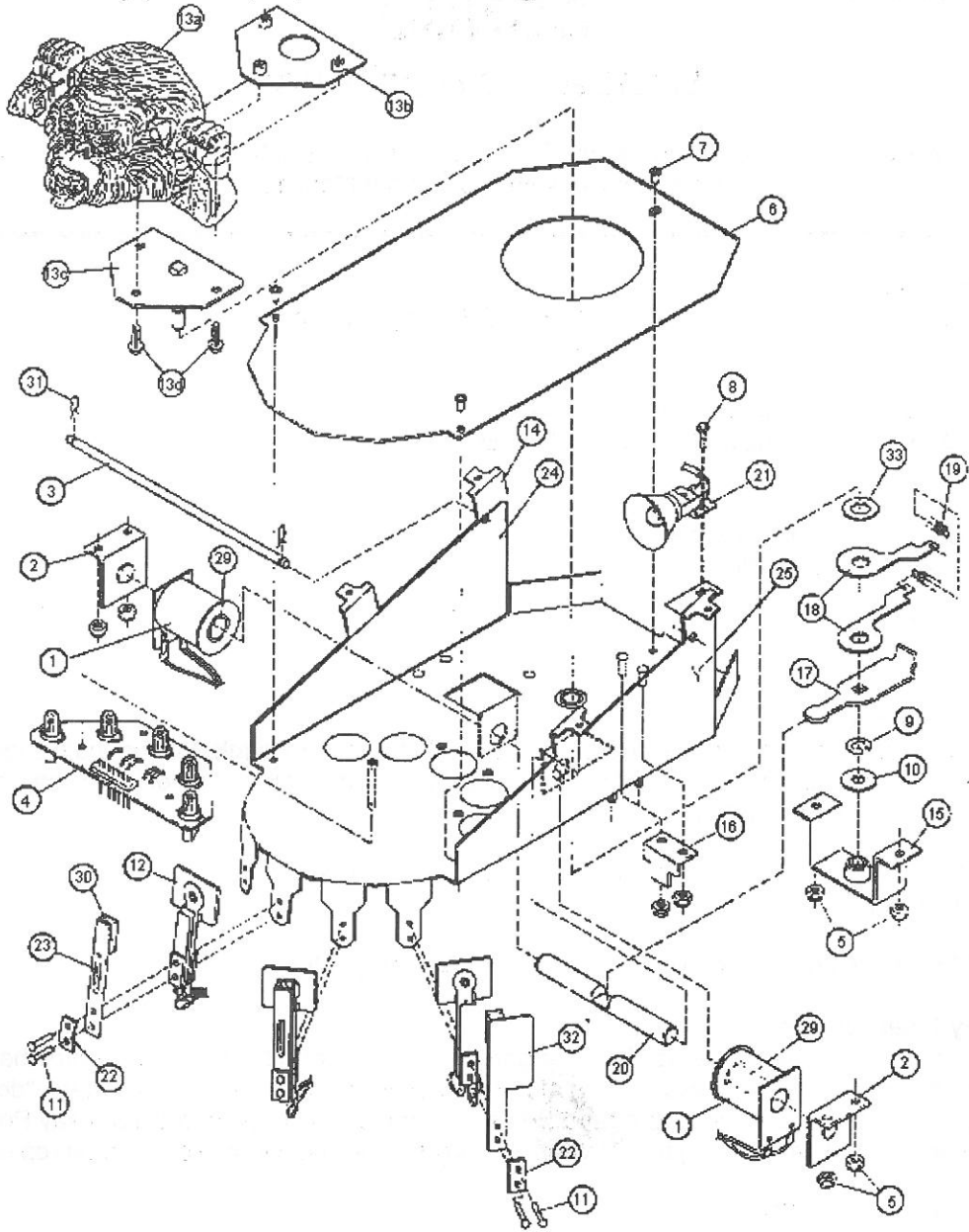


The Gorilla Assembly (A-20614) exploded view drawing was not available when the manual was printed.



Item	Part Number	Description	Item	Part Number	Description
1	AE-25-1000	Coil Assembly (2)	14	04-10324.1	Gorilla Pan
2	A-18957	Stop Bracket (2)	15	04-10330.1	Gorilla Bearing Bracket
3	02-5245.1	Ball Deflector Rod	16	01-14204	Gorilla Return Stop
4	A-20603	Lamp Board Assembly	17	01-14205.2	Gorilla Actuator Arm
a	5768-14738-00	5-Lamp PCB	18	01-14206.1	Gorilla Return Arm (2)
b	24-8767	PCB Twist Socket (5)	19	10-362	Extension Spring
c	24-8768	#555 Bulb (5)	20	02-5244	Gorilla Plunger
d	5070-09054-00	Diode, 1N4004, 1.0A (5)	21	04-10094-1	Reflector & Socket Assembly
e	5791-10871-07	7-Pin Header	22	01-3670	Curved Switch Plate (5)
5	4408-01119-01	Nut 8-32 ESN (8)	23	01-8657	Switch Limit Stop (3)
6	31-2530	Plastic Liner	24	31-2531-1	Decal
7	07-6704-04	Pop Rivet 1/8" x 1/4" (3)	25	31-2531-2	Decal
8	4008-01168-06	MS 8-32 x 3/8" PL-HH-S	26	03-9454	Ty-Wrap
9	20-8712-25	"E" Ring 1/4" Shaft	27	H-18219-1	Flasher Cable Assembly
10	4700-00033-00	FW .265 x .750 x .067	28	H-20734.1	Gorilla Cable Assembly
11	07-6688-27	Rivet 1/8" x 9/16" (10)	29	03-7066	Coil Tubing (2)
12	SW-1A-203-6	Target Switch (5)	30	23-6684-2	Edge Protector (5)
13	A-20681	Gorilla Shaft Sub-assembly	31	12-6227	Hair Pin Clip (2)
a	31-2524	Gray Gorilla	32	01-14282	Switch Ball Stop (2)
b	04-10325	Gorilla Mounting Plate	33	4700-00080-00	FW .390 x .750 x .059
c	04-10327.1	Gorilla Shaft Plate			
d	4008-01113-08	MS 8-32 x 1/2" PL-HWH (3)			