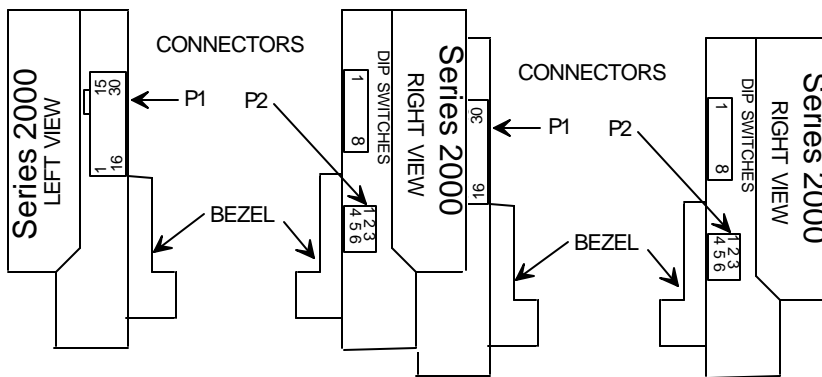


Applicable Site(s)	West Chester	Ref	20105-002850046-PS		
Subject	Series 2000 Interface Manual	ECN	66797	Issue	G2
		Page		80 of 109	

Appendix A

APPENDIX A- ELECTRICAL CONNECTIONS

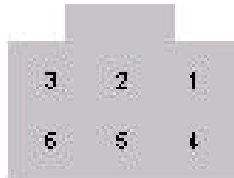
5.1 Connector Locations



Applicable Site(s)	West Chester	Ref	20105-002850046-PS		
Subject	Series 2000 Interface Manual	ECN	66797	Issue	G2
		Page		81 of 109	

5.2 Connector Assignment For The Cash Counter (Except for selected models, this feature is not available on products manufactured after December 2001)

- Pin 1 Reserved
- Pin 2 Reserved
- Pin 3 Cash Counter Present Input
- Pin 4 Cash Counter Pulse (Ground)
- Pin 5 Cash Counter Pulse (Source)
- Pin 6 Reserved



Mating connector information

- Connector AMP-2-87456-5
- Pins AMP 87756-6 Strip Form
- Pins AMP 87756-7 Loose Form
- Key AMP 86286-1 Key

5.3 P1 (30-pin connector) for Vending Interfaces ONLY

1	2	3	4	5	6	7	8	9	10	11	12	13	14	15
16	17	18	19	20	21	22	23	24	25	26	27	28	29	30

	Interface - P1	
	<u>115 Volt AC Version</u>	<u>24 Volt AC/MDB Version</u>
Pin 1	CREDIT RELAY, Common	*
Pin 2	RESERVED	CREDIT RELAY, NO
Pin 3	NEUTRAL ENABLE	24 VAC HOT (Power)
Pin 4	115VAC NEUTRAL (Power)	HOT ENABLE
Pin 5	NEUTRAL INHIBIT	KEY
Pin 6	KEY	MDB MASTER RECEIVE
Pin 7	Denom 1 CREDIT_NOT	*
Pin 8	INTERRUPT_NOT	*
Pin 9	Denom 3 CREDIT_NOT	*
Pin 10	GROUND	*
Pin 11	SERIAL DATA OUT	*
Pin 12	ESCROW, High	*

Applicable Site(s)	West Chester	Ref	20105-002850046-PS		
Subject	Series 2000 Interface Manual	ECN	66797	Issue	G2
		Page		82 of 109	

Pin 13	Denom 3 ENABLE, High	*
Pin 14	Denom 2 ENABLE, High	\$2 ENABLE, High / MDB MASTER TX
Pin 15	Denom 1 ENABLE, High	*
Pin 16	CREDIT RELAY, Normally Open	DC RETURN / CASH COUNTER LOW
Pin 17	RESERVED	NEUTRAL INHIBIT
Pin 18	HOT ENABLE	NEUTRAL ENABLE
Pin 19	KEY	CASH COUNTER HI
Pin 20	115VAC HOT (Power)	24 VAC NEUTRAL (Power)
Pin 21	EARTH GROUND	KEY
Pin 22	OUT-OF-SERVICE_NOT	*
Pin 23	RESERVED	MDB 34 VDC
Pin 24	ACCEPT ENABLE_NOT	*
Pin 25	Denom 2 CREDIT_NOT / OUT-OF-SERVICE POWER	*
Pin 26	SEND_NOT	*
Pin 27	Denom 1 ENABLE, Low	*
Pin 28	Denom 2 ENABLE, Low	\$2 ENABLE, Low / MDB COMMON
Pin 29	Denom 3 ENABLE, Low	*
Pin 30	ESCROW, Low	*

* Indicates same as 115 Volt AC Version

5.4 P1 (30-pin connector) for Gaming Interfaces ONLY

1	2	3	4	5	6	7	8	9	10	11	12	13	14	15
16	17	18	19	20	21	22	23	24	25	26	27	28	29	30

	Interface - P1 <u>115 Volt AC Version</u>	<u>24 Volt AC/MDB Version</u>
Pin 1	CREDIT RELAY, Common	*
Pin 2	RESERVED	CREDIT RELAY, N.O.
Pin 3	RESERVED	24 VAC HOT (Power)
Pin 4	115VAC NEUTRAL (Power)	RESERVED
Pin 5	RESERVED	KEY
Pin 6	KEY	RESERVED
Pin 7	CREDIT-PULSE_NOT	*
Pin 8	INTERRUPT_NOT	*
Pin 9	SERIAL / PULSE_NOT	*
Pin 10	LOW LEVEL GND / SIGNAL GND	*
Pin 11	SERIAL DATA OUT	*
Pin 12	NOT USED	*
Pin 13	NOT USED	*
Pin 14	NOT USED	*
Pin 15	NOT USED	*
Pin 16	CREDIT RELAY, Normally Open	DC RETURN / CASH COUNTER LOW
Pin 17	RESERVED	*
Pin 18	RESERVED	*
Pin 19	KEY	CASH COUNTER HI
Pin 20	115VAC HOT (Power)	24 VAC NEUTRAL (Power)
Pin 21	EARTH GROUND	KEY
Pin 22	OUT-OF-SERVICE_NOT	*

Applicable Site(s)	West Chester	Ref	20105-002850046-PS		
Subject	Series 2000 Interface Manual	ECN	66797	Issue	G2
		Page		83 of 109	

Pin 23	RESERVED	*
Pin 24	ACCEPT-ENABLE_NOT	*
Pin 25	OUT-OF-SERVICE POWER	*
Pin 26	SEND_NOT / SERIAL DATA IN	*
Pin 27	RESERVED	*
Pin 28	RESERVED	*
Pin 29	RESERVED	*
Pin 30	RESERVED	*

- Indicates same as 115 Volt AC Version

5.5 18-pin Connector Compatibility

The Bill Acceptor supports 18-pin plugs used with VFM, GL, and AL series acceptors. The plug fits in a portion of the P1 connector as shown:

								1	2	3	4	5	6	7	8	9
								10	11	12	13	14	15	16	17	18

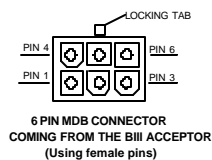
- ♦ Connector part information:
- ♦ AMP "MODU" (18) pin MT receptacle
- ♦ AMP Part #102398-7 IDC Connector Housing
- ♦ AMP Part #102536-7 Back cover
- ♦ AMP Part #102681-4 Front cover
- ♦ #22 Gauge Wire Recommended

5.6 Connector Assignment For MDB Validator Cable

(REFERENCE MEI PN: 250071009)

Below is a list of interface signals as defined for the six position connector for the MDB version. The above pinout conforms to the below pinout using an interconnect cable. The cable design is such that the signals are daisy-chained to other peripherals in the system.

- Pin 1 34 VDC (nominal - 24 VAC rectified)
- Pin 2 HIGH VOLTAGE GROUND
- Pin 3 N/C
- Pin 4 Master Receive (data from Validator to VMC)
- Pin 5 Master Transmit (data from VMC to Validator)
- Pin 6 Communications Common



Mating connector information:

- Connector - Molex 39-01-3063
- Strain Relief - Molex 15-04-0296
- Contacts - Molex 39-00-0048 (strip)
- Molex 39-00-0049 (loose)

Applicable Site(s)	West Chester	Ref	20105-002850046-PS		
Subject	Series 2000 Interface Manual	ECN	66797	Issue	G2
		Page			84 of 109

Connector information:

Connector - Molex 39-01-2060
 Strain Relief - Molex 15-04-0296
 Contacts - Molex 39-00-0046 (strip)
 Molex 39-00-0047 (loose)

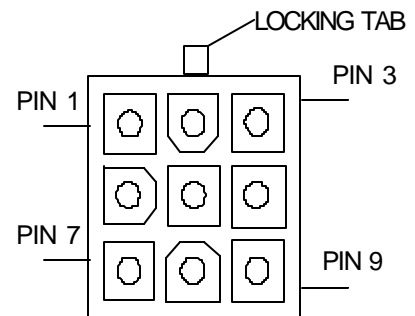
5.7 Connector Assignment For The VFM Equivalent/Adapter Cable
 (REFERENCE MEI PN: 250077006)

- Pin 1 NEUTRAL INHIBIT
 - Pin 2 NEUTRAL ENABLE
 - Pin 3 HOT ENABLE
 - Pin 4 115 VAC HOT (POWER)
 - Pin 5 24 VAC HOT (POWER)
 - Pin 6 115 VAC NEUTRAL [24 VAC NEUTRAL POWER]
 - Pin 7 CREDIT RELAY (NO)
 - Pin 8 CREDIT RELAY (COM)
 - Pin 9 Reserved
- Green / Yellow wire with Lug Terminal Tie to Earth

Mating Connector Information

Connector - Amp 172169-1
 Contacts - Amp 770901-1 (strip)
 Amp 770985-1 (loose)

Connector part information:
 AMP "MATE-N-LOCK" (9) pin
 AMP Part #172161-1 Shell
 AMP Part #170364-1 Male pin
 #22 Gauge Wire Recommended



**9 PIN VFM ADAPTER PLUG
 COMING FROM THE BIII ACCEPTOR
 (Uses female pins)**