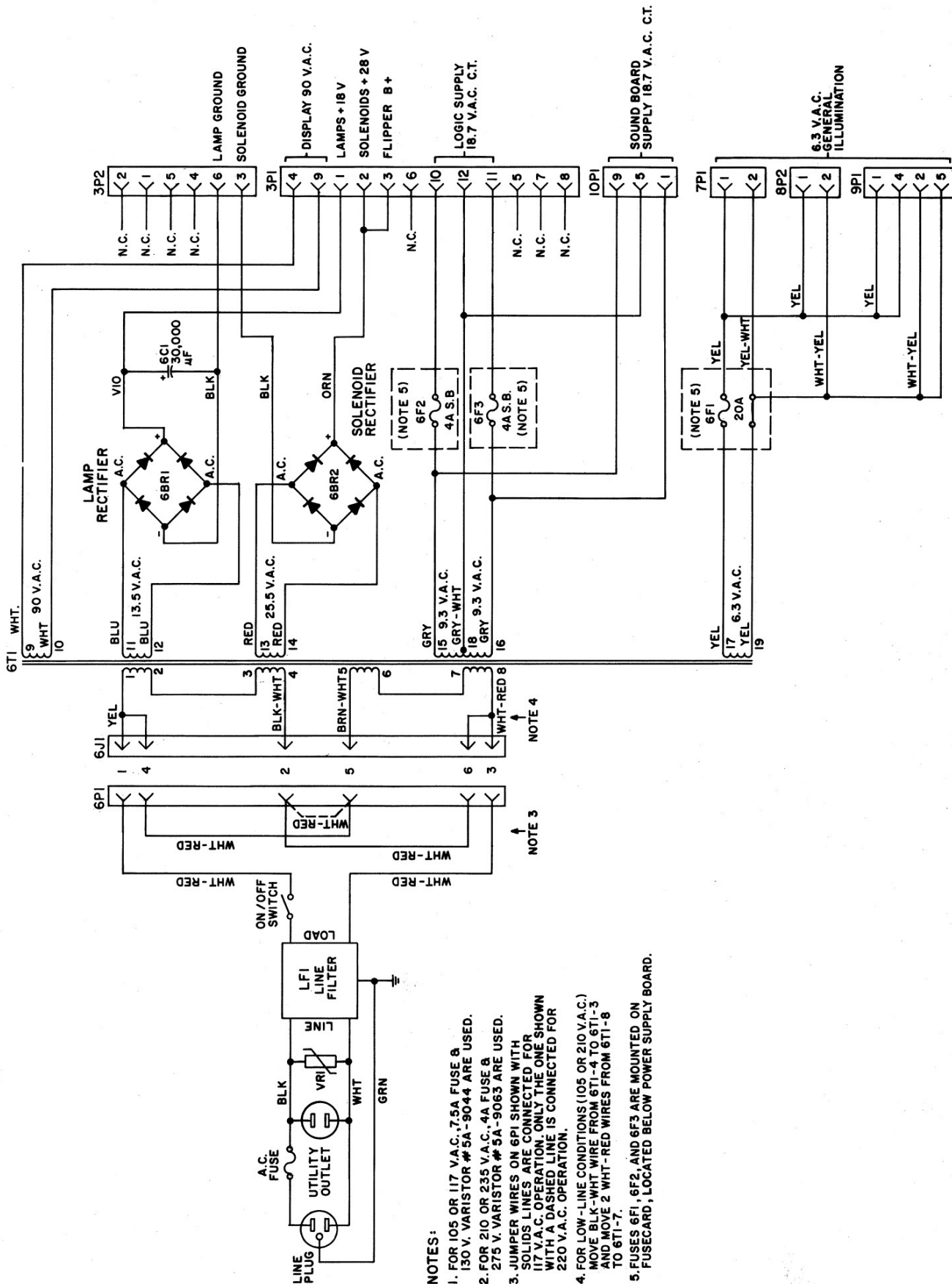


POWER WIRING



NOTES:

1. FOR 105 OR 117 V.A.C., 7.5A FUSE & 130 V. VARIATOR # 5A-9044 ARE USED.
2. FOR 210 OR 235 V.A.C., 4A FUSE & 275 V. VARIATOR # 5A-9063 ARE USED.
3. JUMPER WIRES ON 6P1 SHOWN WITH SOLIDS LINES ARE CONNECTED FOR 117 V.A.C. OPERATION, ONLY THE ONE SHOWN WITH A DASHED LINE IS CONNECTED FOR 220 V.A.C. OPERATION.
4. FOR LOW-LINE CONDITIONS (105 OR 210 V.A.C.) MOVE BLK-WHT WIRE FROM 6T1-4 TO 6T1-3 AND MOVE 2 WHT-RED WIRES FROM 6T1-8 TO 6T1-7.
5. FUSES 6F1, 6F2, AND 6F3 ARE MOUNTED ON FUSECARD, LOCATED BELOW POWER SUPPLY BOARD.