

G

F

E

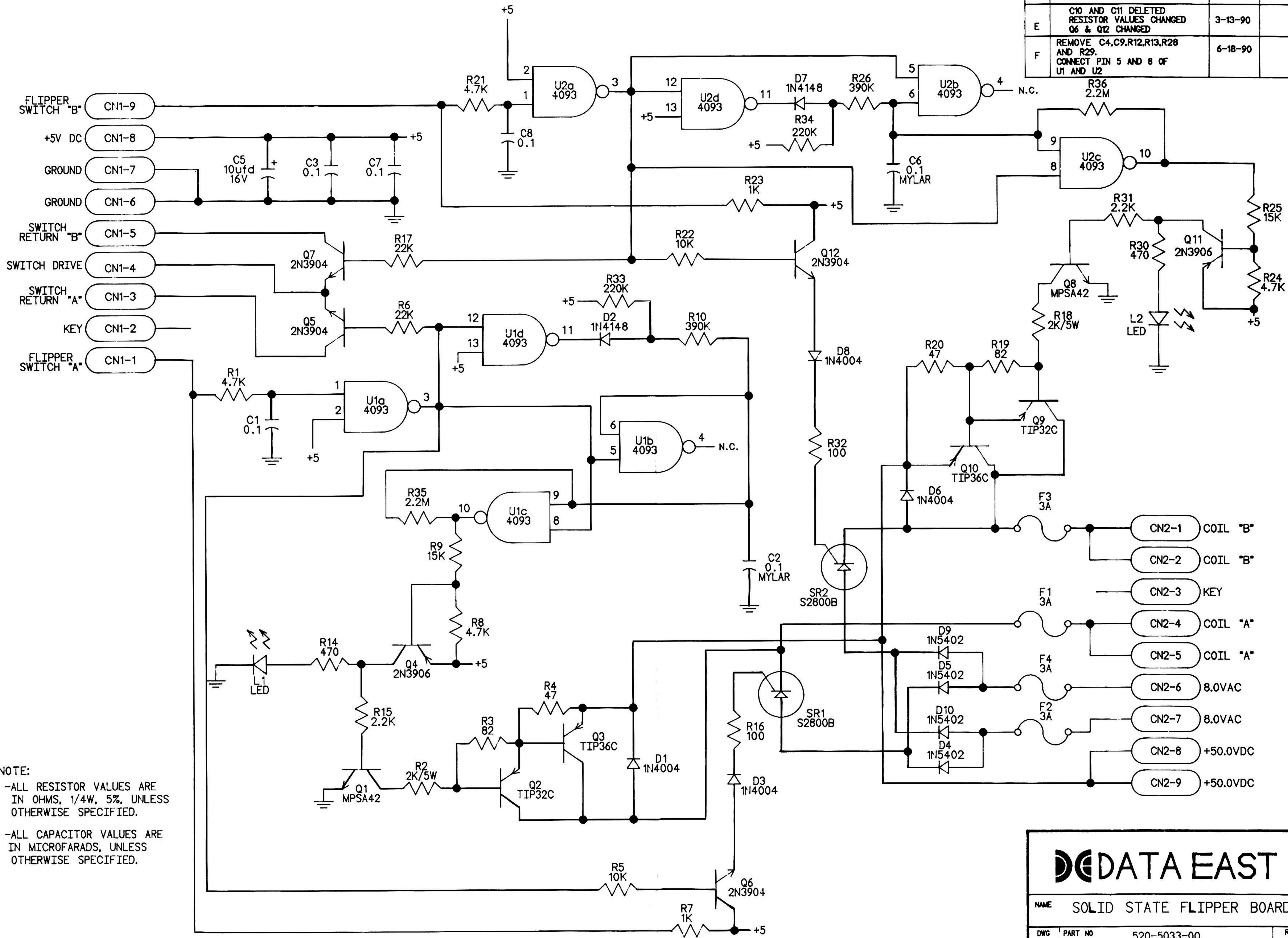
D

C

B

A

REVISIONS			
REV	DESCRIPTION	DATE	APPROVED
C	R10 AND R26 VALUES CHANGED.	11-30-89	
E	C10 AND C11 DELETED RESISTOR VALUES CHANGED Q6 & Q12 CHANGED	3-13-90	
F	REMOVE C4,C9,R12,R13,R28 AND R29. CONNECT PIN 5 AND 8 OF U1 AND U2	6-18-90	



NOTE:
 -ALL RESISTOR VALUES ARE IN OHMS, 1/4W, 5%, UNLESS OTHERWISE SPECIFIED.
 -ALL CAPACITOR VALUES ARE IN MICROFARADS, UNLESS OTHERWISE SPECIFIED.

DATA EAST

NAME SOLID STATE FLIPPER BOARD

DWG C	PART NO 520-5033-00	REV F
SIZE SHEET 1 of 1	MODEL TY-FFASI-2006	