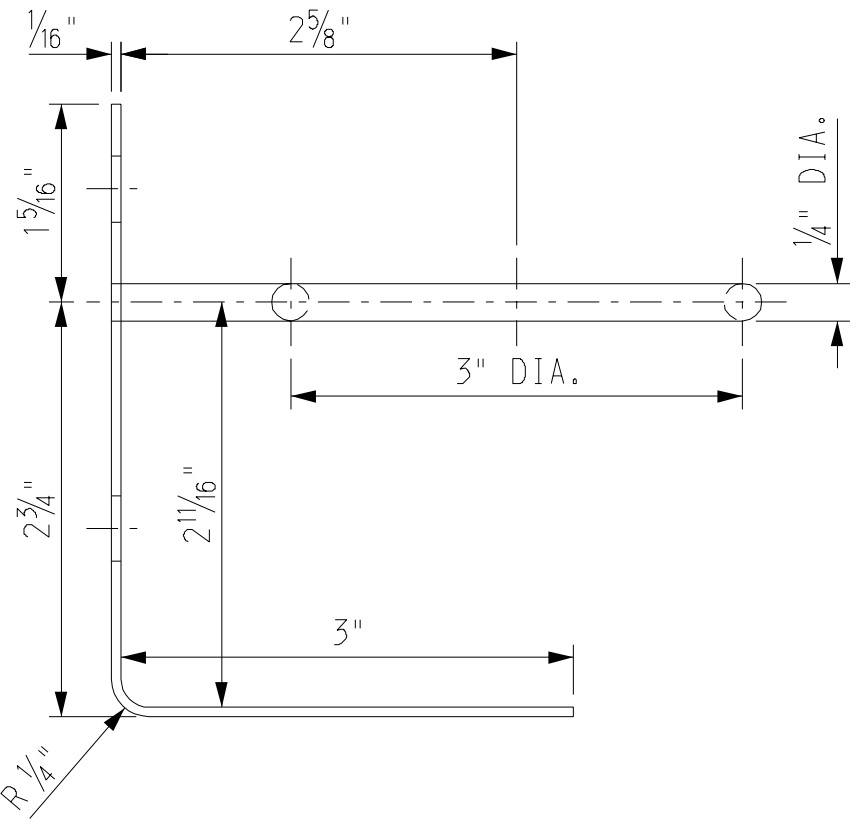
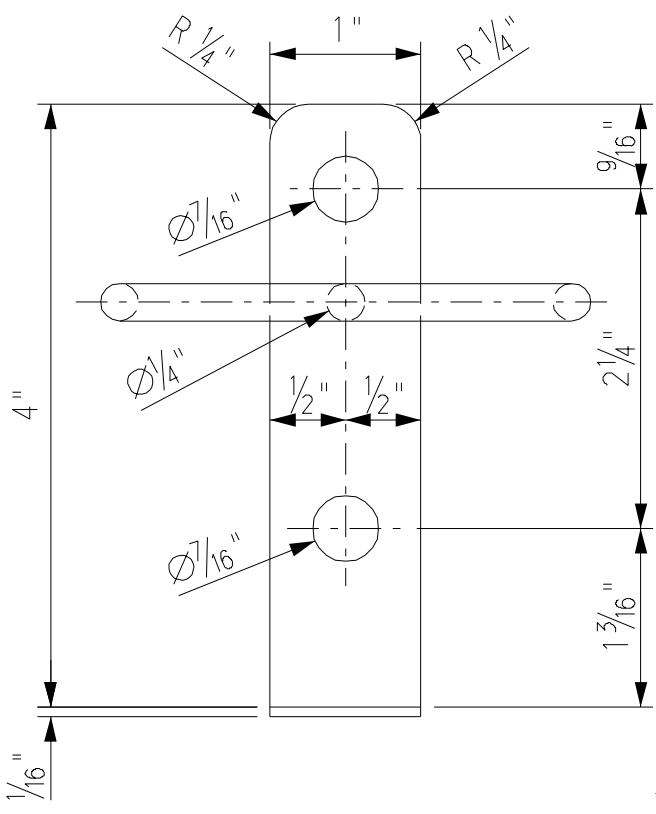


NOTES:

1. CUP HOLDER TO BE INSTALLED ON OUTSIDE OF EXISTING MACHINE LEG USING EXISTING LEG BOLTS.
2. UNIT IS DESIGNED TO SUBSTANTIALLY ACCOMMODATE 12 OZ. BOTTLES AND CANS.
3. MOUNTING LOCATION IS AWAY FROM GAME CONTROL AREA, BUT CONVENIENT TO USER.
4. GLOSS BLACK FINISH IS AESTHETICALLY PLEASING WITH ALL GAME COLOR SCHEMES.



SCALE: $\frac{3}{4}$ " = 1"

PINBALL MACHINE BEVERAGE HOLDER