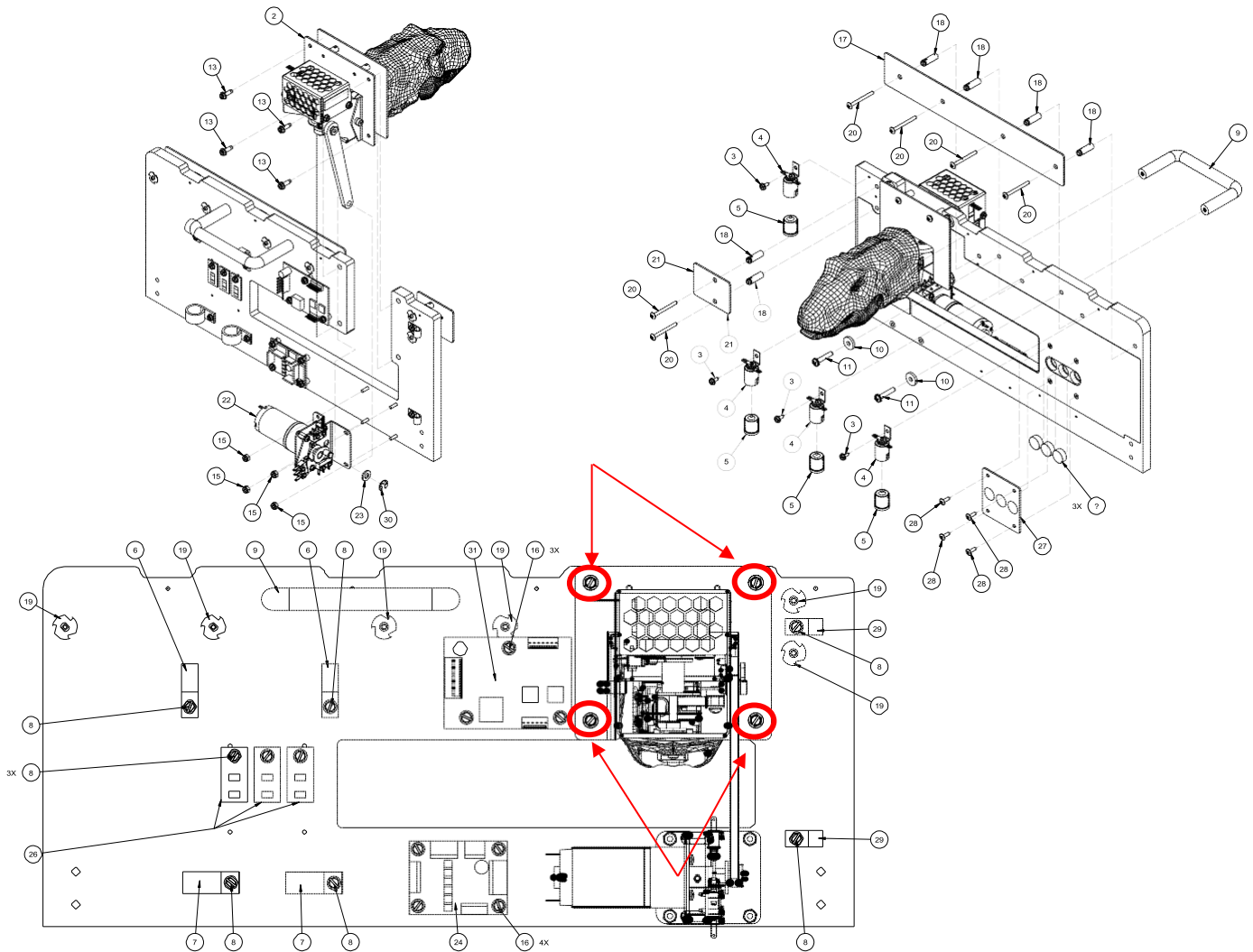


5.60 BACK PANEL ASSEMBLY

500-1167-00



ID	Part Number	Description	Qty
1	525-9730-00	BACK PANEL, JURASSIC PARK, LE	1
2	500-2478-00	TREX MAIN ASSEMBLY	1
3	234-5000-00	SCREW, #6 X 3/8" HWH	4
4	077-5100-00	LAYDOWN STANDARD SOCKET	4
5	113-5045-08	MULTI-LED FLASHER, 5 VDC - WHITE	4
6	040-5000-06	1/2" CABLE CLAMP	2
7	040-5000-08	WIRE CLIP, 3/4" OPEN TAB	2
8	234-5001-02	SCREW, #6 X 1/2" HWH	9
9	535-1926-00	HANDLE, BACKPANEL, 2.5 INCH	1
10	242-5039-00	WASHER - 13/64 ID X 5/8 OD X .105	2
11	232-5406-00	SCREW, 10-32 X 1" PPH SEMS	2
12	240-5101-00	8-32 T-NUT	4
13	237-5975-01	SCREW, 8-32 x 1/2 HWH SLOT SERR SW ZINC	4
14	237-5921-04	FIN SHANK SCREW - 7/8" LG.	4
15	240-5005-00	6-32 NYLON STOP NUT	4
16	234-5003-00	SCREW, #6 X 3/4" HWH	7

17	830-1034-65	PLASTIC, JURASSIC PARK LE, -65	1
18	254-5007-03	3/4" SELF RETAINING SPACER	6
19	240-5002-00	6-32 T-NUT	6
20	237-5009-00	6-32 x 1.5" PTH MS ZINC	6
21	830-1034-66	PLASTIC, JURASSIC PARK LE, -66	1
22	511-7983-00	TREX TILT ASSMELBY	1
23	242-5008-00	WASHER, 1/4" ID X 1/2" OD X 1/16" THICK	1
24	520-6996-00	PCB, SERIAL MOTOR CONTROLLER	1
25	550-5000-01N	INSERT CIRCLE .625 DIA STARBURST - CLEAR	3
26	520-5307-00	SINGLE LED PCB	3
27	830-1034-85	PLASTIC, JURASSIC PARK LE, -85	1
28	237-5809-00	SCREW, #6 X 1/2" PTH A	4
29	040-5000-03	1/4" CABLE CLAMP	2
30	270-5002-00	RETAINING RING - 1/4"	1
31	520-8424-00	STEPPER MOTOR DRIVER BOARD	1
32	820-1088-60	DECAL, JURASSIC PARK LE, -60	1
33	820-1088-61	DECAL, JURASSIC PARK LE, -61	1

