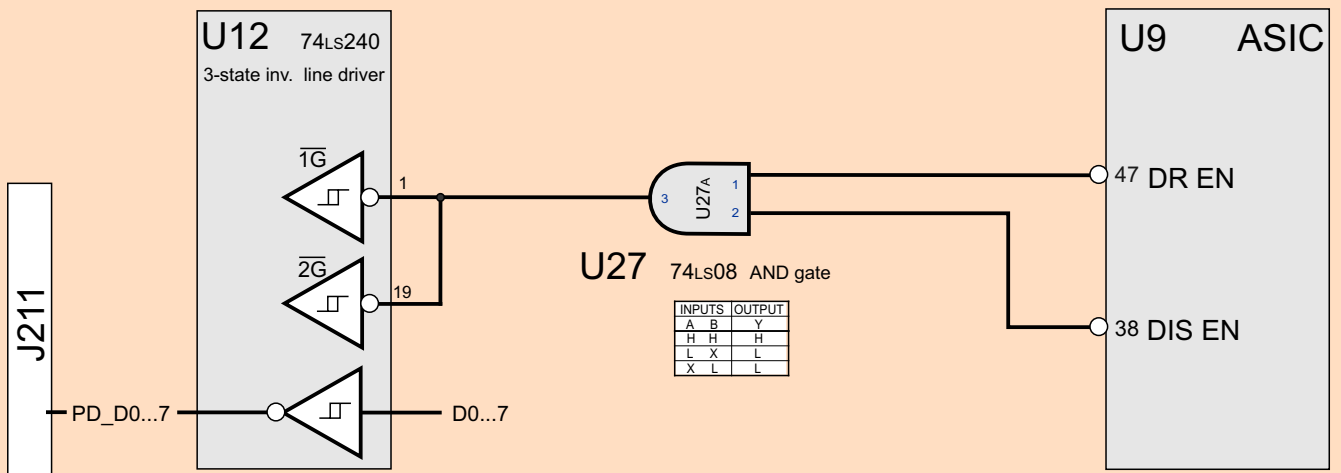


A-20119 WPC95 CPU-board

drive enable - data D0-D7 enable for power driver board



A-21377 WPC95 CPU-board

drive enable - data D0-D7 enable for power driver board

