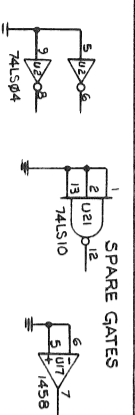
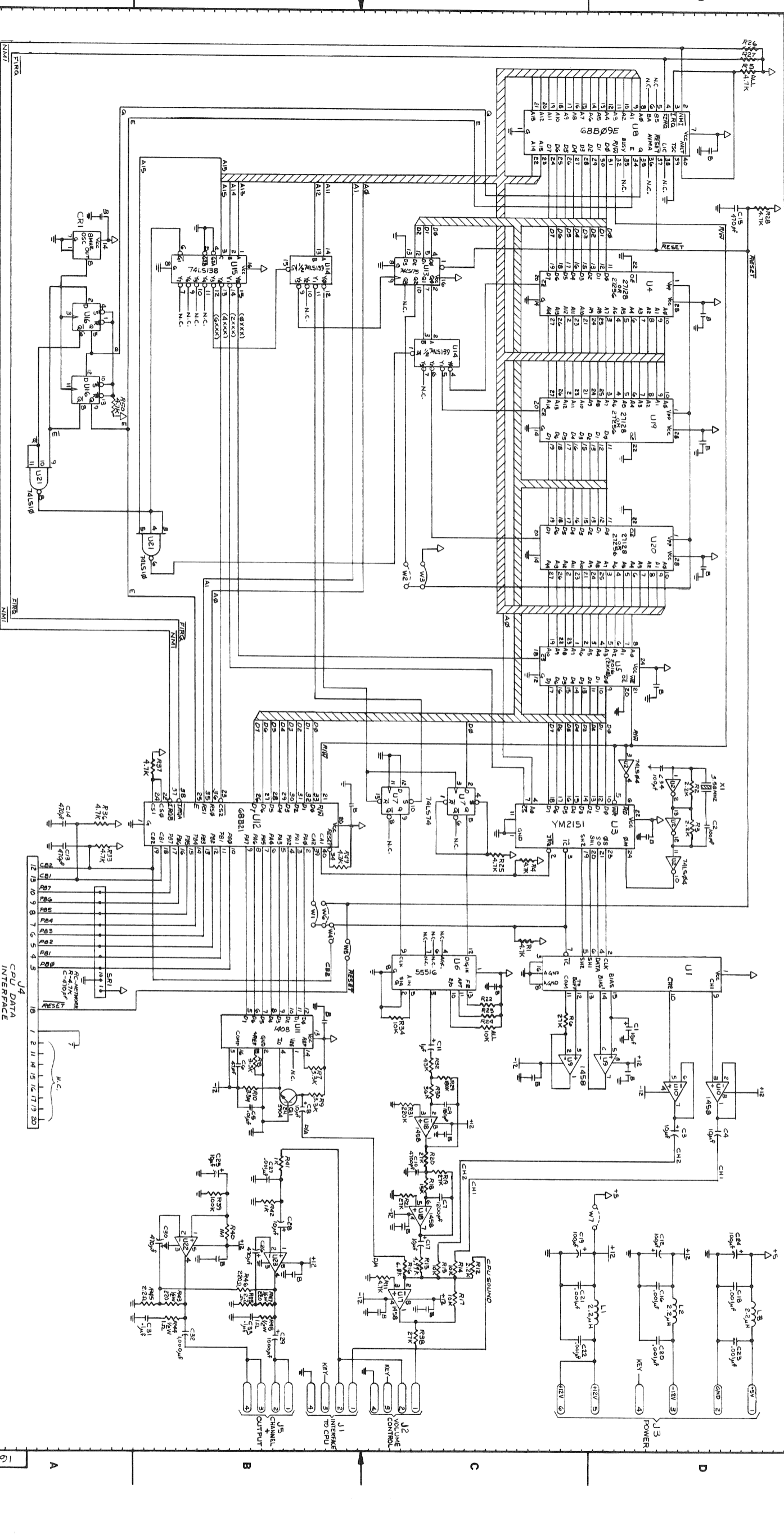


REV	DESCRIPTION OF CHANGE	FORM DATE
U. P. R.		1/6/72 2.27-87

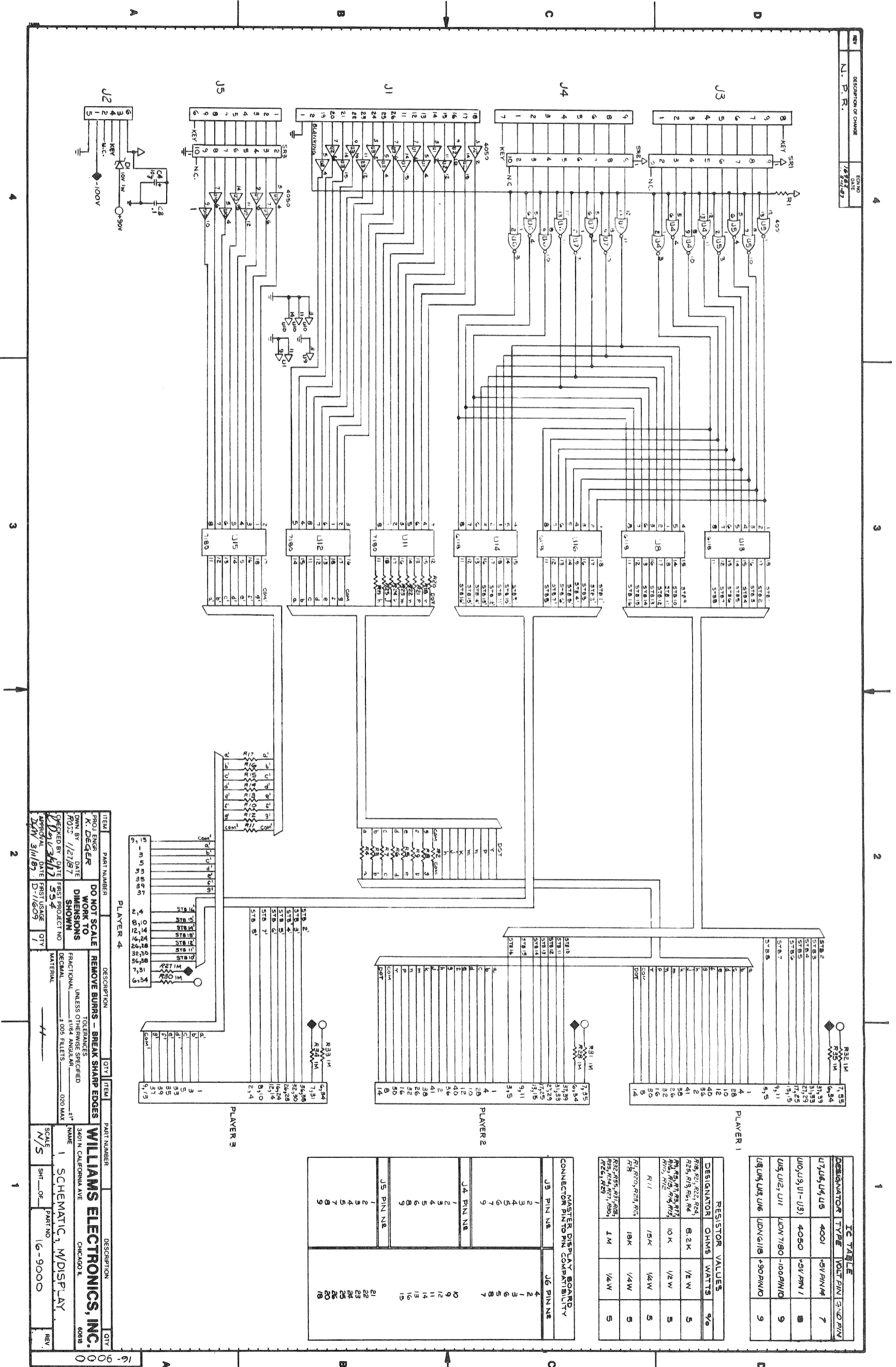


NOTES:
- ALL CAPACITORS WITH "B" ARE BYPASS AND HAVE A VALUE OF .01 μ F.
- LAST USED C31, R46, U23, W7, U5, L5.

ITEM	PART NUMBER	DESCRIPTION	QTY	ITEM	PART NUMBER	DESCRIPTION	QTY
1	PROJ. ENGR	REMOVE BURNS - BREAK SHARP CORNERS & EDGES		1	WILLIAMS ELECTRONICS, INC.		
2	DATE	TOLERANCES UNLESS OTHERWISE SPECIFIED		2	3401 N. CALIFORNIA AVE.		
3	OWN BY	UNLESS OTHERWISE SPECIFIED		3	CHICAGO, ILL.		
4	DATE	UNLESS OTHERWISE SPECIFIED		4			
5	CHECKED BY	UNLESS OTHERWISE SPECIFIED		5			
6	DATE	UNLESS OTHERWISE SPECIFIED		6			
7	FIRST PROJECT NO.	UNLESS OTHERWISE SPECIFIED		7			
8	CHECKED BY	UNLESS OTHERWISE SPECIFIED		8			
9	DATE	UNLESS OTHERWISE SPECIFIED		9			
10	FIRST USAGE	UNLESS OTHERWISE SPECIFIED		10			
11	APPROVAL	UNLESS OTHERWISE SPECIFIED		11			
12	DATE	UNLESS OTHERWISE SPECIFIED		12			
13	FIRST USAGE	UNLESS OTHERWISE SPECIFIED		13			
14	APPROVAL	UNLESS OTHERWISE SPECIFIED		14			
15	DATE	UNLESS OTHERWISE SPECIFIED		15			
16	FIRST USAGE	UNLESS OTHERWISE SPECIFIED		16			
17	APPROVAL	UNLESS OTHERWISE SPECIFIED		17			
18	DATE	UNLESS OTHERWISE SPECIFIED		18			
19	FIRST USAGE	UNLESS OTHERWISE SPECIFIED		19			
20	APPROVAL	UNLESS OTHERWISE SPECIFIED		20			
21	DATE	UNLESS OTHERWISE SPECIFIED		21			
22	FIRST USAGE	UNLESS OTHERWISE SPECIFIED		22			
23	APPROVAL	UNLESS OTHERWISE SPECIFIED		23			
24	DATE	UNLESS OTHERWISE SPECIFIED		24			
25	FIRST USAGE	UNLESS OTHERWISE SPECIFIED		25			
26	APPROVAL	UNLESS OTHERWISE SPECIFIED		26			
27	DATE	UNLESS OTHERWISE SPECIFIED		27			
28	FIRST USAGE	UNLESS OTHERWISE SPECIFIED		28			
29	APPROVAL	UNLESS OTHERWISE SPECIFIED		29			
30	DATE	UNLESS OTHERWISE SPECIFIED		30			
31	FIRST USAGE	UNLESS OTHERWISE SPECIFIED		31			
32	APPROVAL	UNLESS OTHERWISE SPECIFIED		32			
33	DATE	UNLESS OTHERWISE SPECIFIED		33			
34	FIRST USAGE	UNLESS OTHERWISE SPECIFIED		34			
35	APPROVAL	UNLESS OTHERWISE SPECIFIED		35			
36	DATE	UNLESS OTHERWISE SPECIFIED		36			
37	FIRST USAGE	UNLESS OTHERWISE SPECIFIED		37			
38	APPROVAL	UNLESS OTHERWISE SPECIFIED		38			
39	DATE	UNLESS OTHERWISE SPECIFIED		39			
40	FIRST USAGE	UNLESS OTHERWISE SPECIFIED		40			
41	APPROVAL	UNLESS OTHERWISE SPECIFIED		41			
42	DATE	UNLESS OTHERWISE SPECIFIED		42			
43	FIRST USAGE	UNLESS OTHERWISE SPECIFIED		43			
44	APPROVAL	UNLESS OTHERWISE SPECIFIED		44			
45	DATE	UNLESS OTHERWISE SPECIFIED		45			
46	FIRST USAGE	UNLESS OTHERWISE SPECIFIED		46			
47	APPROVAL	UNLESS OTHERWISE SPECIFIED		47			
48	DATE	UNLESS OTHERWISE SPECIFIED		48			
49	FIRST USAGE	UNLESS OTHERWISE SPECIFIED		49			
50	APPROVAL	UNLESS OTHERWISE SPECIFIED		50			
51	DATE	UNLESS OTHERWISE SPECIFIED		51			
52	FIRST USAGE	UNLESS OTHERWISE SPECIFIED		52			
53	APPROVAL	UNLESS OTHERWISE SPECIFIED		53			
54	DATE	UNLESS OTHERWISE SPECIFIED		54			
55	FIRST USAGE	UNLESS OTHERWISE SPECIFIED		55			
56	APPROVAL	UNLESS OTHERWISE SPECIFIED		56			
57	DATE	UNLESS OTHERWISE SPECIFIED		57			
58	FIRST USAGE	UNLESS OTHERWISE SPECIFIED		58			
59	APPROVAL	UNLESS OTHERWISE SPECIFIED		59			
60	DATE	UNLESS OTHERWISE SPECIFIED		60			
61	FIRST USAGE	UNLESS OTHERWISE SPECIFIED		61			
62	APPROVAL	UNLESS OTHERWISE SPECIFIED		62			
63	DATE	UNLESS OTHERWISE SPECIFIED		63			
64	FIRST USAGE	UNLESS OTHERWISE SPECIFIED		64			
65	APPROVAL	UNLESS OTHERWISE SPECIFIED		65			
66	DATE	UNLESS OTHERWISE SPECIFIED		66			
67	FIRST USAGE	UNLESS OTHERWISE SPECIFIED		67			
68	APPROVAL	UNLESS OTHERWISE SPECIFIED		68			
69	DATE	UNLESS OTHERWISE SPECIFIED		69			
70	FIRST USAGE	UNLESS OTHERWISE SPECIFIED		70			
71	APPROVAL	UNLESS OTHERWISE SPECIFIED		71			
72	DATE	UNLESS OTHERWISE SPECIFIED		72			
73	FIRST USAGE	UNLESS OTHERWISE SPECIFIED		73			
74	APPROVAL	UNLESS OTHERWISE SPECIFIED		74			
75	DATE	UNLESS OTHERWISE SPECIFIED		75			
76	FIRST USAGE	UNLESS OTHERWISE SPECIFIED		76			
77	APPROVAL	UNLESS OTHERWISE SPECIFIED		77			
78	DATE	UNLESS OTHERWISE SPECIFIED		78			
79	FIRST USAGE	UNLESS OTHERWISE SPECIFIED		79			
80	APPROVAL	UNLESS OTHERWISE SPECIFIED		80			
81	DATE	UNLESS OTHERWISE SPECIFIED		81			
82	FIRST USAGE	UNLESS OTHERWISE SPECIFIED		82			
83	APPROVAL	UNLESS OTHERWISE SPECIFIED		83			
84	DATE	UNLESS OTHERWISE SPECIFIED		84			
85	FIRST USAGE	UNLESS OTHERWISE SPECIFIED		85			
86	APPROVAL	UNLESS OTHERWISE SPECIFIED		86			
87	DATE	UNLESS OTHERWISE SPECIFIED		87			
88	FIRST USAGE	UNLESS OTHERWISE SPECIFIED		88			
89	APPROVAL	UNLESS OTHERWISE SPECIFIED		89			
90	DATE	UNLESS OTHERWISE SPECIFIED		90			
91	FIRST USAGE	UNLESS OTHERWISE SPECIFIED		91			
92	APPROVAL	UNLESS OTHERWISE SPECIFIED		92			
93	DATE	UNLESS OTHERWISE SPECIFIED		93			
94	FIRST USAGE	UNLESS OTHERWISE SPECIFIED		94			
95	APPROVAL	UNLESS OTHERWISE SPECIFIED		95			
96	DATE	UNLESS OTHERWISE SPECIFIED		96			
97	FIRST USAGE	UNLESS OTHERWISE SPECIFIED		97			
98	APPROVAL	UNLESS OTHERWISE SPECIFIED		98			
99	DATE	UNLESS OTHERWISE SPECIFIED		99			
100	FIRST USAGE	UNLESS OTHERWISE SPECIFIED		100			

Audio Board (D-11581) Schematic

BIG GUNS 62



REV	DESCRIPTION OF CHANGE	DATE	BY
1	N. P. R.	1/27/67	ROSS

DESIGNATOR	TYPE	VOLT PIN	3-0 PIN
U7, U4, U4, U5	4001	-5V PIN 4	7
U10, U3, U1 - U3	4050	+5V PIN 1	8
U15, U12, U11	UDN1780	-100 PIN 10	9
U18, U15, U16	UDN6118	+30 PIN 10	9

DESIGNATOR	OHMS	WATTS	%
R19, R21, R23, R24	8.2K	1/2 W	5
R25, R13, R6, R4	10K	1/2 W	5
R10, R5, R7, R2, R7, R12, R12, R12, R12, R12, R12	15K	1/4 W	5
R11	15K	1/4 W	5
R14, R20, R23, R13	18K	1/4 W	5
R22, R25, R21, R28, R28, R14, R21, R20, R21, R23	1M	1/4 W	5

J3 PIN N.B.	J6 PIN N.B.
1	4
2	3
3	1
4	2
5	5
6	6
7	7
8	8
9	9

J4 PIN N.B.	J5 PIN N.B.
1	21
2	22
3	23
4	24
5	25
6	26
7	27
8	28
9	29
	30
	31
	32
	33
	34
	35
	36
	37
	38
	39
	40
	41
	42
	43
	44
	45
	46
	47
	48
	49
	50
	51
	52
	53
	54
	55
	56
	57
	58
	59
	60
	61
	62
	63
	64
	65
	66
	67
	68
	69
	70
	71
	72
	73
	74
	75
	76
	77
	78
	79
	80
	81
	82
	83
	84
	85
	86
	87
	88
	89
	90
	91
	92
	93
	94
	95
	96
	97
	98
	99
	100

ITEM	PART NUMBER	DESCRIPTION	QTY	REV.
1	16-9000	SCHEMATIC, W/DISPLAY		0

ITEM	PART NUMBER	DESCRIPTION	QTY	REV.
1	16-9000	SCHEMATIC, W/DISPLAY		0

ITEM	PART NUMBER	DESCRIPTION	QTY	REV.
1	16-9000	SCHEMATIC, W/DISPLAY		0

ITEM	PART NUMBER	DESCRIPTION	QTY	REV.
1	16-9000	SCHEMATIC, W/DISPLAY		0

ITEM	PART NUMBER	DESCRIPTION	QTY	REV.
1	16-9000	SCHEMATIC, W/DISPLAY		0

ITEM	PART NUMBER	DESCRIPTION	QTY	REV.
1	16-9000	SCHEMATIC, W/DISPLAY		0

ITEM	PART NUMBER	DESCRIPTION	QTY	REV.
1	16-9000	SCHEMATIC, W/DISPLAY		0

ITEM	PART NUMBER	DESCRIPTION	QTY	REV.
1	16-9000	SCHEMATIC, W/DISPLAY		0

ITEM	PART NUMBER	DESCRIPTION	QTY	REV.
1	16-9000	SCHEMATIC, W/DISPLAY		0

ITEM	PART NUMBER	DESCRIPTION	QTY	REV.
1	16-9000	SCHEMATIC, W/DISPLAY		0

ITEM	PART NUMBER	DESCRIPTION	QTY	REV.
1	16-9000	SCHEMATIC, W/DISPLAY		0

ITEM	PART NUMBER	DESCRIPTION	QTY	REV.
1	16-9000	SCHEMATIC, W/DISPLAY		0

ITEM	PART NUMBER	DESCRIPTION	QTY	REV.
1	16-9000	SCHEMATIC, W/DISPLAY		0

ITEM	PART NUMBER	DESCRIPTION	QTY	REV.
1	16-9000	SCHEMATIC, W/DISPLAY		0

ITEM	PART NUMBER	DESCRIPTION	QTY	REV.
1	16-9000	SCHEMATIC, W/DISPLAY		0

ITEM	PART NUMBER	DESCRIPTION	QTY	REV.
1	16-9000	SCHEMATIC, W/DISPLAY		0

ITEM	PART NUMBER	DESCRIPTION	QTY	REV.
1	16-9000	SCHEMATIC, W/DISPLAY		0

ITEM	PART NUMBER	DESCRIPTION	QTY	REV.
1	16-9000	SCHEMATIC, W/DISPLAY		0

ITEM	PART NUMBER	DESCRIPTION	QTY	REV.
1	16-9000	SCHEMATIC, W/DISPLAY		0

ITEM	PART NUMBER	DESCRIPTION	QTY	REV.
1	16-9000	SCHEMATIC, W/DISPLAY		0

ITEM	PART NUMBER	DESCRIPTION	QTY	REV.
1	16-9000	SCHEMATIC, W/DISPLAY		0

ITEM	PART NUMBER	DESCRIPTION	QTY	REV.
1	16-9000	SCHEMATIC, W/DISPLAY		0

ITEM	PART NUMBER	DESCRIPTION	QTY	REV.
1	16-9000	SCHEMATIC, W/DISPLAY		0

ITEM	PART NUMBER	DESCRIPTION	QTY	REV.
1	16-9000	SCHEMATIC, W/DISPLAY		0

ITEM	PART NUMBER	DESCRIPTION	QTY	REV.
1	16-9000	SCHEMATIC, W/DISPLAY		0

ITEM	PART NUMBER	DESCRIPTION	QTY	REV.
1	16-9000	SCHEMATIC, W/DISPLAY		0

ITEM	PART NUMBER	DESCRIPTION	QTY	REV.
1	16-9000	SCHEMATIC, W/DISPLAY		0

ITEM	PART NUMBER	DESCRIPTION	QTY	REV.
1	16-9000	SCHEMATIC, W/DISPLAY		0

ITEM	PART NUMBER	DESCRIPTION	QTY	REV.
1	16-9000	SCHEMATIC, W/DISPLAY		0

ITEM	PART NUMBER	DESCRIPTION	QTY	REV.
1	16-9000	SCHEMATIC, W/DISPLAY		0

ITEM	PART NUMBER	DESCRIPTION	QTY	REV.
1	16-9000	SCHEMATIC, W/DISPLAY		0

ITEM	PART NUMBER	DESCRIPTION	QTY	REV.
1	16-9000	SCHEMATIC, W/DISPLAY		0

ITEM	PART NUMBER	DESCRIPTION	QTY	REV.
1	16-9000	SCHEMATIC, W/DISPLAY		0

ITEM	PART NUMBER	DESCRIPTION	QTY	REV.
1	16-9000	SCHEMATIC, W/DISPLAY		0

ITEM	PART NUMBER	DESCRIPTION	QTY	REV.
1	16-9000	SCHEMATIC, W/DISPLAY		0

ITEM	PART NUMBER	DESCRIPTION	QTY	REV.
1	16-9000	SCHEMATIC, W/DISPLAY		0

ITEM	PART NUMBER	DESCRIPTION	QTY	REV.
1	16-9000	SCHEMATIC, W/DISPLAY		0

ITEM	PART NUMBER	DESCRIPTION	QTY	REV.
1	16-9000	SCHEMATIC, W/DISPLAY		0

ITEM	PART NUMBER	DESCRIPTION	QTY	REV.
1	16-9000	SCHEMATIC, W/DISPLAY		0

ITEM	PART NUMBER	DESCRIPTION	QTY	REV.
1	16-9000	SCHEMATIC, W/DISPLAY		0

ITEM	PART NUMBER	DESCRIPTION	QTY	REV.
1	16-9000	SCHEMATIC, W/DISPLAY		0

ITEM	PART NUMBER	DESCRIPTION	QTY	REV.
1	16-9000	SCHEMATIC, W/DISPLAY		0

ITEM	PART NUMBER	DESCRIPTION	QTY	REV.
1	16-9000	SCHEMATIC, W/DISPLAY		0

ITEM	PART NUMBER	DESCRIPTION	QTY	REV.
1	16-9000	SCHEMATIC, W/DISPLAY		0

ITEM	PART NUMBER	DESCRIPTION	QTY	REV.
1	16-9000	SCHEMATIC, W/DISPLAY		0

ITEM	PART NUMBER	DESCRIPTION	QTY	REV.
1	16-9000	SCHEMATIC, W/DISPLAY		0

ITEM	PART NUMBER	DESCRIPTION	QTY	REV.
1	16-9000	SCHEMATIC, W/DISPLAY		0

ITEM	PART NUMBER	DESCRIPTION	QTY	REV.
1	16-9000	SCHEMATIC, W/DISPLAY		0

ITEM	PART NUMBER	DESCRIPTION	QTY	REV.
1	16-9000	SCHEMATIC, W/DISPLAY		0

ITEM	PART NUMBER	DESCRIPTION	QTY	REV.
1	16-9000	SCHEMATIC, W/DISPLAY		0

ITEM	PART NUMBER	DESCRIPTION	QTY	REV.
1	16-9000	SCHEMATIC, W/DISPLAY		0

ITEM	PART NUMBER	DESCRIPTION	QTY	REV.
1	16-9000	SCHEMATIC, W/DISPLAY		0

ITEM	PART NUMBER	DESCRIPTION	QTY	REV.
1	16-9000	SCHEMATIC, W/DISPLAY		0

ITEM	PART NUMBER	DESCRIPTION	QTY	REV.
1	16-9000	SCHEMATIC, W/DISPLAY		0

ITEM	PART NUMBER	DESCRIPTION	QTY	REV.
1	16-9000	SCHEMATIC, W/DISPLAY		0

ITEM	PART NUMBER	DESCRIPTION	QTY	REV.
1	16-9000	SCHEMATIC, W/DISPLAY		0

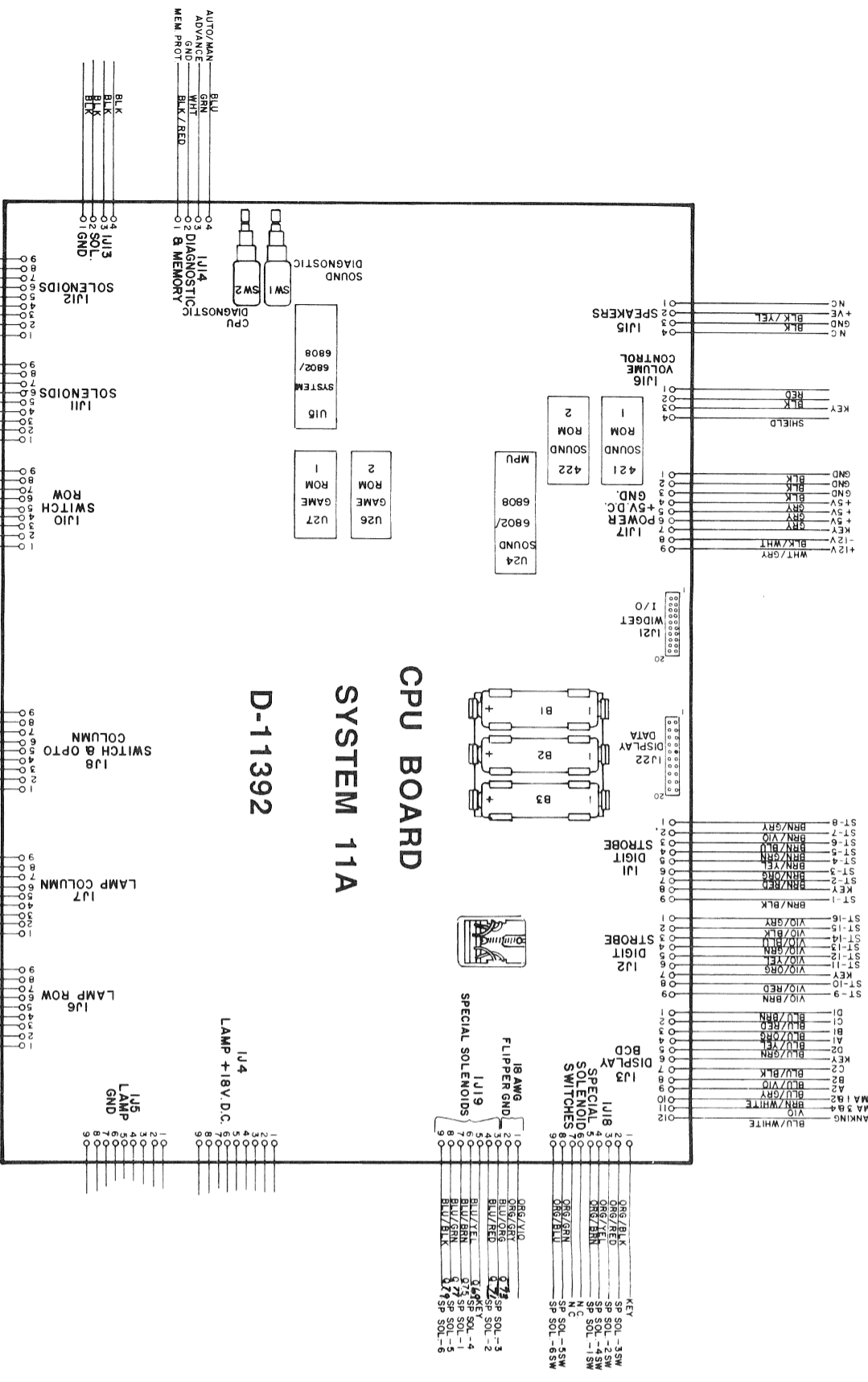
ITEM	PART NUMBER	DESCRIPTION	QTY	REV.
1	16-9000	SCHEMATIC, W/DISPLAY		0

ITEM	PART NUMBER	DESCRIPTION	QTY	REV.
1	16-9000	SCHEMATIC, W/DISPLAY		0

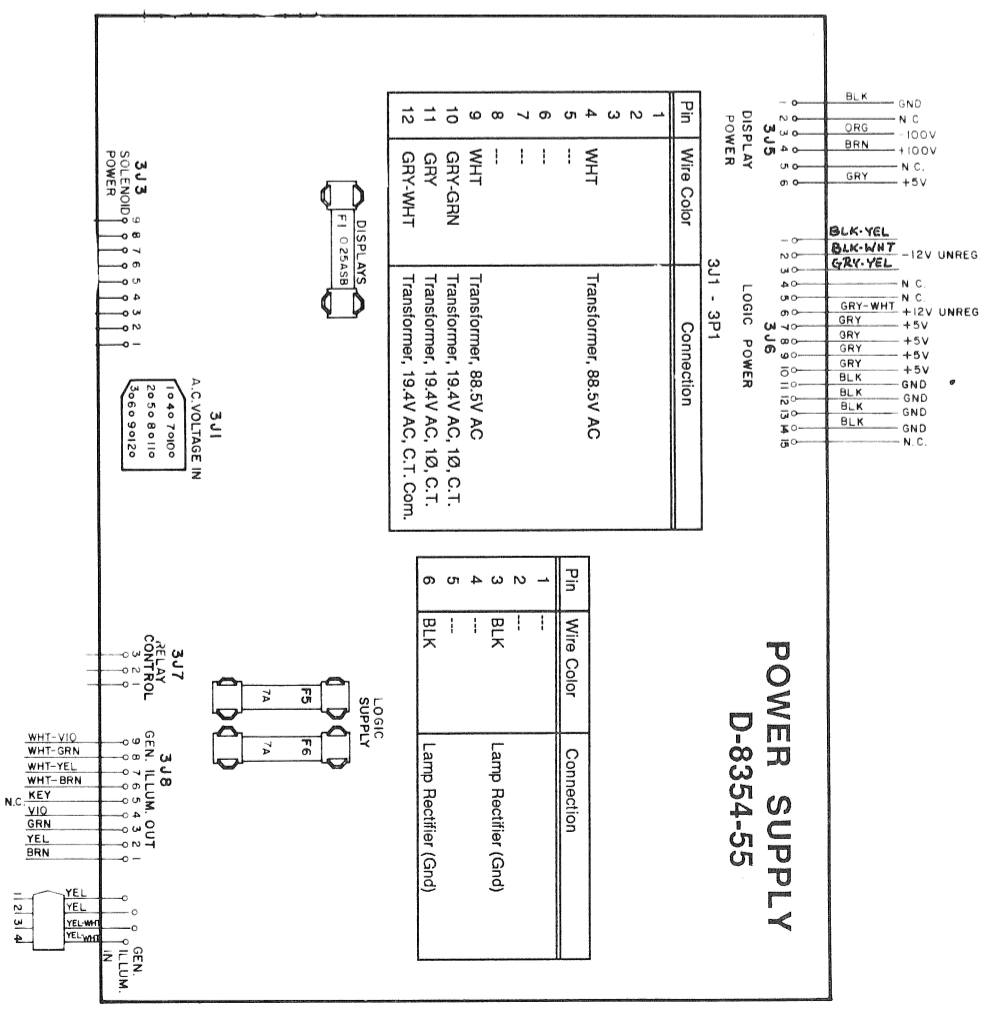
ITEM	PART NUMBER	DESCRIPTION	QTY	REV.
1	16-9000	SCHEMATIC, W/DISPLAY		0

ITEM	PART NUMBER	DESCRIPTION	QTY	REV.
1	16-9000	SCHEMATIC, W/DISPLAY		0

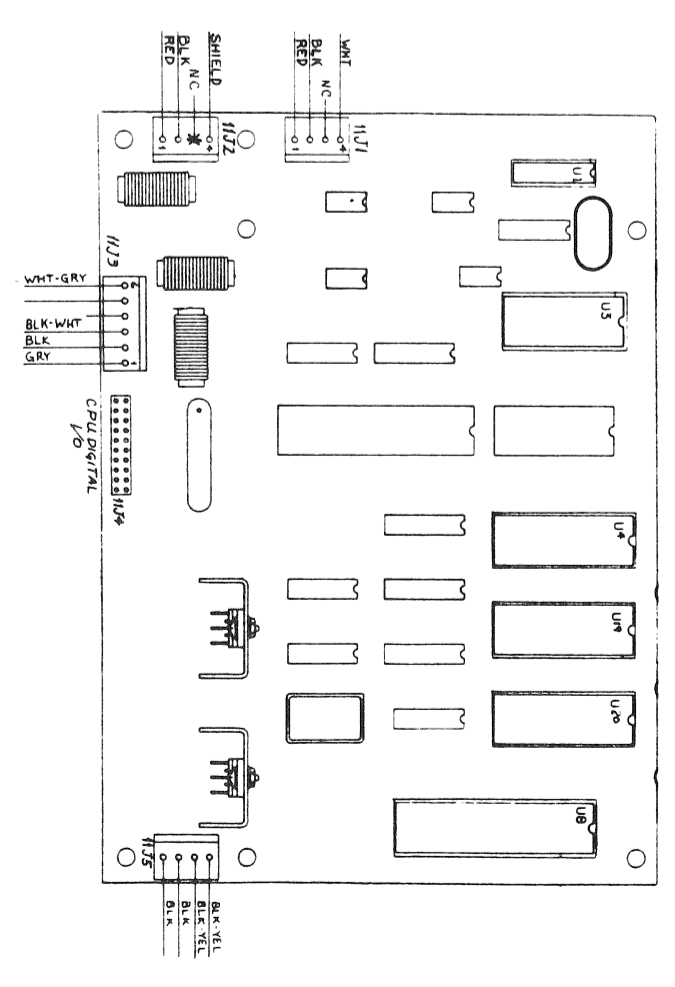
ITEM	PART NUMBER	DESCRIPTION	QTY	REV.
1	16-9000	SCHEMATIC, W/DISPLAY		0

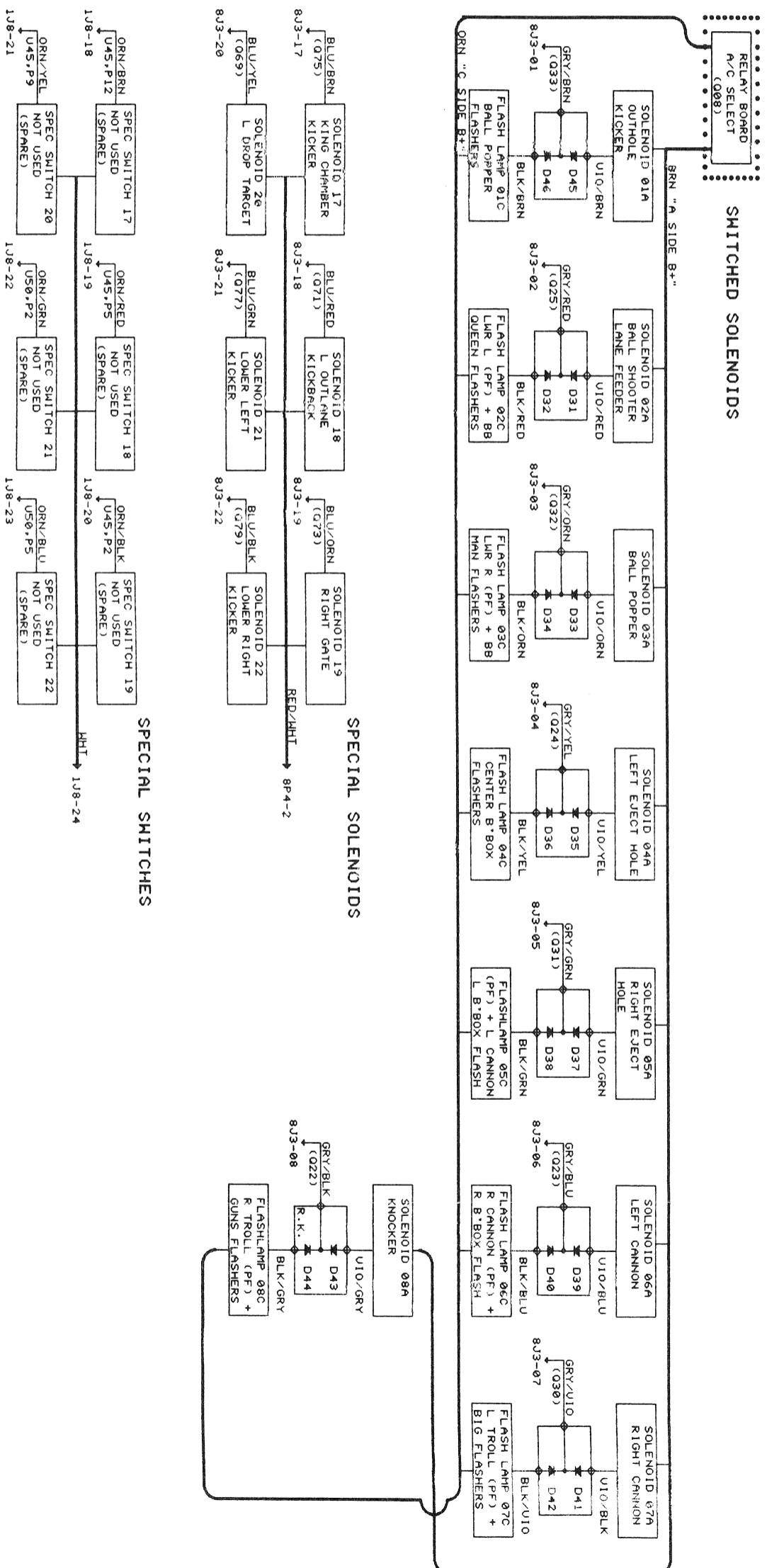
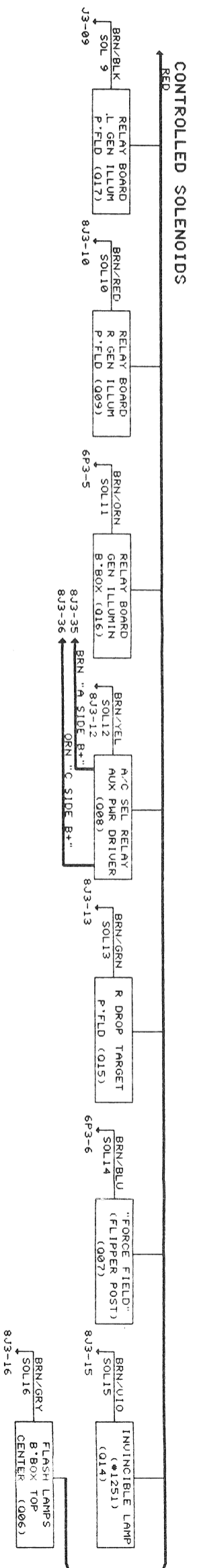


BIG GUNS 64



Interboards Signals Diagrams





Solenoids and Special Switches Control Diagram

