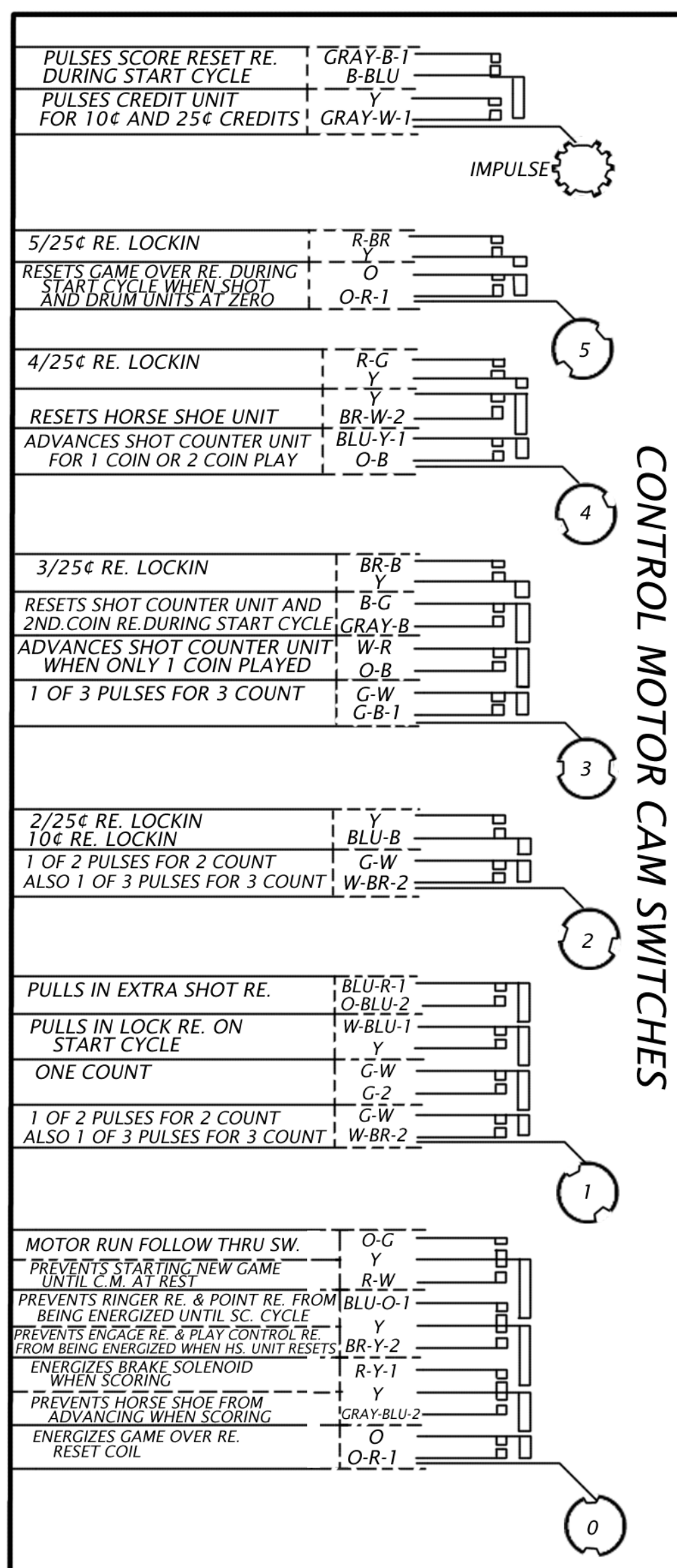
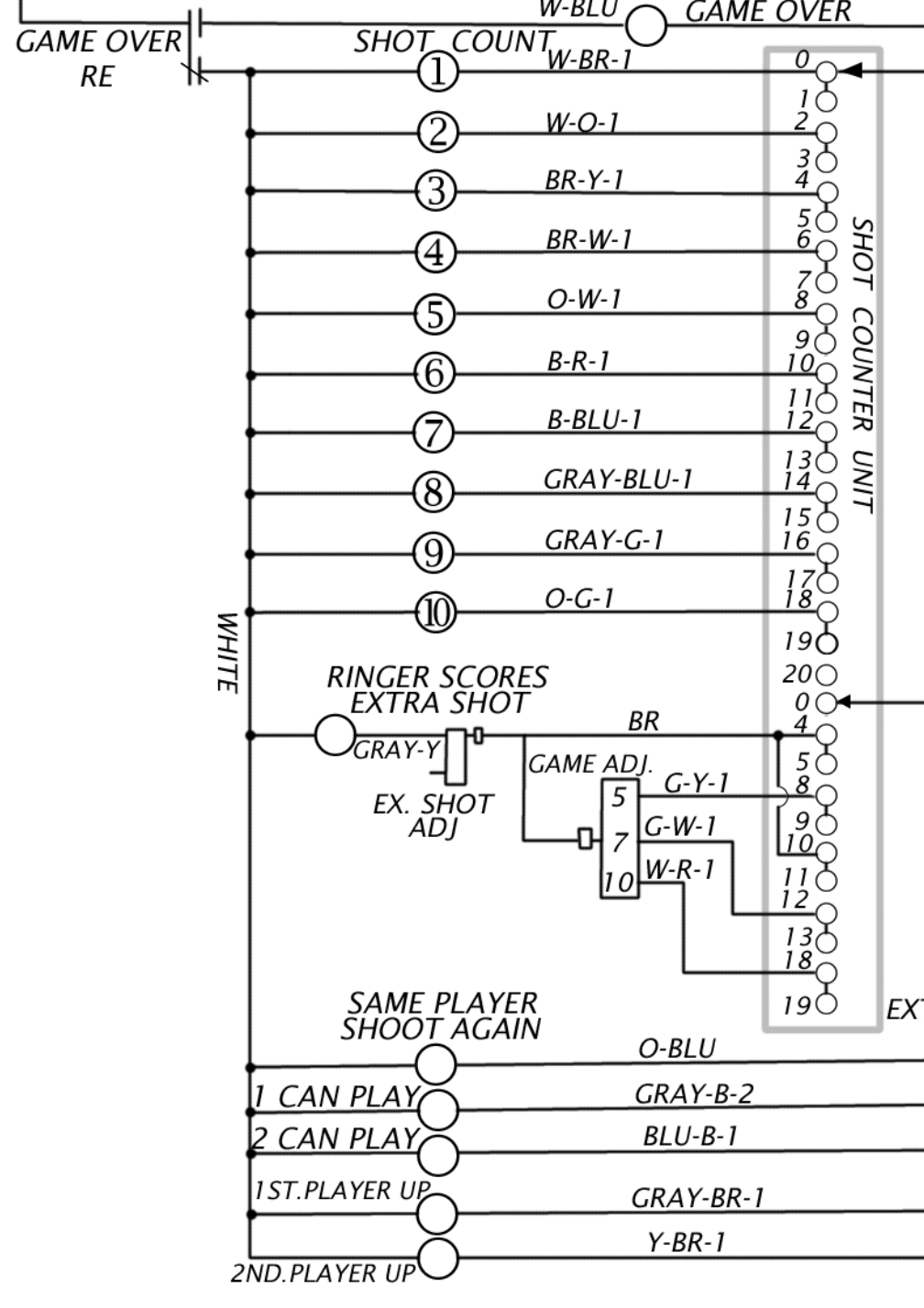
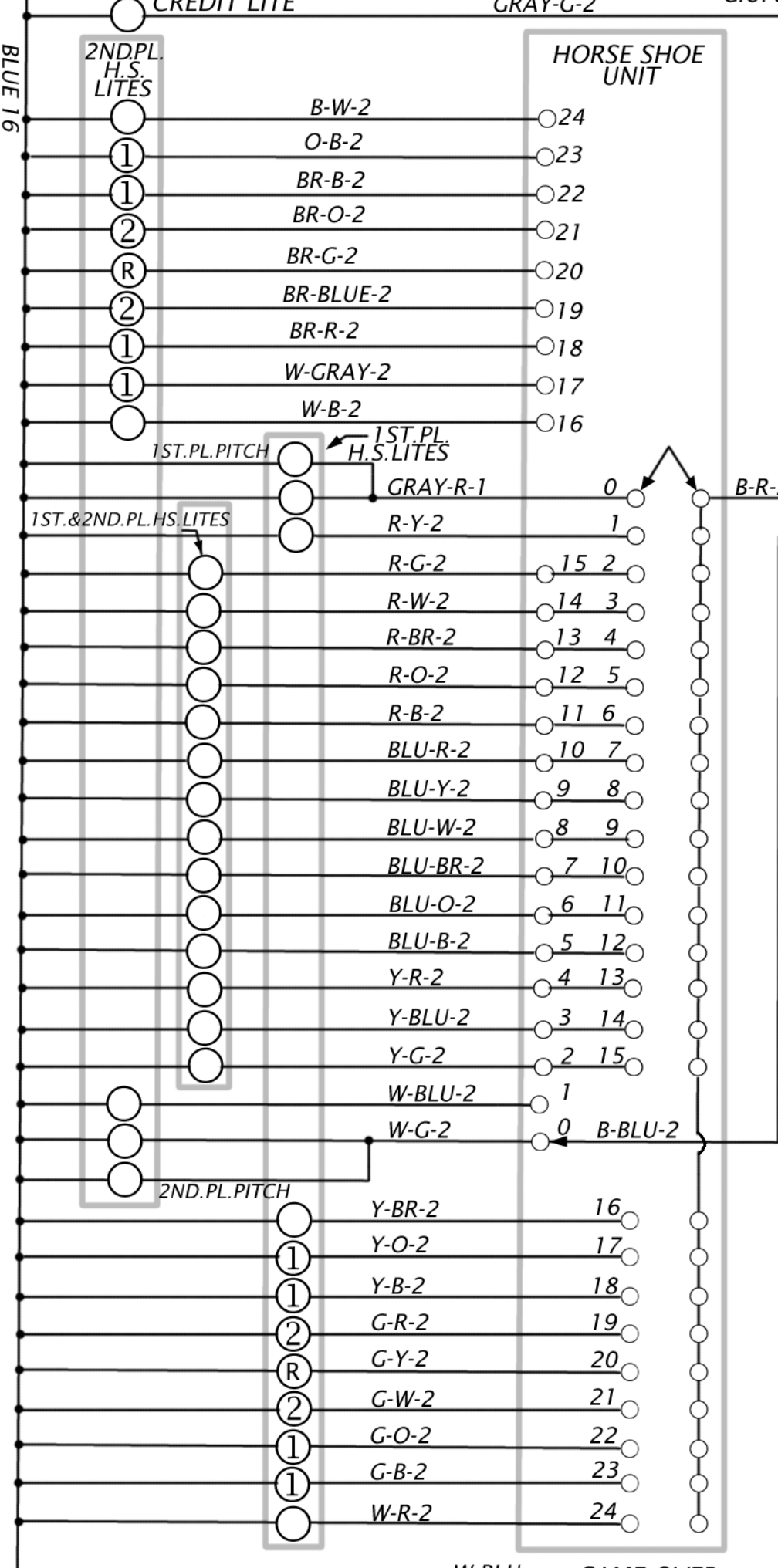


1
2
3
4
5
6
7
8
9
10
11
12
13
14
15
16
17
18



ABBREVIATIONS

ADJ	ADJUSTMENT
BK	BREAK
BM	BRAKE MOTOR
CM	CONTROL MOTOR
CU	CREDIT UNIT
DUS	DRUM UNIT
EOS	END OF STROKE
EX	EXTRA
GO	GAME OVER
HS	HORSE SHOE
IMP	IMPULSE
LST	LAST
MK	MAKE
O'BK	ZERO BREAK
PL	PLAY
PLR	PLAYER
POS	POSITION
PT	POINT
RE	RELAY
RES	RESET
SC	SCORE
SW	SWITCH

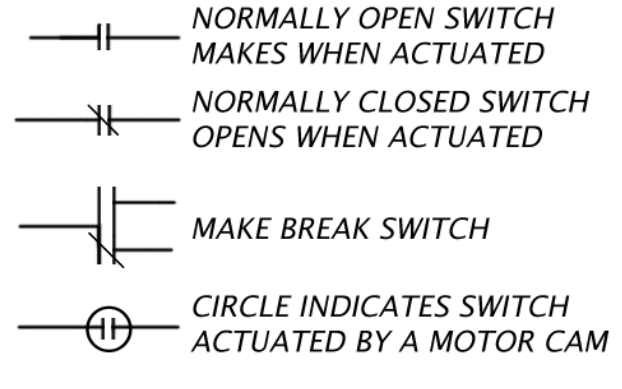
WIRE COLORS

RED	R
BLUE	BLU
YELLOW	Y
GREEN	G
WHITE	W
BROWN	BR
ORANGE	O
BLACK	B
GRAY	GRAY

COIL

COIL	PART NO.	LOCATION
BRAKE SOLENOID	A-24-975	E3
Buzzer	M-3-30-1400	F14
CHIME	C-2-26-800	F8
COIN LOCKOUT	MI-31-1500	F6
COIN RELAY	Z-27-1000	F5
CREDIT UNIT STEPUP	A-23-600	F9
CREDIT UNIT RESET	B-26-800	F4
CUT OFF RELAY	Z-28-1150	F13
ENGAGE SOLENOID	A-29-2800	E3
ENGAGE RELAY	Z-28-1150	F13
EXTRA SHOT RELAY	Z-28-1150	F11
1ST. 10 POINT DRUM UNIT	B-26-800	F8
1ST. 10 POINT DRUM UNIT	B-26-800	F8
GAME OVER RELAY TRIP	Z-28-1150	F4
GAME OVER RELAY TRIP	M-29-1000	F12
HORSE SHOE RELAY	M-29-1000	F12
HORSE SHOE UNIT RESET	B-26-800	F7
HORSE SHOE UNIT STEP UP	A-22-550	F15
KNOCKER	A-2-23-750	F5
LOCK RELAY	Z-28-1150	F7
PLAY CONTROL RELAY	Z-28-1150	F13
PLAYER RELAY	Z-28-1150	F12
POINT RELAY	M-29-1100	F14
RINGER RELAY	Z-28-1150	F14
SCORE RESET RELAY	M-29-1000	F6
2ND. COIN RELAY RESET	Z-27-1000	F7
2ND. COIN RELAY TRIP	M-29-1000	F4
2ND. 10 POINT DRUM UNIT	B-26-800	F8
2ND. 10 POINT DRUM UNIT	B-26-800	F8
SHOT COUNT UNIT RESET	B-26-800	F6
SHOT COUNT UNIT STEP UP	A-22-550	F7
START RELAY	Z-27-1000	F6
10¢ RELAY	M-29-1100	F5
TIMER	M-36-5500	E3
TOTAL PLAY METER	XM-27-675	F4
25¢ RELAY	M-29-1100	F5

TRANSFORMER 60~ 15A-6771
TRANSFORMER 50~ 15A-6782-1
CONTROL MOTOR 60~ 14A-7805
CONTROL MOTOR 50~ 14A-7806



CIRCUIT SHOWN IN SETUP CONDITION WITH POWER REMOVED.
 MOTORS IN ZERO POSITION.
 INTERLOCK RELAYS IN RESET POSITION.