

ABREVIATIONS USED
 GEN ILL. = GENERAL ILLUMINATION
 RET. = RETURN
 GND = GROUND
 REG = REGULATED
 Z.C. = ZERO CROSSING

POWER LINE CONNECTIONS		
A C LINE VOLTAGE	STRAP TERMINALS	APPLY POWER TO TERMINALS
115	1 TO 3 AND 9 TO 11	1 AND 9
120	1 TO 3 AND 5 TO 7	1 AND 5
220	3 TO 5	1 AND 12
240	3 TO 5	1 AND 7

ISSUE	CHANGE	DATE
1	11P-DATED	1-78

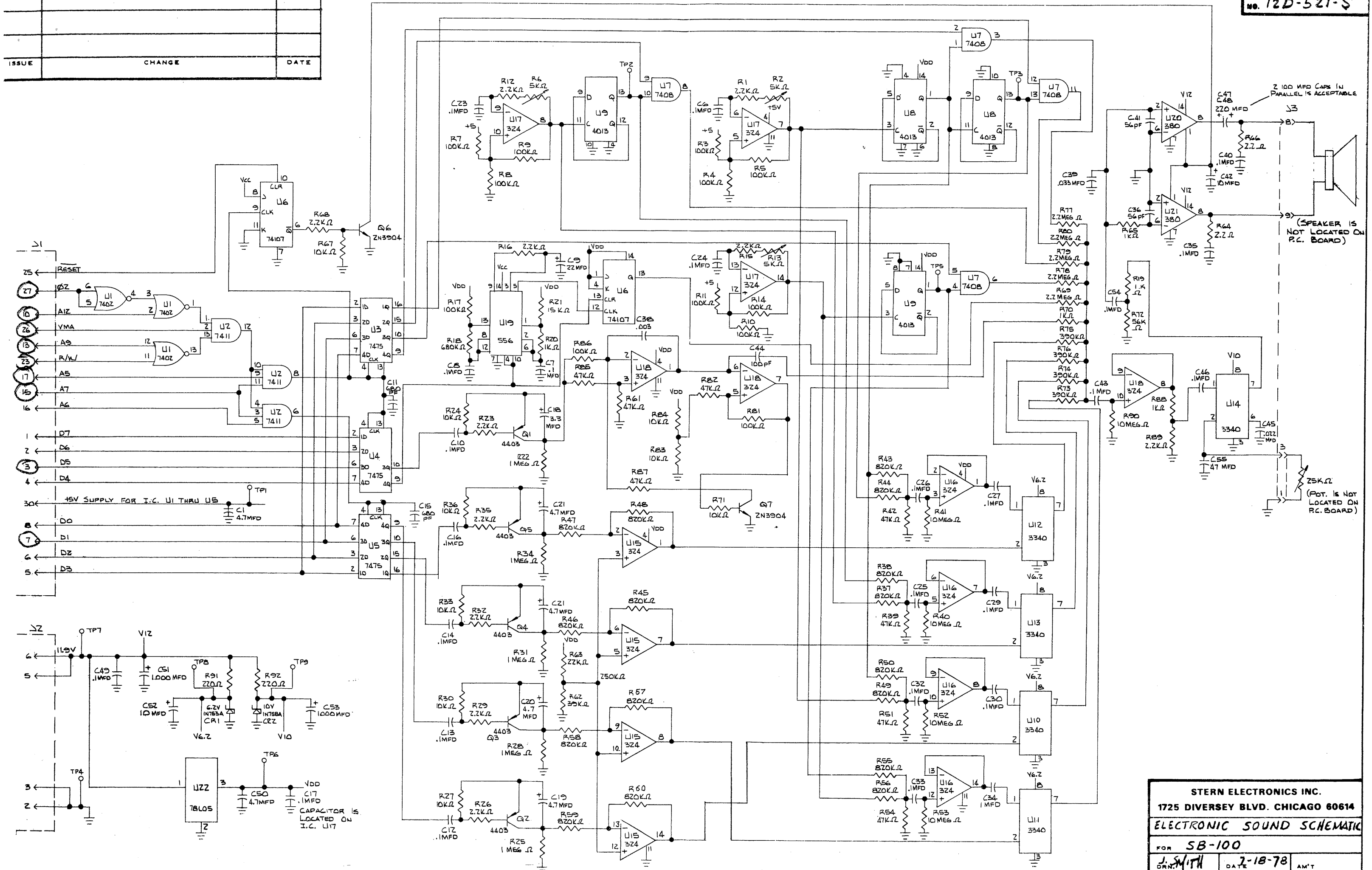
SCALE: *as* PART MUST BE FREE OF BURRS
 Unless otherwise specified, all fractional dimensions carry tolerances of plus and minus .010; All decimal dimensions plus and minus .005. Exceptions: Drilled holes plus .003 minus .001. Die casting fractional plus and minus .005; Decimal plus and minus .003. Decimal dimensions on tools plus and minus .001. Angles ± 30° unless otherwise specified.

STERN ELECTRONICS INC.
 1725 DIVERSEY BLVD. CHICAGO 60614

POWER TRANSFORMER MODULE SCHEMATIC

DRN. J. J.	DATE 9-20-77	AM'T
MAT <i>LAG</i>	FIN. <i>LAG</i>	APPR.

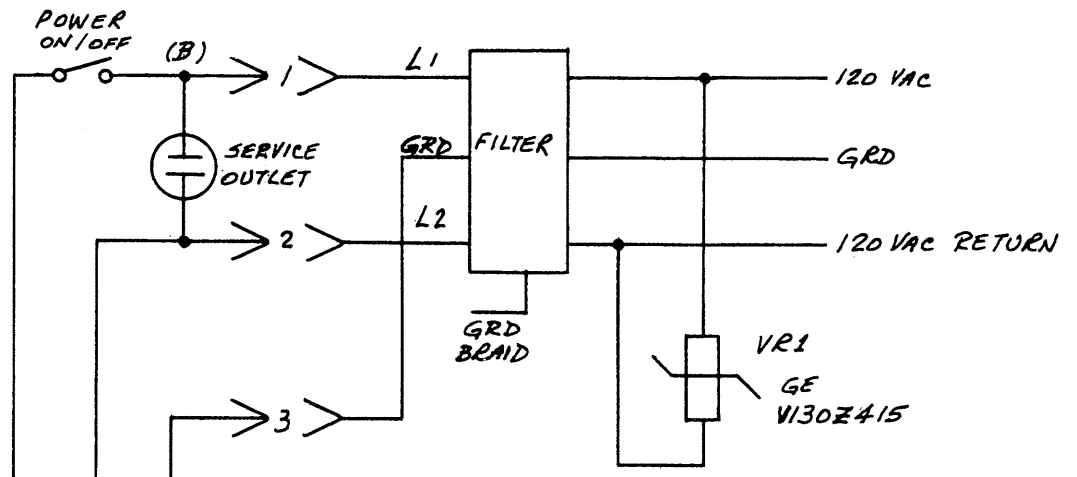
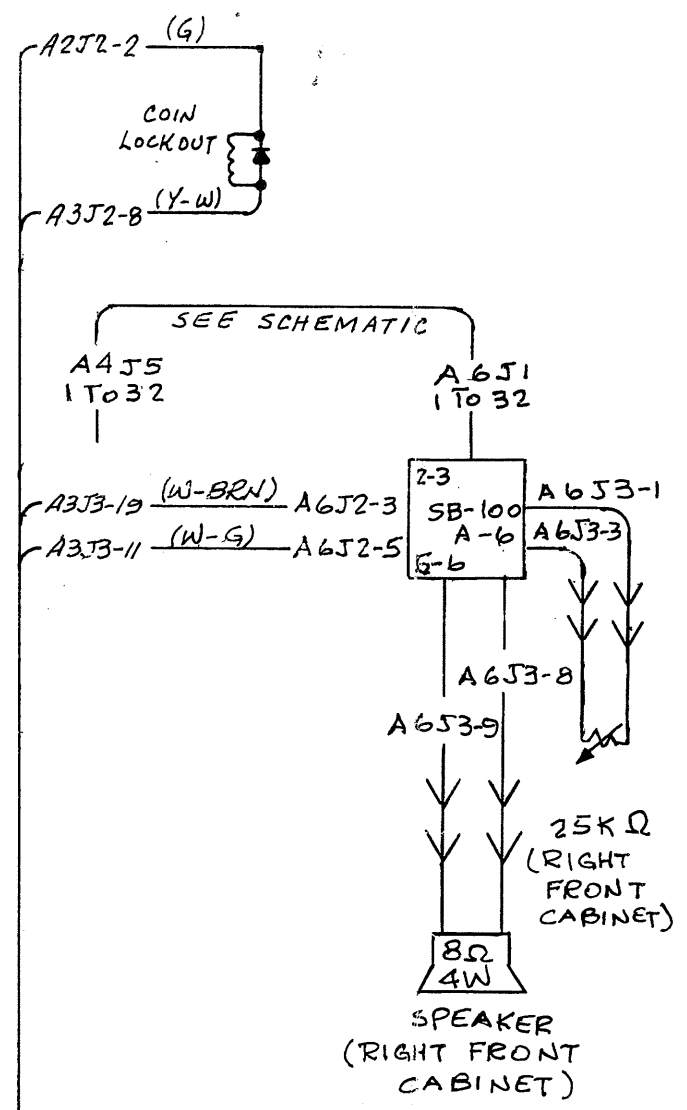
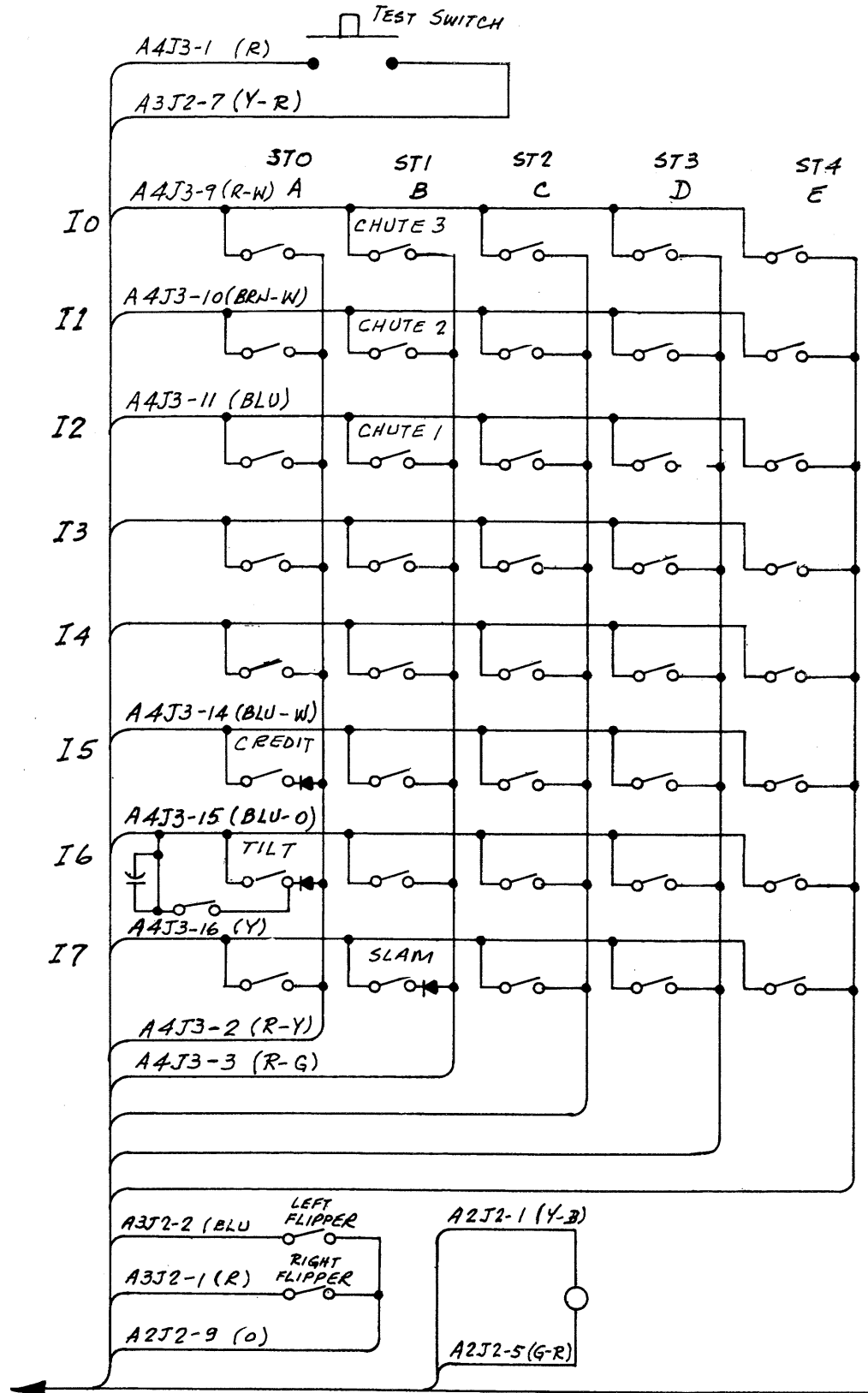
ISSUE	CHANGE	DATE



(SPEAKER IS NOT LOCATED ON P.C. BOARD)

(POT. IS NOT LOCATED ON P.C. BOARD)

STERN ELECTRONICS INC.
 1725 DIVERSEY BLVD. CHICAGO 60614
ELECTRONIC SOUND SCHEMATIC
 FOR SB-100
 J. SMITH ORN. DATE 7-18-78 AM'T



FRONT DOOR JACK

JACK PIN NO.	FROM
1	A4J3-9
2	A4J3-10
3	A4J3-11
4	A4J3-12
5	A4J3-13
6	A4J3-14
7	A4J3-15
8	A4J3-16
10	A4J3-2
11	A4J3-3
15	A2J2-2
16	A3J2-8
17	A2J2-1
18	A2J2-5
19	A4J3-1
20	A3J2-7

A2J2-6 (Y)
A2J2-7 (W)
A2J2-10 (G)

N/U = NOT USED
ALL DIODES ARE IN-4004

ISSUE	CHANGE	DATE

SCALE:

PART MUST BE FREE OF BURRS

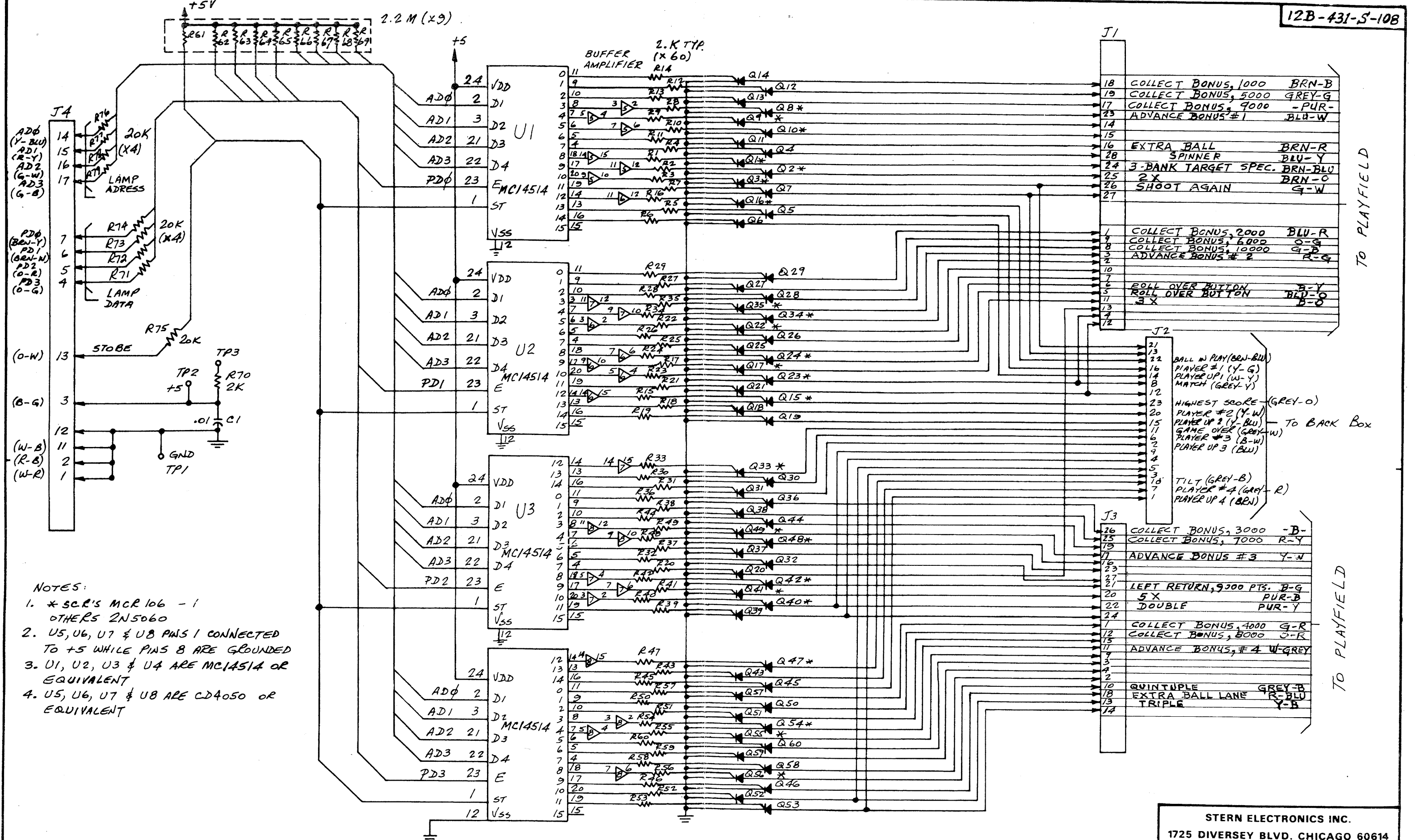
Unless otherwise specified, all fractional dimensions carry tolerances of plus and minus .010; All decimal dimensions plus and minus .005. Exceptions: Drilled holes plus .003 minus .001. Die casting fractional plus and minus .005; Decimal plus and minus .003. Decimal dimensions on tools plus and minus .001. Angles ±30° unless otherwise specified.

STERN ELECTRONICS INC.
1725 DIVERSEY BLVD. CHICAGO 60614

CABINET AND FRONT DOOR WIRING

FOR **GENERAL**

DRN. J.J.	DATE	AM'T
MAT	FIN.	APPR.



- NOTES:
- * SCR'S MCR 106 - 1
OTHERS 2N5060
 - U5, U6, U7 & U8 PINS 1 CONNECTED TO +5 WHILE PINS 8 ARE GROUND
 - U1, U2, U3 & U4 ARE MC14514 OR EQUIVALENT
 - U5, U6, U7 & U8 ARE CD4050 OR EQUIVALENT

18	COLLECT BONUS, 1000	BRN-B
19	COLLECT BONUS, 5000	GREY-G
17	COLLECT BONUS, 9000	-PUR-
23	ADVANCE BONUS #1	BLU-W
15		
16	EXTRA BALL	BRN-R
28	SPINNER	BLU-Y
24	3-BANK TARGET SPEC.	BRN-BLU
25	2X	BRN-O
26	SHOOT AGAIN	G-W
27		
1	COLLECT BONUS, 2000	BLU-R
9	COLLECT BONUS, 6000	O-G
8	COLLECT BONUS, 10000	G-B
2	ADVANCE BONUS #2	R-G
10		
7		
6	ROLL OVER BUTTON	B-Y
5	ROLL OVER BUTTON	BLU-O
13	3X	B-O
12		
21	BALL IN PLAY (BRN-BLU)	
13	PLAYER #1 (Y-G)	
16	PLAYER UP1 (W-Y)	
14	MATCH (GREY-Y)	
12		
23	HIGHEST SCORE (GREY-O)	
20	PLAYER #2 (Y-W)	
15	PLAYER UP 2 (W-BLU)	
11	GAME OVER (GREY-W)	
6	PLAYER #3 (B-W)	
2	PLAYER UP 3 (BLU)	
4		
5		
10		
3	10	
7		
1	TILT (GREY-B)	
10	PLAYER #4 (GREY-R)	
7	PLAYER UP 4 (BRN)	
1		
26	COLLECT BONUS, 3000	-B-
25	COLLECT BONUS, 7000	R-Y
19		
17	ADVANCE BONUS #3	Y-W
16		
23		
27		
21	LEFT RETURN, 9000 PTS.	B-G
20	5X	PUR-B
22	DOUBLE	PUR-Y
24		
7	COLLECT BONUS, 4000	G-R
12	COLLECT BONUS, 8000	O-R
15		
17	ADVANCE BONUS, #4	W-GREY
3		
4		
2		
10	QUINTUPLE	GREY-B
18	EXTRA BALL LANE	R-BLU
13	TRIPLE	Y-B
14		

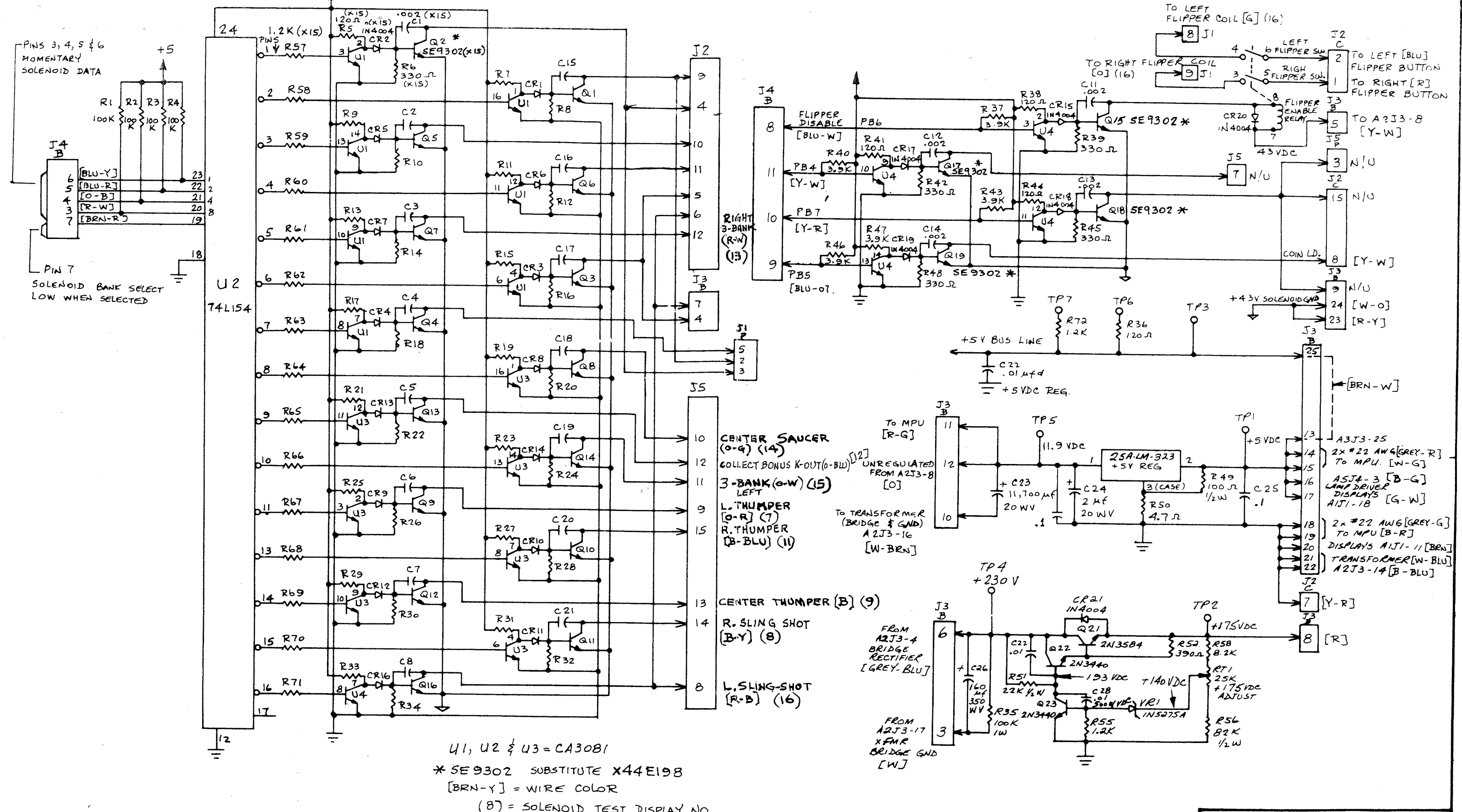
TO PLAYFIELD

TO PLAYFIELD

STERN ELECTRONICS INC.
1725 DIVERSEY BLVD. CHICAGO 60614

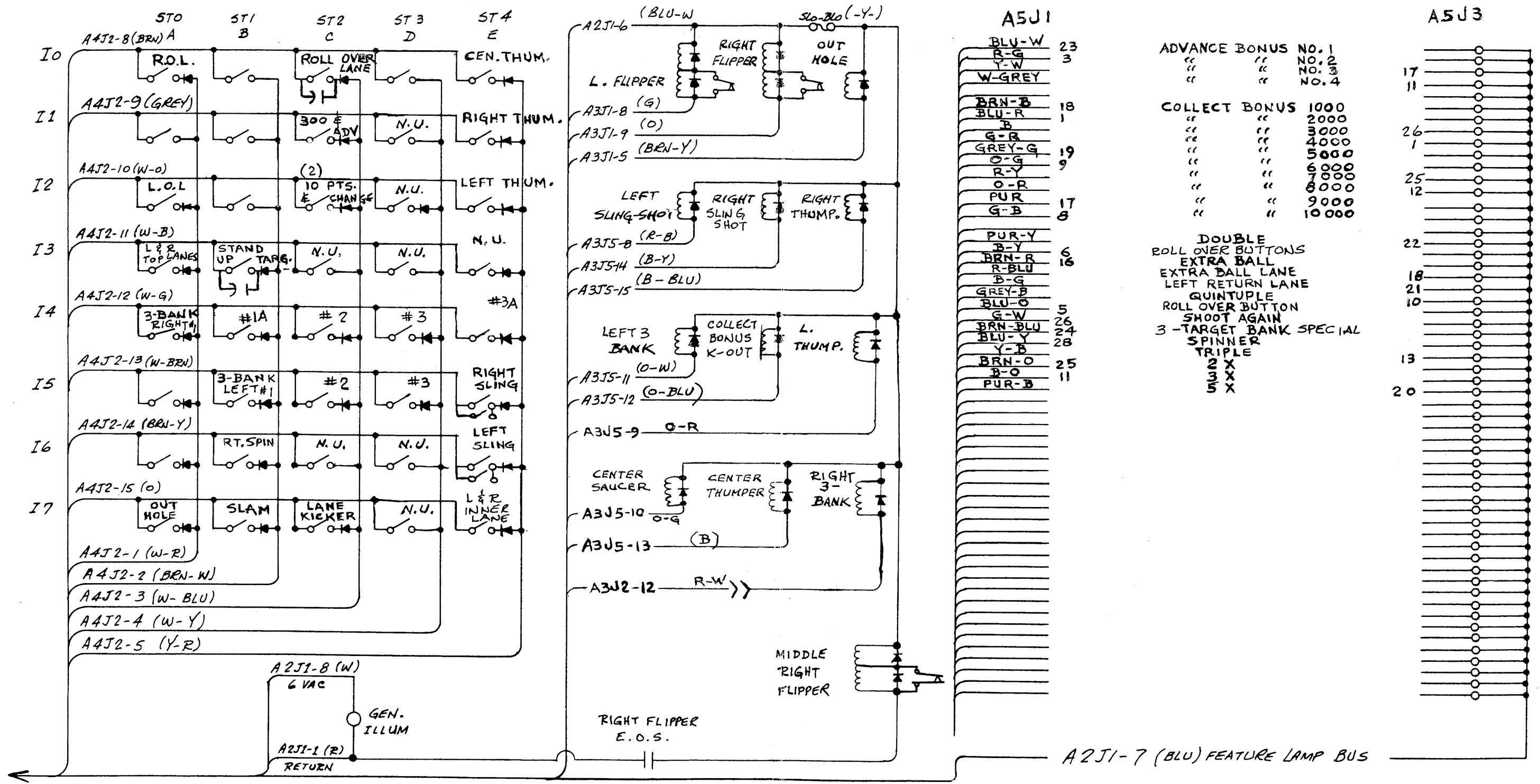
LAMP DRIVER SCHEMATIC
FOR NUGENT SOLID STATE

DRN. C.W.	DATE	AMT. C.H.
REV. C.H.	REV. C.H.	REV. C.H.



U1, U2 & U3 = CA3081
 * SE9302 SUBSTITUTE X44E198
 [BRN-Y] = WIRE COLOR
 (8) = SOLENOID TEST DISPLAY NO.

STERN ELECTRONICS INC.		
1725 DIVERSEY BLVD. CHICAGO 60614		
SOLENOID DRIVER VOLTAGE REGULATOR SCHEMATIC		
FOR NUGENT SOLID STATE		
DRN. J.J.	DATE	AM'T



ADVANCE BONUS	NO. 1	2000
"	NO. 2	3000
"	NO. 3	4000
"	NO. 4	5000
COLLECT BONUS	1000	6000
"	2000	7000
"	3000	8000
"	4000	9000
"	5000	10000

- DOUBLE ROLL OVER BUTTONS
- EXTRA BALL
- EXTRA BALL LANE
- LEFT RETURN LANE
- QUINTUPLE
- ROLL OVER BUTTON
- SHOOT AGAIN
- 3-TARGET BANK SPECIAL
- SPINNER
- TRIPLE
- 2 X
- 3 X
- 5 X

PLAYFIELD

N/U = NOT USED
 ALL DIODES ARE IN-4004
 ALL CAPS. ARE .05 MF 100 V. DISC

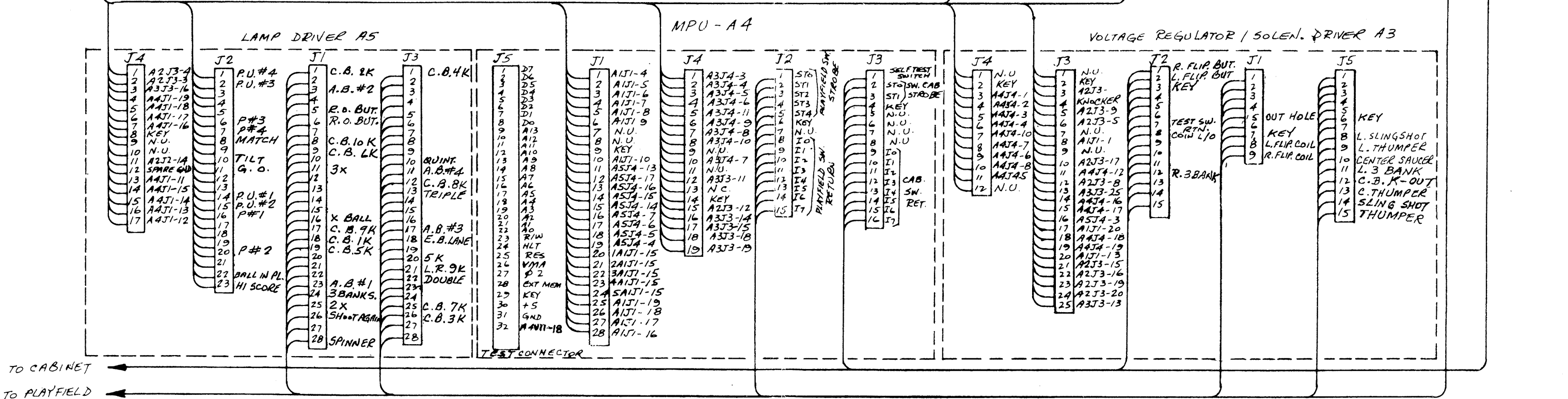
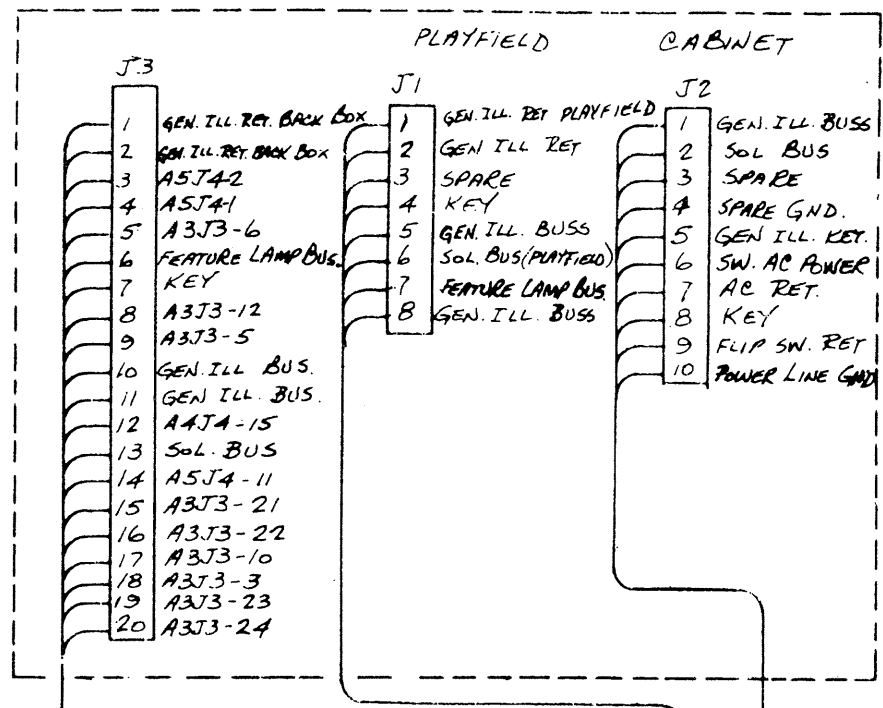
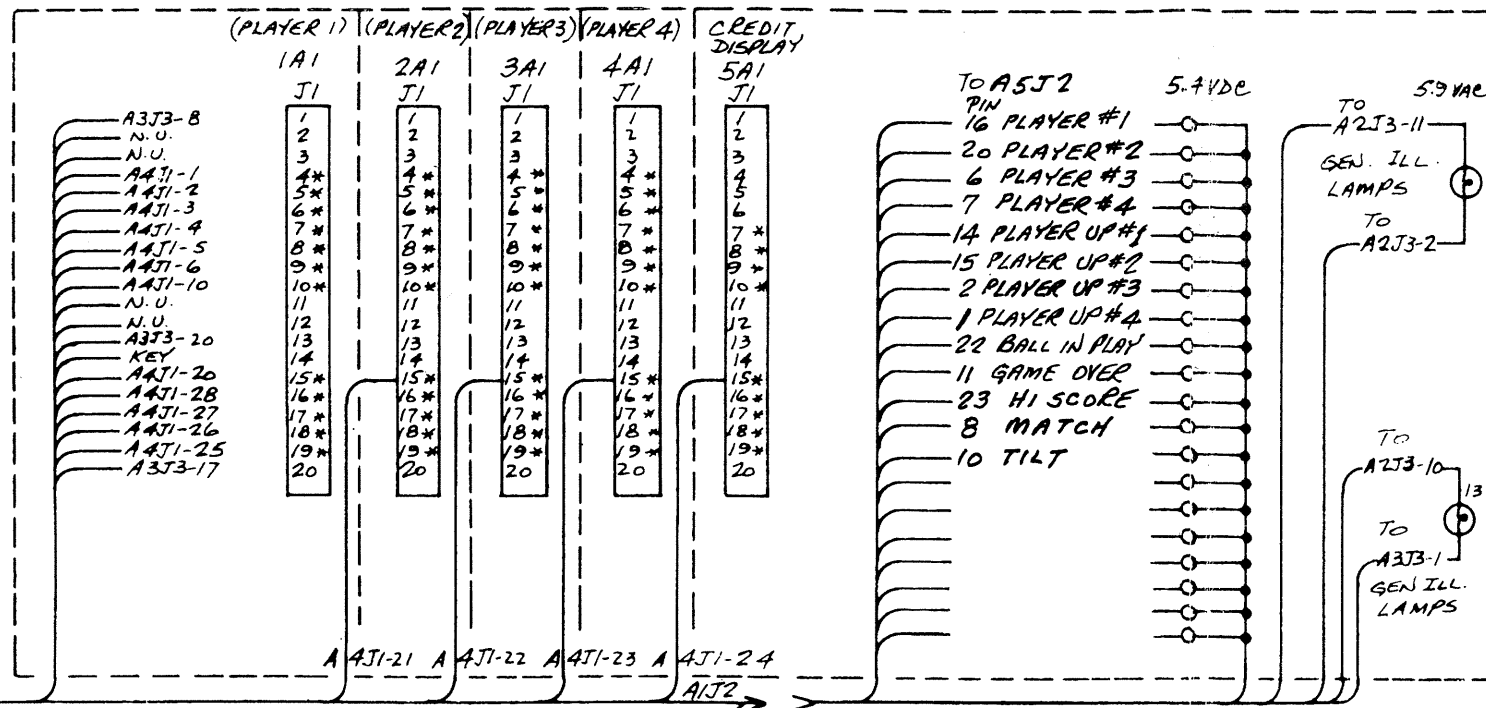
12B-247-2

STERN ELECTRONICS INC.		
1725 DIVERSEY BLVD. CHICAGO 60614		
WIRING DIAGRAM		
FOR NUGENT		
DRN. J.J.	DATE	AM'T
MAT	FIN.	APPR.

A1 INSERT

A2 TRANSFORMER

FROM	A1 J2 PIN
A2J3-6	1
ASJ2-1A	2
A2J3-2	3
A2J3-11	4
ASJ2-23	5
ASJ2-15	6
ASJ2-22	7
ASJ2-8	8
ASJ2-1	9
ASJ2-2	10
ASJ2-11	11
	12
ASJ2-10	13
ASJ2-7	14
ASJ2-6	15
ASJ2-20	16
ASJ2-16	17
A2J3-10	18
A2J3-1	19
	20
	21
	22
	23



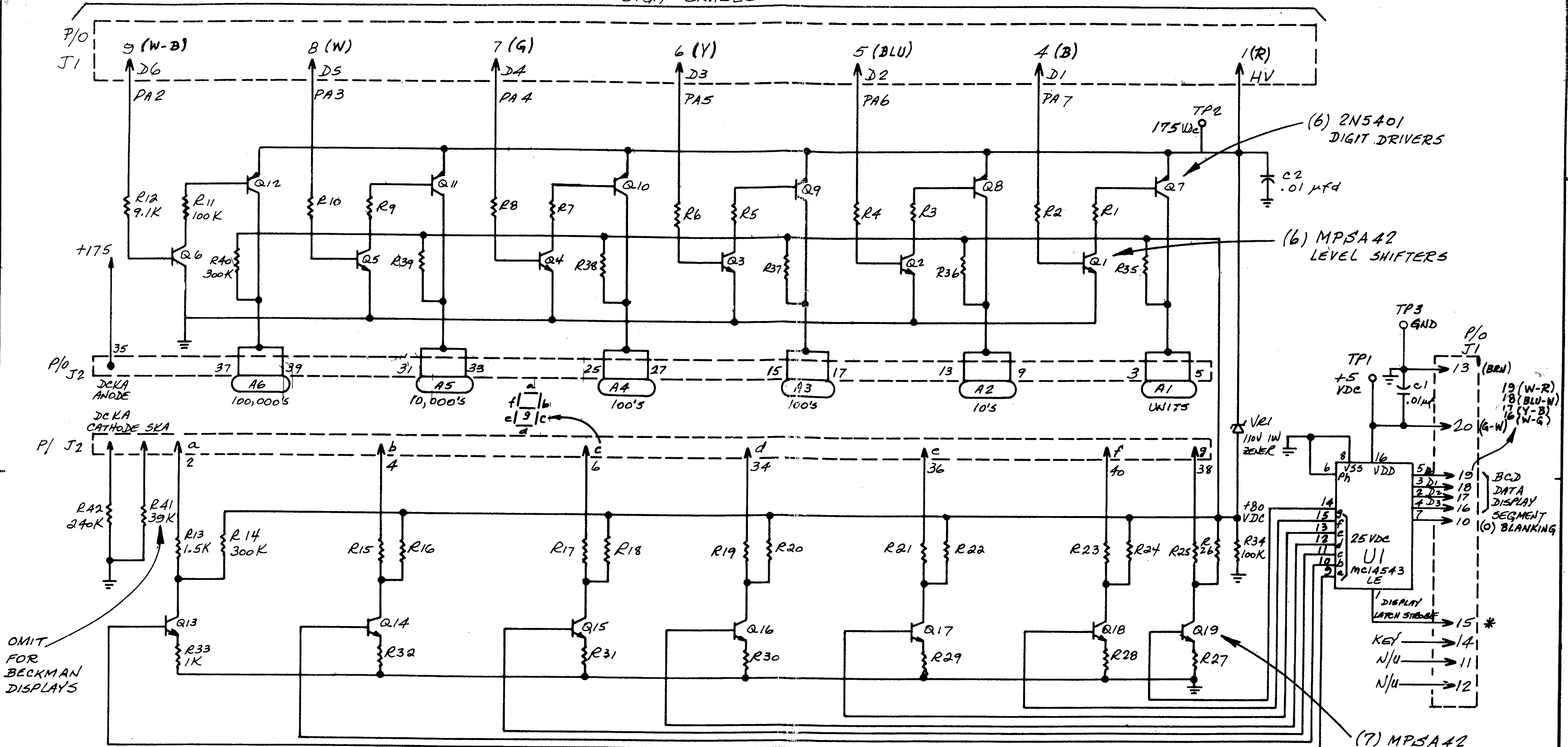
SEE INDIVIDUAL SCHEMATIC DRAWINGS FOR WIRE COLORS.

P = PLAYER
 P.U. = PLAYER UP
 C.B. = COLLECT BONUS
 A.B. = ADVANCE BONUS

12B-247-1

STERN ELECTRONICS INC.
 1725 DIVERSEY BLVD. CHICAGO 60614
 WIRING DIAGRAM
 FOR NUGENT
 DRN. J.J. DATE AMT
 LAD LAD

DISPLAY DIGIT ENABLE



*
PIN 15 WIRE COLOR
1ST. PLAYER B-W
2ND. PLAYER O-BLU
3RD. PLAYER R-Y
4TH. PLAYER BRN-O
MATCH/BALL R-B

STERN ELECTRONICS INC.
1725 DIVERSEY BLVD. CHICAGO 60614
DISPLAY BOARD SCHEMATIC
MEMORY LANE SOLID STATE
FOR

DRN. J.J.	DATE 9-20-77	AM'T
-----------	--------------	------

ISSUE	DATE	CHANGE
1	UPDATED	

SCALE: L_{17} PART MUST BE FREE OF BURRS

Unless otherwise specified, all fractional dimensions carry tolerances of plus and minus .010; All decimal dimensions plus and minus .005. Exceptions: Drilled holes plus .003 minus .001. Die casting fractional plus and minus .005; Decimal plus and minus .003. Decimal dimensions on tools plus and minus .001. Angles $\pm 30'$ unless otherwise specified.