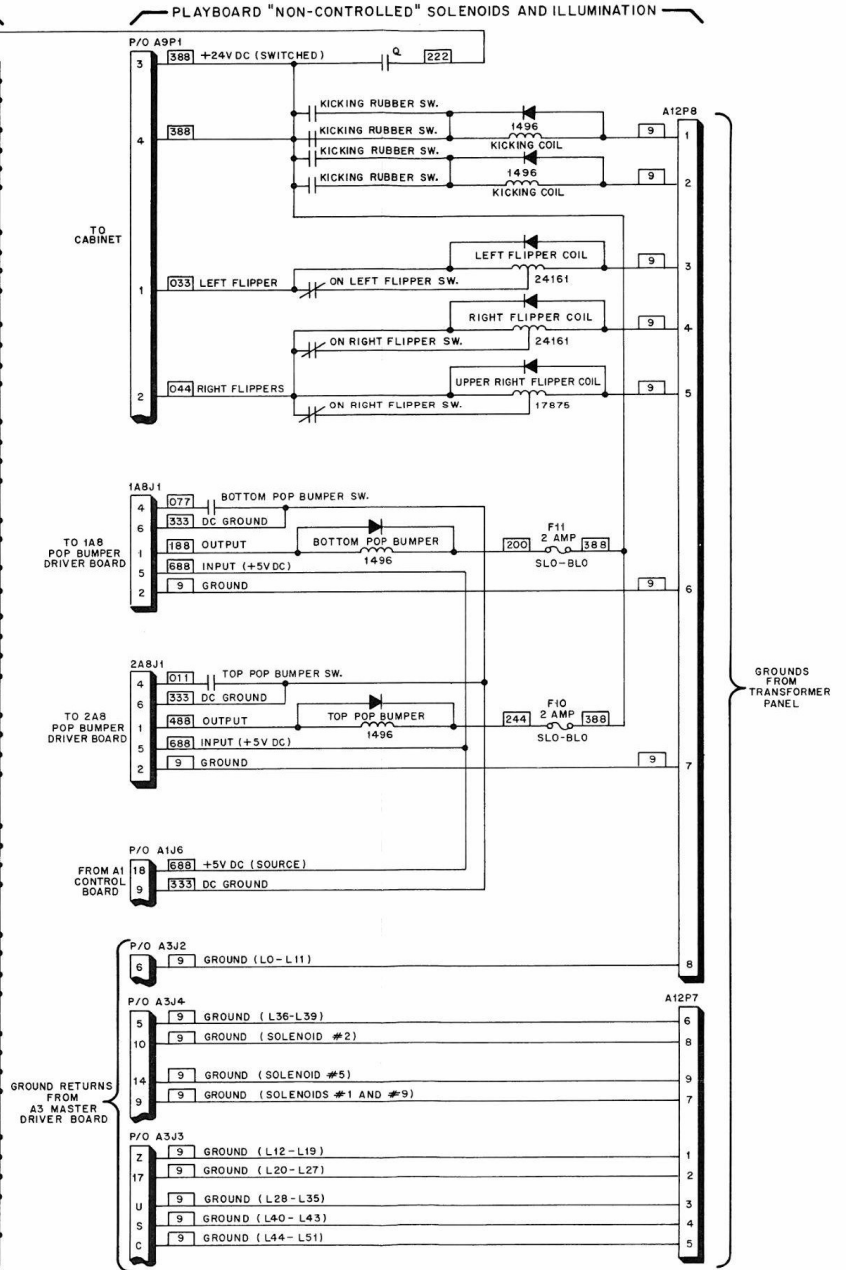
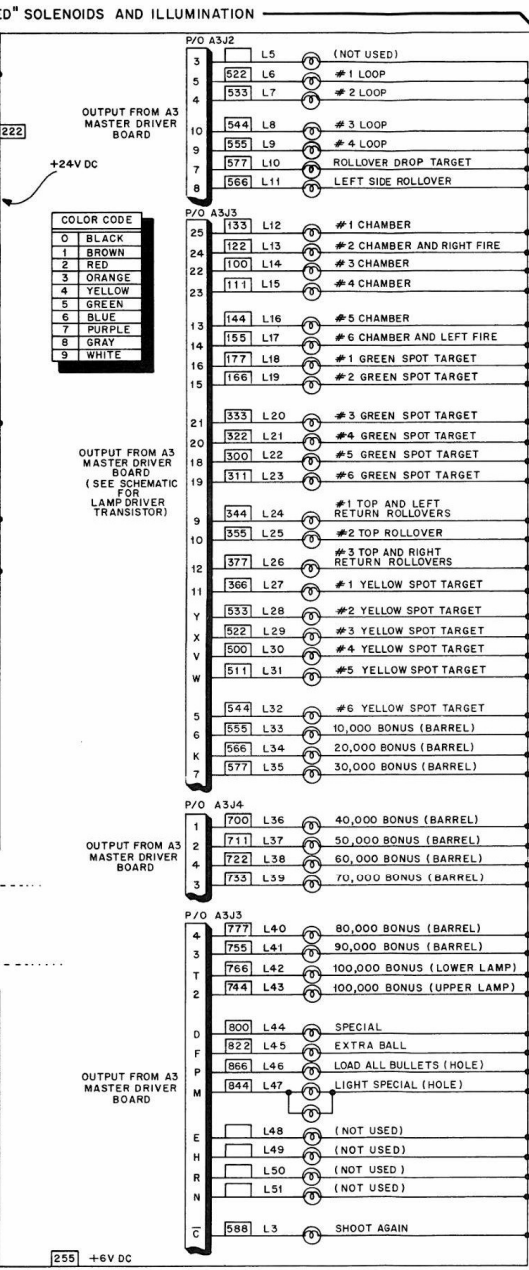
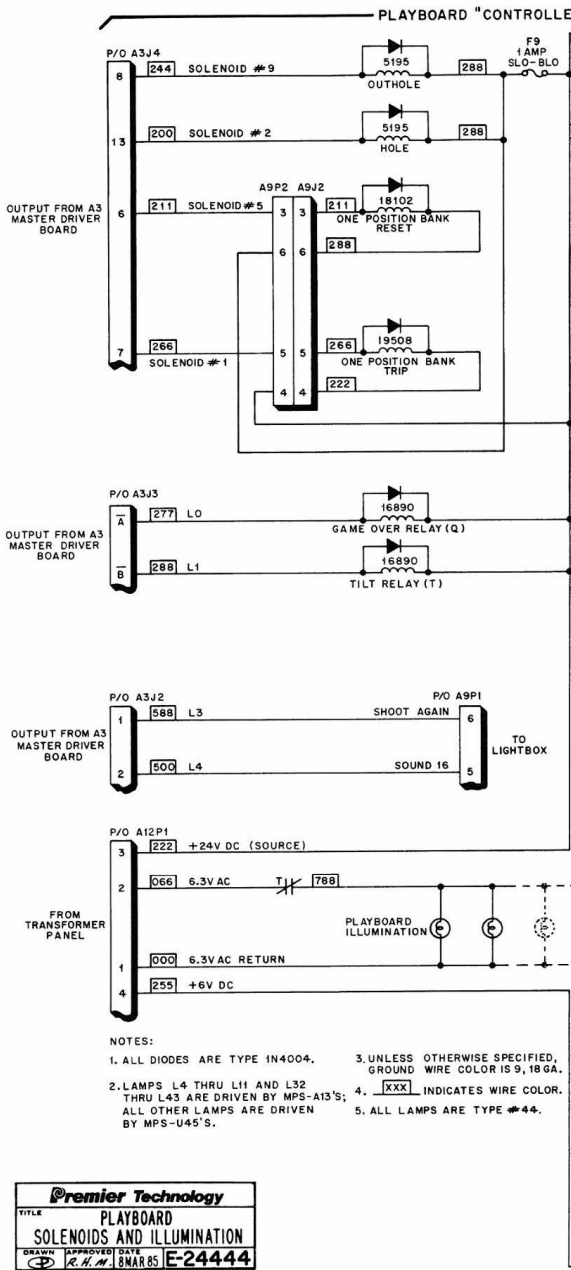


X. WIRING AND SCHEMATIC DIAGRAMS, PARTS LISTS



Premier Technology

TITLE: **PLAYBOARD SOLENOIDS AND ILLUMINATION**

DRAWN: *[Signature]* DATE: **18 MAR 85** E-24444