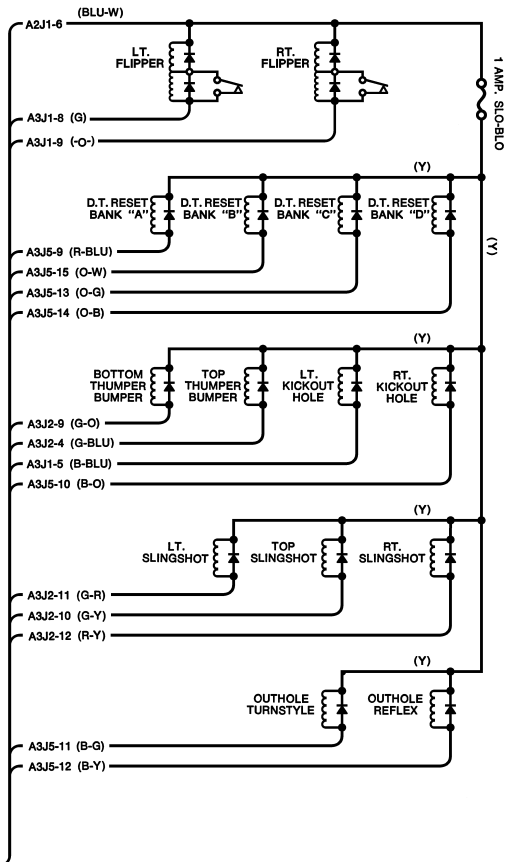


R.O.W.=ROLL OVER WIRE  
 S.U.=STAND-UP TARGET  
 D.T.=DROP TARGET



1 AMP. SLO-BLO

(Y)

(Y)

(Y)

(Y)