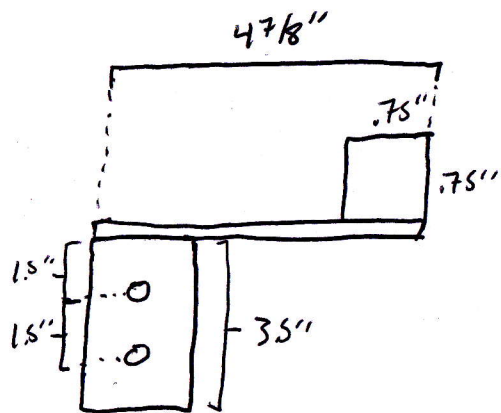
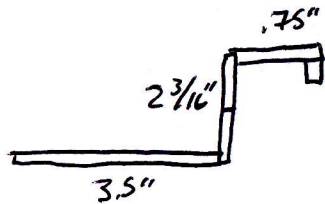


Metal
Thickness = $\frac{1}{16}$ "

TOP



SIDE



FRONT

