

Lethal Weapon Addendum

July 2, 1992

The following additions or revisions occurred in Lethal Weapon 3 after the manual was published:

Text Changes

Page 19

E Ad 33 Custom Message - When desired, this function is used to establish a custom message periodically displayed during the attract mode. Set the feature to **CHANGE** using the Credit button and depress **STEP**. An icon appears on the right side of the display. Use the left or right flipper buttons to choose the graphics icon you wish displayed with your message and press the **CREDIT** button to select it. The letter **A** is then indicated in the first position on the left of the display. Vary the letter by operating the left and right flippers. With the desired letter indicated, depress the **CREDIT** button to lock in the letter and advance to the next display character. Repeat this procedure until the desired message is indicated in the display. At this time, depress the **STEP** push-button switch to advance to E Ad 34.

Page 23

The display is made up of 32 X 128 Dots not 32 X 64 Dots.

Parts Changes

Page 30

Item 2 - Flipper button should be Part # 500-5026-32.

Item 35 - USA Coin door should be Part # 500-5018-17.

Page 32

Item 14 - Spinning Light Assembly should be Part # 500-5365-01.

Page 35

Fiber Link 545-5062-00 on the Ball Eject Assembly is a Nylon Link.

Page 36

The flipper spring and spring bracket have been changed to permit substitution with similar parts from other manufacturers. The Left Flipper Assembly becomes 500-5606-74 and the Right Flipper Assembly becomes 500-5606-73. See the attached sheet for a visual breakdown.

Item 5 - Spring Part # 265-5030-00.

Item 6 - Spring bracket Part # 535-6469-00.

Item 27- 8-32 X 3/8" Pan Hd. Thread forming screw is Part #237-5821-00.

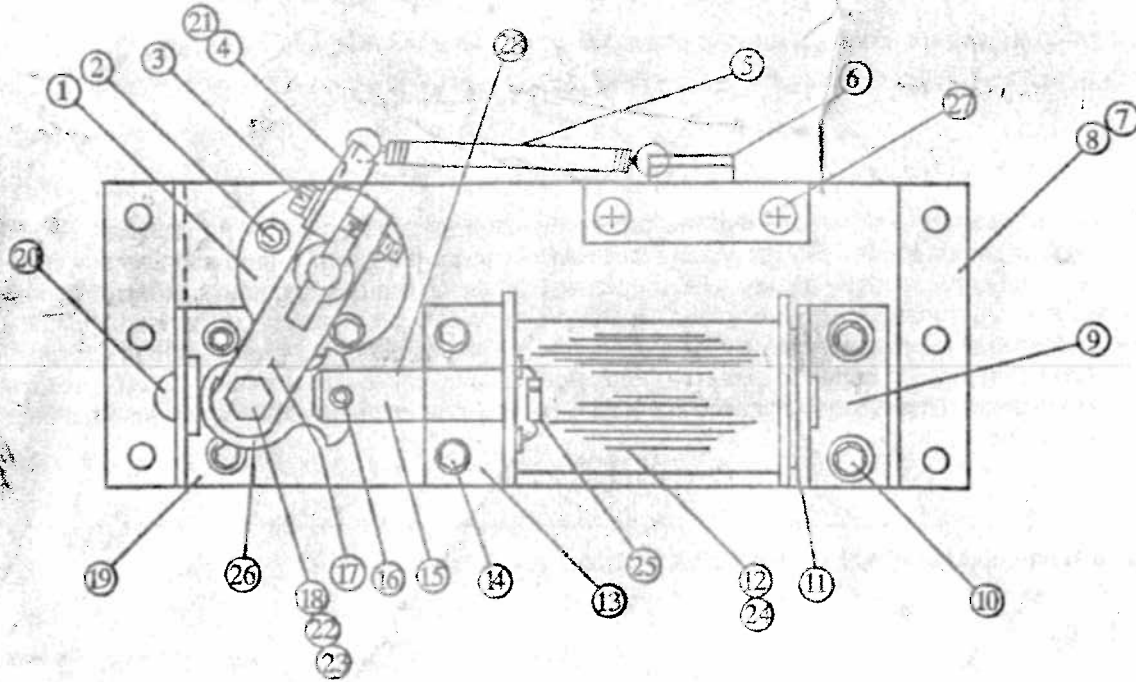
Item 28 - Added 515-5052-00 Plunger & Link Assembly.

Page 37

The Fulcrum Bracket on the Ball Feed Assembly becomes 535-6446-01.

Page 41

The part # for the Myliner on the Gun Assembly is 545-5352-00.



| Item | Description | Part # | Item | Description | Part # |
|------|--|-------------|------|--|-------------|
| 1 | Flipper Bushing | 545-5070-00 | 15 | Plunger, Link & Pawl | 515-5051-01 |
| 2 | #6 x ³ / ₈ Hex Hd. scr. | 234-5000-00 | 16 | Pin | 251-5000-00 |
| 3 | #10-32 x ³ / ₄ Soc. Hd. scr. | 237-5864-00 | 17 | Pawl | 530-5070-00 |
| 4 | Spring Brkt. (left) | 535-6469-00 | 18 | 10-32x ³ / ₄ Shoulder Bolt | 231-5019-00 |
| 5 | Flipper Return Spring | 265-5030-00 | 19 | Rebound Brkt. | 535-5939-00 |
| 6 | Spring Bracket | 535-6469-00 | 20 | Rubber Bumper | 280-5003-00 |
| 7 | Flipper Base (left) | 515-5077-01 | 21 | Spring Brkt. (right) | 535-6422-00 |
| 8 | Flipper Base (right) | 515-5077-02 | 22 | Bushing | 530-5139-00 |
| 9 | Coil Stop Brkt. | 515-5346-00 | 23 | 10-32 Elastic Stop Nut | 240-5206-00 |
| 10 | 1/4-20x ³ / ₈ Soc. Hd. scr. | 237-5861-00 | 24 | Coil Sleeve | 545-5031-00 |
| 11 | Spring Washer | 269-5002-00 | 25 | 1N4004 Diode | 112-5003-00 |
| 12 | Coil 23-1100 | 090-5030-00 | 26 | Flipper Link | 545-5219-00 |
| 13 | Front Brkt. | 515-5129-00 | 27 | #8-32x ³ / ₈ Pan Head | 237-5821-00 |
| 14 | #8 x ³ / ₈ Hex Hd. Scr. | 234-5100-00 | 28 | Plunger & Link Ass'y. | 515-5052-00 |

Flipper Assemblies

500-5606-73 Right

500-5606-74 Left